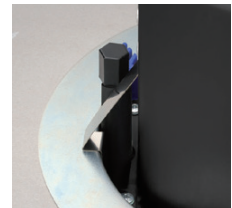
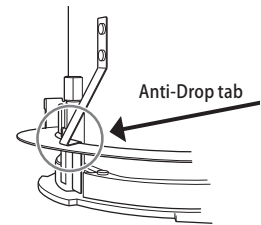


■ Features

A versatile line-up for clear consistent sound.

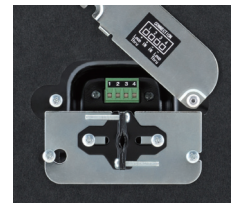
- Series offers three different woofer sizes in either black or white.
- Features newly customized transducers for superb music reproduction as well as crystal clear announcements.
- Designed with optimized bass-reflex tuning to offer a firm, tight low-end.
- Equipped with internal transformers that allow both high and low impedance drive, which can be selected by simply switching the tap on the baffle.
- Anti-Drop tab allows the speakers to be mounted temporarily in the ceiling for improved safety and ease of installation.
- A flexible carrying band makes the speakers very portable and allows carrying multiple speakers at once.
- Comes complete with O-rings and tile rails for safer and smoother installation.
- Overload protection circuit provided to protect speaker components.
- Comes with paintable speaker grilles for flexible design ideas.
- Supported by the dedicated software CISSCA (Commercial Installation Solutions Speaker Calculator).



■ General Specifications

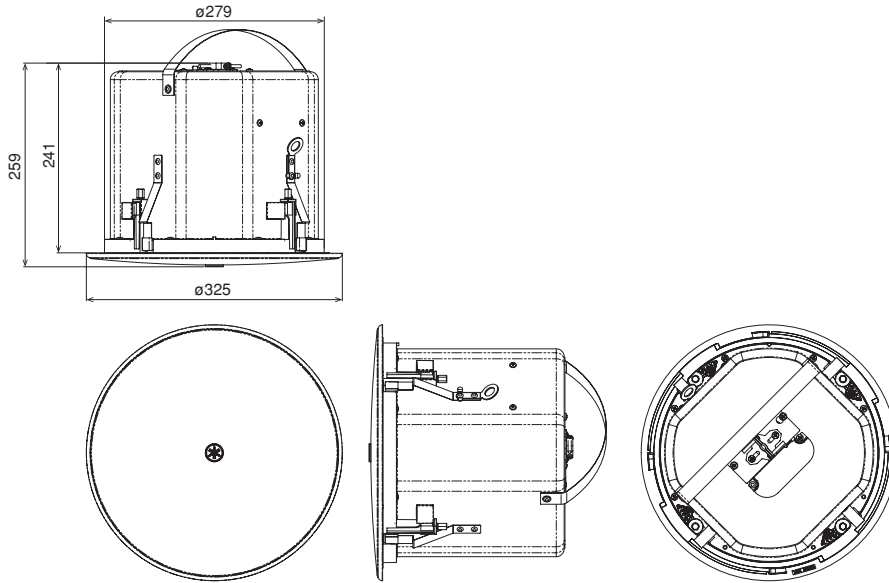
| Model | VXC8 / VXC8W | |
|-----------------------------------|--|--|
| Speaker Type | 2-way, Coaxial type, Acoustic Suspension | |
| Components | LF | 8" Cone |
| | HF | 1" Soft dome |
| Coverage Angle ^{*1} | 100° conical | |
| Nominal Impedance | 8Ω | |
| Power Rating ^{*2} | NOISE | 90W |
| | PGM | 180W |
| Sensitivity ^{*3} (1W,1m) | 90dB SPL | |
| Maximum SPL (Calculated, 1m) | 116dB SPL | |
| Frequency Range ^{*3} | -10dB | 55Hz - 20kHz |
| Connectors | 1x Euroblock (4P) (Input: + / -, Loop Thru: + / -) | |
| Transformer Taps | 70V | 60W (83Ω), 30W (170Ω), 15W (330Ω), 7.5W (670Ω) |
| | 100V | 60W (170Ω), 30W (330Ω), 15W (670Ω) |
| Color (Grille) | VXC8: Black / VXC8W: White | |
| Dimensions (Diameter x D) | Ø325 x 259mm (Ø12.8" x 10.2") | |
| Weight | 6.6kg (14.5lbs) | |
| Required Ceiling Thickness | 5 - 35mm | |
| Ceiling Cutout Hole Diameter | 285mm | |
| Included accessories | O-ring, Tile Rail, Cutout Template, Screws, Owner's Manual | |

*1 500Hz - 4kHz *2 IEC *3 Half space

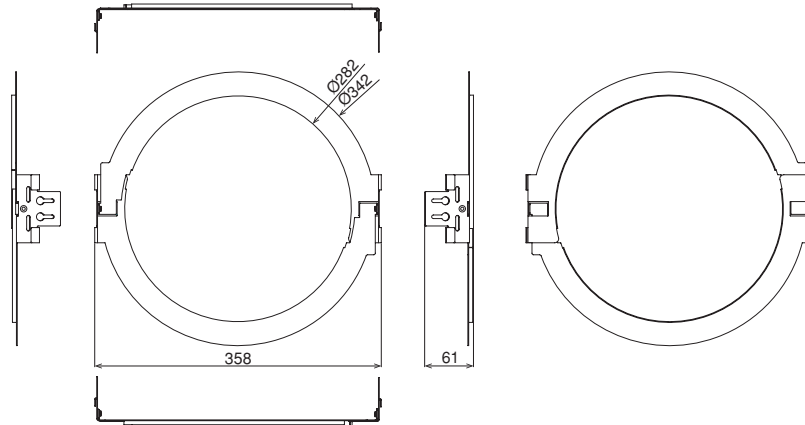


■ Dimensions

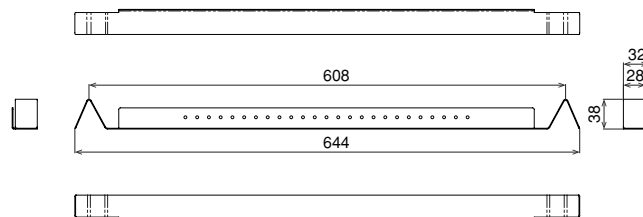
Unit: mm



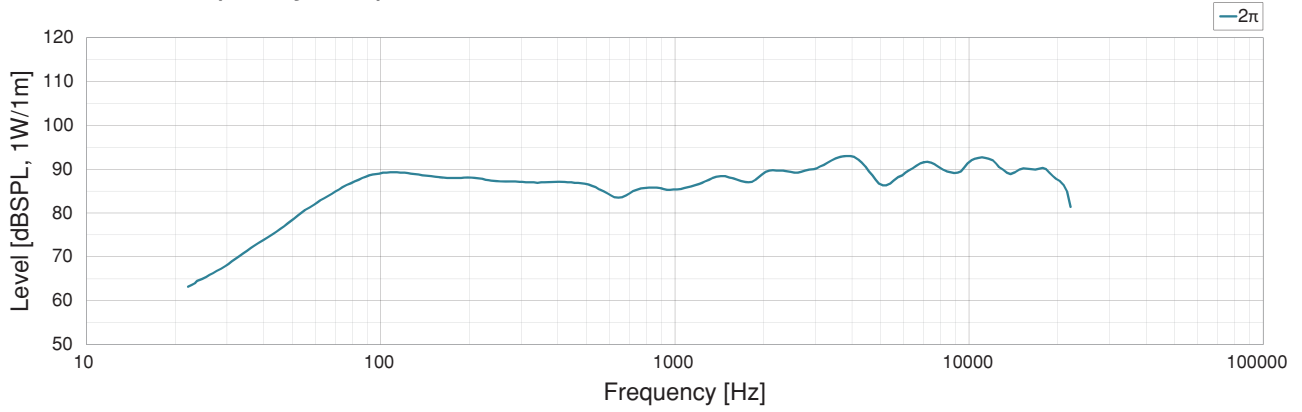
O-ring



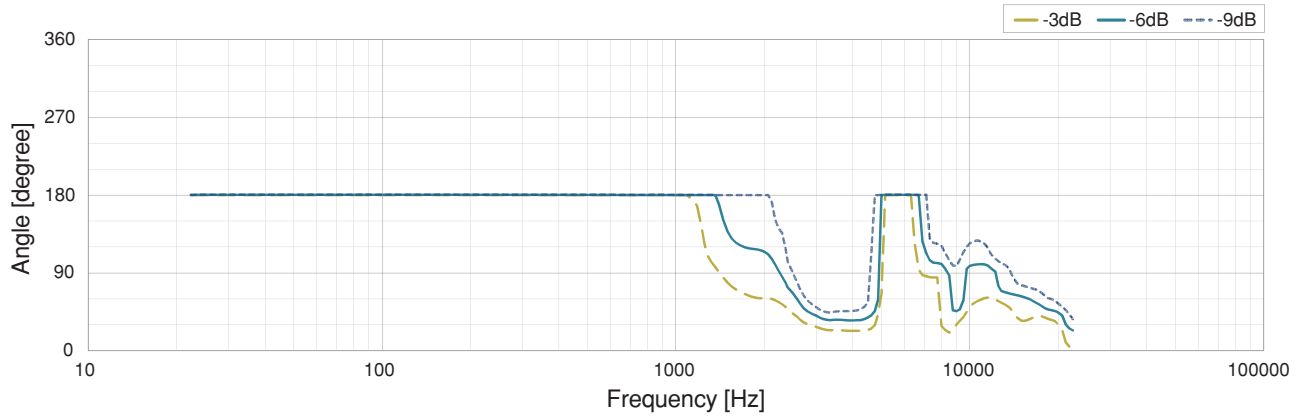
Tile Rail



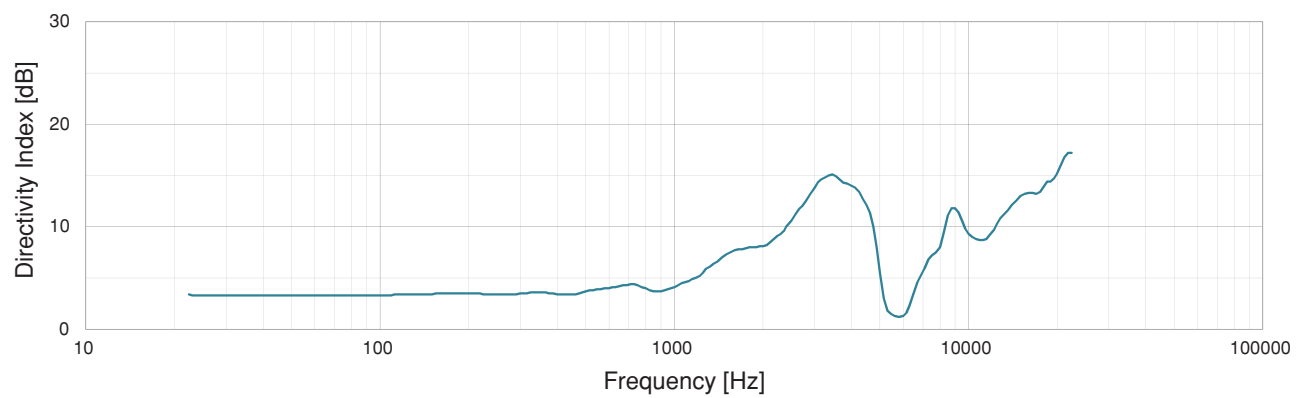
On-axis Frequency Response



Beamwidth



Directivity Index



Polar Plots
