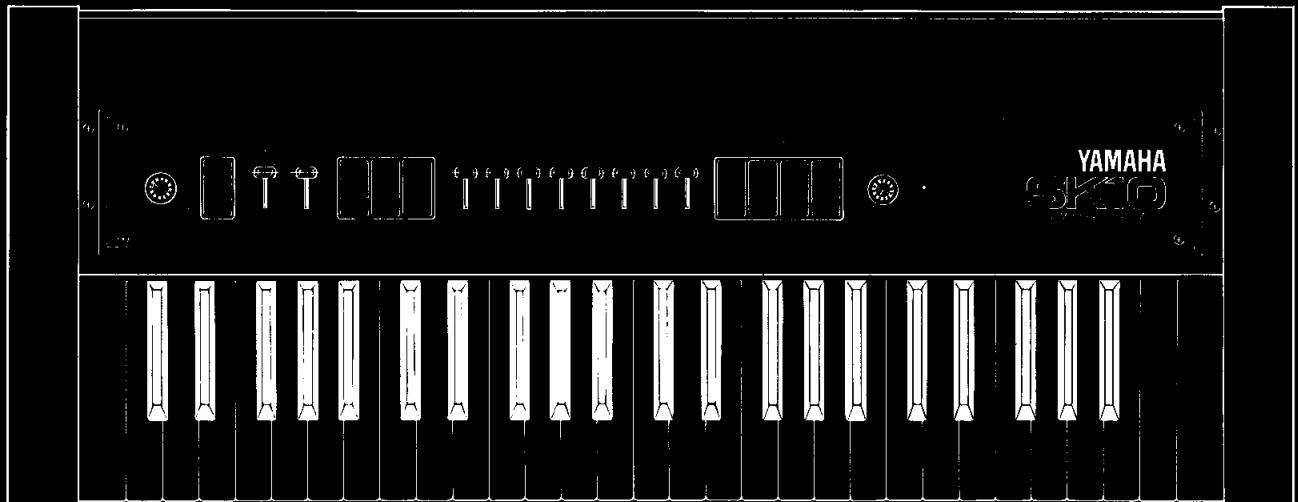


YAMAHA

SK10

SYMPHONIC ENSEMBLE

OWNER'S MANUAL



SYMPHONIC ENSEMBLE SK10

Thank you for your purchase of YAMAHA SYMPHONIC ENSEMBLE SK10.

The SK10 is a highly versatile instrument with 49 keys that combines a combo organ with a natural sounding string ensemble. It uses 1-chip large-scale-integrated circuit and the latest electronics technology to provide a wide range of tonal effects including vibrato, sustain, attack and ensemble. The layout of the controls is streamlined so that you can create the sound best suited to your requirements.

Before using the SK10, read through these instructions and familiarize yourself with the various functions. You will then be ready to start making a dynamic sound.
SK10 operating instructions.

CONTENTS

CAUTION: READ THIS FIRST	3
FRONT PANEL AND CONTROLS	4
REAR PANEL AND CONNECTIONS	6
SPECIFICATIONS · COMPASS	7

CAUTION : READ THIS FIRST

[INSTALLATION/LOCATION]

Do not use this unit in any of the locations mentioned below, as this may impair the sound quality or result in failure or breakdown.

- * Location near a window where the unit may be exposed to direct sunlight or other extremely hot locations.
- * Locations with a particularly low temperature.
- * Locations exposed to high levels of moisture or dust.
- * Locations susceptible to vibration.

[TAKE CARE OF THE POWER CORD]

In order to prevent cord breakage and shortcircuits, take hold of the plug, not the actual cord, when disconnecting it from the power outlet. If the unit is not to be used for prolonged periods of time, disconnect the plug from the power outlet.

[MOVING THE UNIT]

Make sure that you disconnect the power cord and detach connecting cables to other equipment before moving the unit.

[CONNECTING AND DISCONNECTING OUTPUT CORDS]

If the output cords are connected or disconnected when the volume level should always be set with care, as the application of excessive input to the amplifier may cause damage to the amplifier or speakers. Always remember to switch off the power switch before connecting and disconnecting the output cords.

[MAINTAINING THE UNIT]

Do not wipe the unit with benzine or thinner, and do not use aerosol sprays in its vicinity. Always use a soft cloth to wipe the unit.

[THUNDER STORMS]

Remember to disconnect the power plug from the power outlet whenever there is a thunderstorm in order to prevent accidents resulting from lightning.

FRONT PANEL AND CONTROLS

① PITCH control

Use this to adjust the pitch. The pitch rises when the control is rotated clockwise from the '0' reference position, and conversely it falls when the control is rotated counterclockwise. This control is handy for ensembles with other musical instruments.

* Variable pitch range:
438 to 452Hz

② TRANPOSE button

When this button is depressed, the pitch is raised by one octave.

③ VIBRATO lever

With this lever it is possible to produce a vibrato effect where the sound, yielded by the fingers with stringed instruments and by the lips with wind instruments, is vibrated finely.

● SPEED control:

Used to adjust the vibrato speed. The further the lever is set toward "F", the faster the vibrato effect produced.

● DEPTH control:

Used to adjust the vibrato depth. The further the lever is set toward "10", the deeper the vibrato effect produced.

⑦ TONE levers

Select the organ, string or brass instrument sound and adjust it with these levers.

The further the lever is slid toward "10", the louder the sound becomes. To produce an ensemble effect, simply select one of the ENSEMBLE (8) buttons.

● ORGAN:

Used to adjust the 8', 4' and 2' organ sound.

● STRING:

Used to adjust the 8' and 4' string sound.

● BRASS:

Used to adjust the 8' and 4' brass sound.

⑧ ENSEMBLE buttons

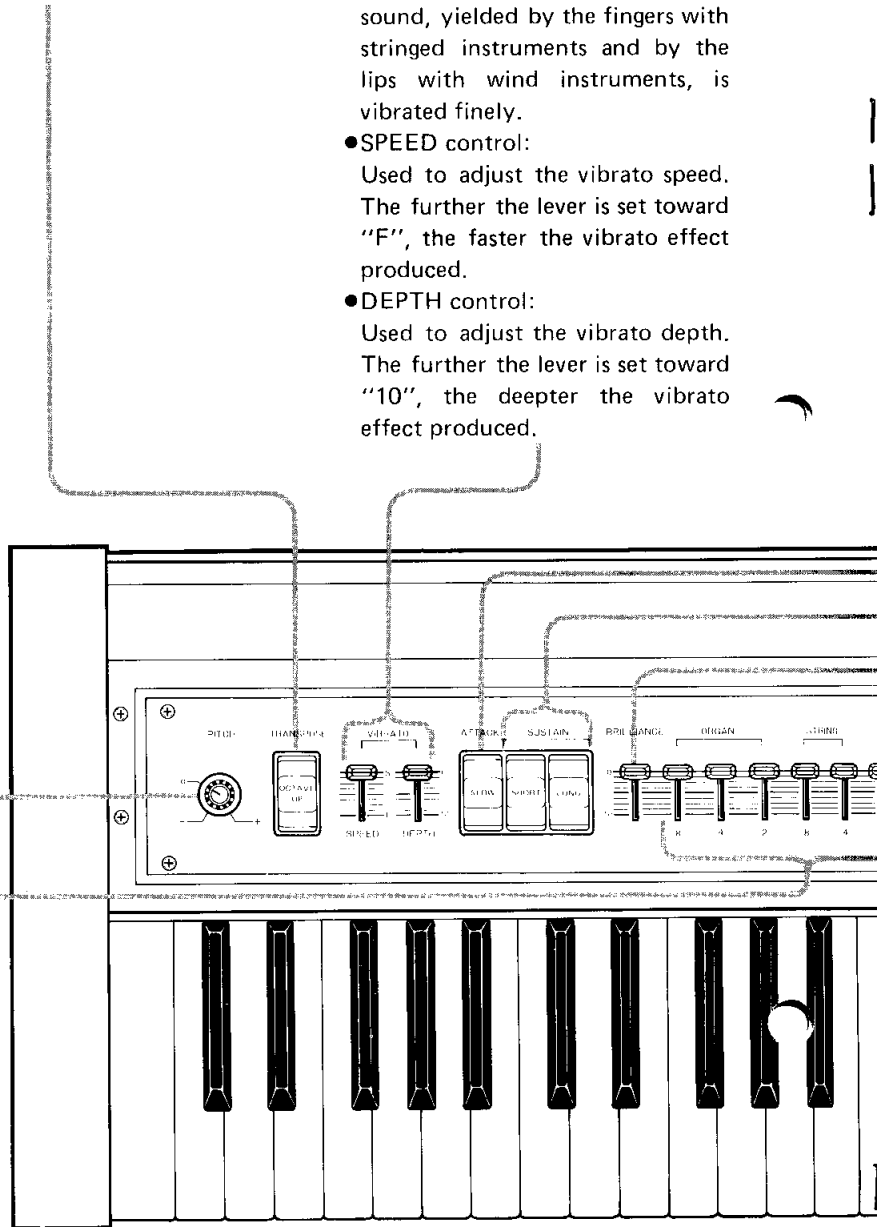
These buttons are used to create an ensemble effect along with the organ, string and brass sounds.

● ORGAN: Depress this button to add an ensemble effect to the organ sound adjusted with the tone lever.

● STRING: Depress this button to add an ensemble effect to the string sound adjusted with the tone lever.

● BRASS: Depress this button to add an ensemble effect to the brass sound adjusted with the tone lever.

● SPEED: This is used to set the ensemble effect speed to slow ('1') or fast ('2').



FRONT PANEL AND CONTROLS

④ ATTACK button

Depress this button when playing soft tunes to relax by. This has the effect of softening the rise of the sound.

⑤ SUSTAIN buttons

With one or both of these buttons depressed, the sound does not fade away immediately when the keys are released but is sustained even after that.

● SHORT button:

When this is depressed, the sustain effect of shorter duration is obtained.

● LONG button:

When this is depressed, the sustain effect of longer duration is obtained.

* When both LONG and SHORT buttons are depressed simultaneously, LONG takes priority.

⑥ BRILLIANCE lever

This control is designed to make bright tunes even brighter. When the lever is slid to the "10" side, the whole sound takes on added brilliance.

⑨ VOLUME control

This is used to adjust the overall level of the sound. When rotated clockwise, the volume increases and when rotated counterclockwise, the volume is reduced.

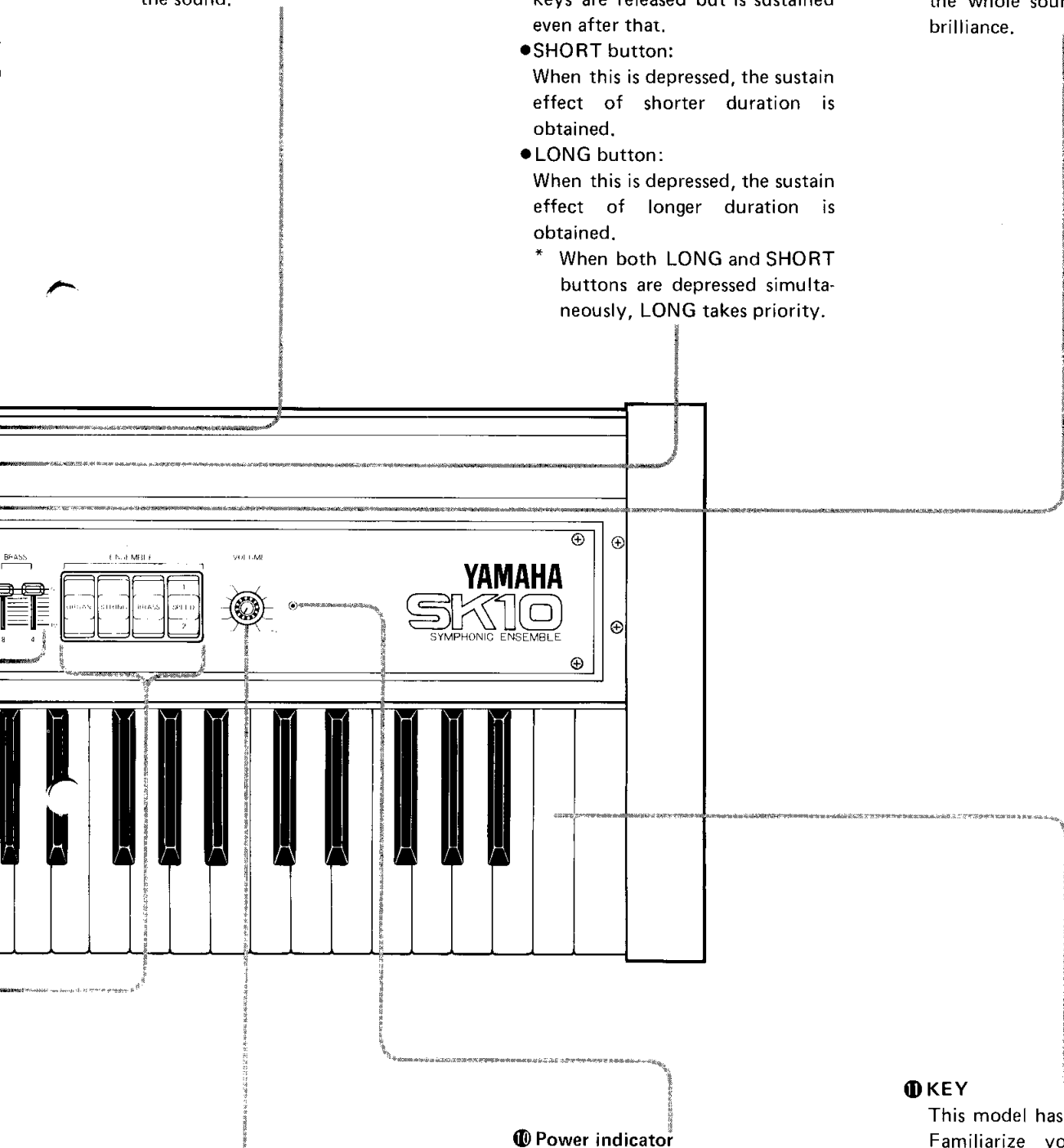
⑩ Power indicator

When the rear panel power switch is turned on, this red light-emitting diode lights up to indicate that power is being supplied. It goes off when the power switch is turned off.

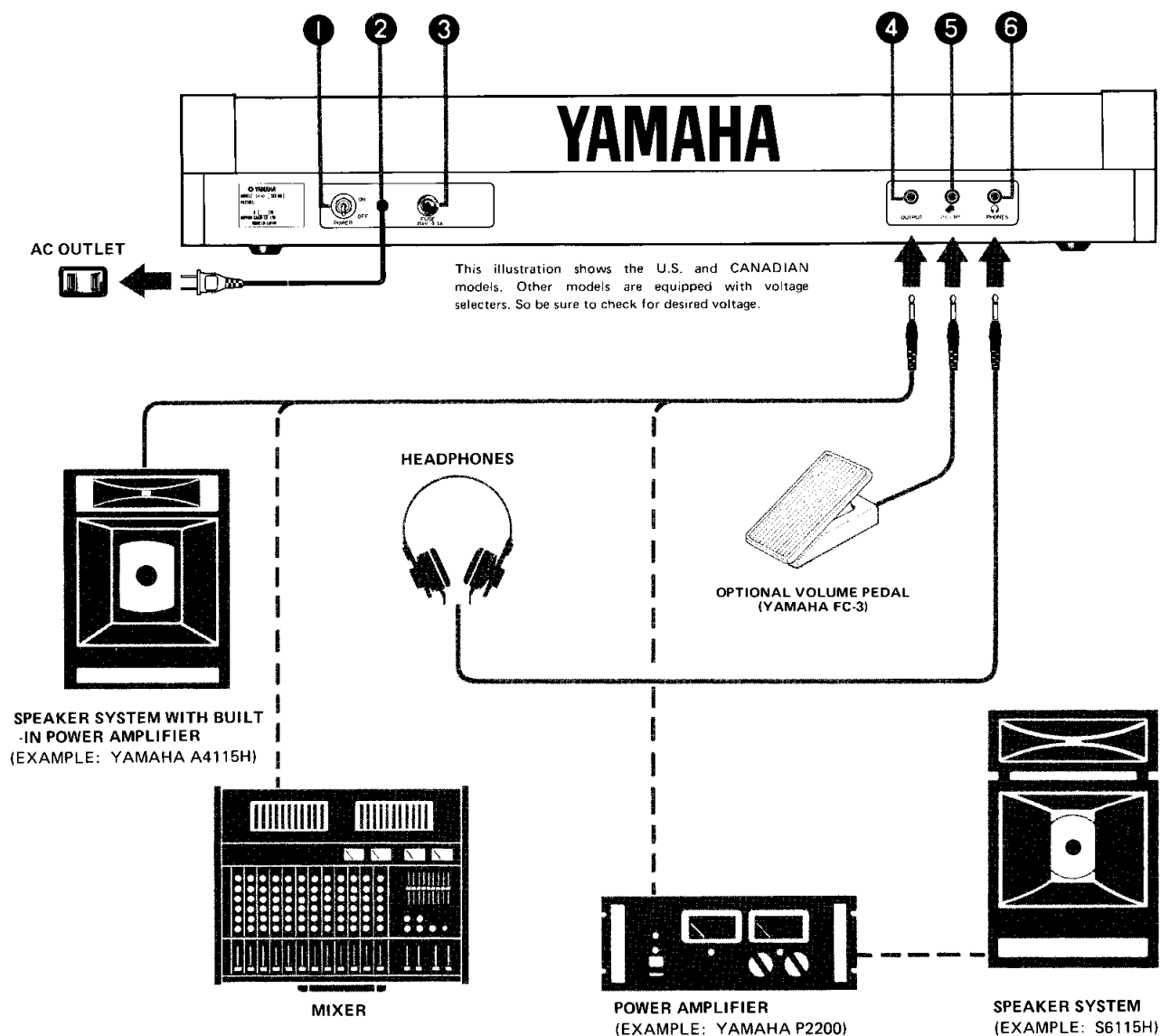
⑪ KEY

This model has a total of 49 keys. Familiarize yourself thoroughly with the model's tone levers and buttons and then start using the many effects to create your own sound!

* Rear panel functions and connections



REAR PANEL AND CONNECTIONS



1 POWER switch

When this switch is set to ON, the power is supplied to the model and the POWER indicator (LED) on the front panel lights. The power is switched off at the OFF position.

2 Power cord

Connect this to an AC power outlet.

3 FUSE holder

When the fuse blows, be sure to replace with the same type fuse.

If the new fuse, used to replace a blown fuse, also blows, it means that there is trouble inside the unit. In cases like this, contact your nearest YAMAHA dealer.

4 OUTPUT jack

This jack carry the signals of the model. Connect it to a power amplifier, speakers with a built-in power amplifier or to a mixer.

*The model's output level and impedance is $-10\text{dBm}/600\text{ ohms}$ (with 8', 4', 2' organ tone levers, C2-C3 push-8 keys).

5 VOLUME pedal jack

The volume can be adjusted with your foot if the optional volume pedal (YAMAHA FC-3) is connected to this jack.

6 PHONES jack

Used when listening to the sound without connecting the speaker system or when monitoring one's own sound during the performance.

Adjust the volume of the headphones using the front panel VOLUME control 9 .

SPECIFICATIONS • COMPASS

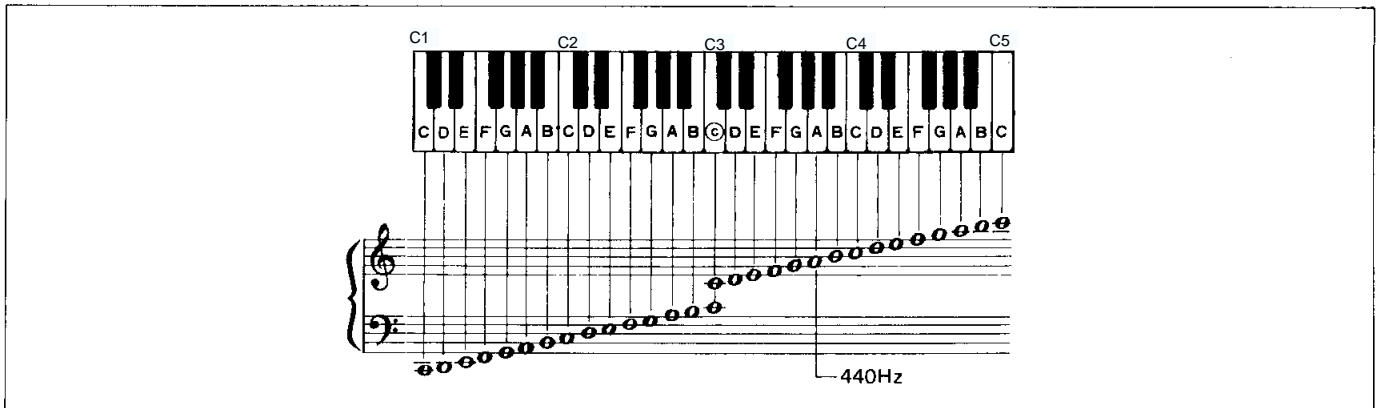
SPECIFICATIONS

Keys 49 keys (C1-C5)
Controls PITCH 438 ~ 452Hz
 TRANPOSE (1 oct. up)
 VIBRATO SPEED 5 ~ 7Hz
 DEPTH
 ATTACK SLOW
 SUSTAIN SHORT 0.5 sec
 LONG 1.0 sec
 BRILLIANCE
 VOLUME
Tone Levers ORGAN 8', 4', 2'
 STRING 8', 4'
 BRASS 8', 4'
Ensemble ORGAN, STRING, BRASS, SPEED

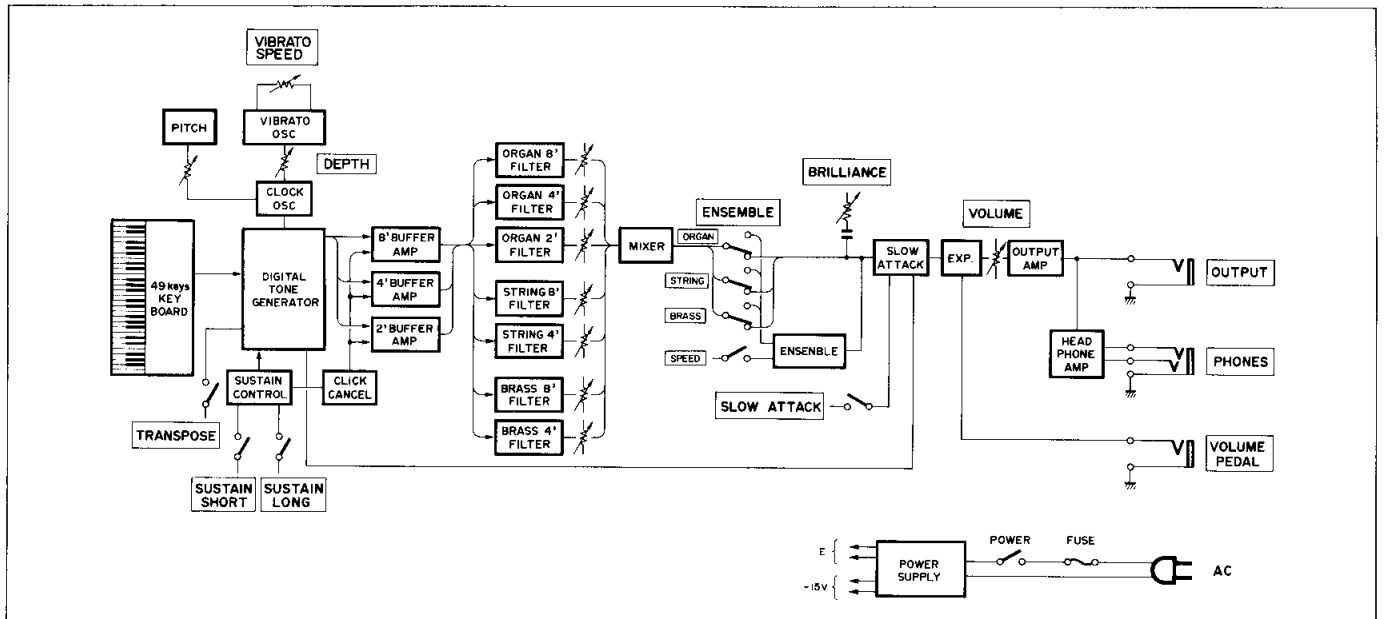
Jacks OUTPUT
 VOLUME
 PHONES (STEREO 8Ω)
Power Supply U.S.A. & Canadian model
 AC 120V, 60Hz
 N. European models
 AC110-120V/220-240V, 50/60Hz
Power Consumption U.S.A. model 13W
 Canadian model 13VA
 N. European model 13W
Dimensions W x H x D 818 x 132 x 316mm
 (32-1/4" x 5-1/4" x 12-1/2")
Weight 12 kg (26 lbs 7 oz)
Finish Semi-gloss black panels,
 Rose wood-grain cabinet

Specifications subject to change without notice.

COMPASS



BLOCK DIAGRAM



SINCE 1887  **YAMAHA**
NIPPON GAKKI CO., LTD. HAMAMATSU, JAPAN