

YAMAHA

DAT
Digital Audio Tape

DTR 2



Professional Series Digital Audio Tape Recorder



**OWNER'S MANUAL
MODE D'EMPOI
BEDIENUNGSANLEITUNG**

Thank you for purchasing the YAMAHA DTR2 Digital Audio Tape Recorder.

SAFETY INSTRUCTIONS

	CAUTION RISK OF ELECTRIC SHOCK DO NOT OPEN	
<p>CAUTION: TO REDUCE THE RISK OF ELECTRIC SHOCK, DO NOT REMOVE COVER (OR BACK) NO USER-SERVICEABLE PARTS INSIDE, REFER SERVICING TO QUALIFIED SERVICE PERSONNEL.</p>		

• Explanation of Graphical Symbols



The lightning flash with arrowhead symbol, within an equilateral triangle, is intended to alert you to the presence of uninsulated "dangerous voltage" within the product's enclosure that may be of sufficient magnitude to constitute a risk of electric shock to persons.



The exclamation point within an equilateral triangle is intended to alert you to the presence of important operating and maintenance (servicing) instructions in the literature accompanying the appliance.

WARNING: CHEMICAL CONTENT NOTICE!

The solder used in the manufacture of this product contains LEAD. In addition, the electrical/electronic and/or plastic (where applicable) components may also contain traces of chemicals found by the California Health and Welfare Agency (and possibly other entities) to cause cancer and/or birth defects or other reproductive harm.

DO NOT REMOVE ANY ENCLOSURE COMPONENTS! There are no user serviceable parts inside. All service should be performed by a service representative authorized by Yamaha to perform such service.

IMPORTANT MESSAGE: Yamaha strives to produce products that are both user safe and environmentally "friendly". We sincerely believe that our products meet these goals. However, in keeping with both the spirit and the letter of various statutes we have included the messages shown above and others in various locations in this manual.

FCC INFORMATION (U.S.A.)

- IMPORTANT NOTICE: DO NOT MODIFY THIS UNIT!**
This product, when installed as indicated in the instructions contained in this manual, meets FCC requirements. Modifications not expressly approved by Yamaha may void your authority, granted by the FCC, to use the product.
- IMPORTANT:** When connecting this product to accessories and/or another product use only high quality shielded cables. Cable/s supplied with this product **MUST** be used. Follow all installation instructions. Failure to follow instructions could void your FCC authorization to use this product in the USA.
- NOTE:** This product has been tested and found to comply with the requirements listed in FCC Regulations, Part 15 for Class "B" digital devices. Compliance with these requirements provides a reasonable level of assurance that your use of this product, in a residential environment, will not result in harmful interference with other electronic devices.
This equipment generates/uses radio frequencies and, if not installed and used according to the instructions found in the users manual, may cause interference harmful to the operation of other electronic devices. Compliance with FCC regulations does not guarantee that interference will not occur in all installations. If this product is found to be the source of interference, which can be determined by turning the product "OFF" and "ON", please try to eliminate the problem using one of the following measures:

Relocate either the product generating the interference of the device that is being affected by the interference.

Utilize power outlets that are on different branch (circuit breaker or fuse) circuits or install AC line filter/s.

In the case of radio or TV interference, relocate/reorient the antenna. If the antenna lead-in is 300 ohm ribbon lead, change the lead-in to coaxial type cable.
If these corrective measures do not produce satisfactory results, please contact your local retailer that is authorized to distribute this type of product. If you cannot locate the appropriate retailer, please contact Yamaha Corporation of America, Electronic Service Division, 6600 Orangethorpe Ave., Buena Park, CA90620

The above statements apply **ONLY** to those products distributed by Yamaha Corporation of America or its subsidiaries.

For Canada model

THIS DIGITAL APPARATUS DOES NOT EXCEED THE 'CLASS B' LIMITS FOR RADIO NOISE EMISSIONS FROM DIGITAL APPARATUS SET OUT IN THE RADIO INTERFERENCE REGULATION OF THE CANADIAN DEPARTMENT OF COMMUNICATIONS.

CAUTION: READ THIS BEFORE OPERATING YOUR UNIT.

1. This unit is a sophisticated digital audio tape recorder. To ensure proper operation for the best possible performance, please read this manual carefully.
2. Before using this unit for the first time, wait 1 to 2 hours after plugging the AC power cord into the wall outlet.
3. Choose the installation location of your unit carefully. Avoid placing it in direct sunlight or close to a source of heat. Also avoid locations subject to vibration and excessive dust, heat, cold or moisture. Keep it away from sources of hum such as transformers or motors. If interference in TV or radio reception occurs during operation, increase the distance between the two components.
4. Do not open the cabinet as this may result in damage to the deck or electrical shock. If a foreign object should drop into the deck, contact your local dealer.
5. When removing the power plug from the wall outlet, always pull directly on the plug; never pull the cord itself.
6. Do not apply excessive force when operating switches and knobs.
7. When moving the deck, be sure to first pull out the power plug and remove all cords connecting the deck to other equipment.
8. Do not attempt to clean this unit with chemical solvents as this may damage the finish. Use a clean, dry cloth.
9. If the unit does not work properly while in use, after turning the POWER switch OFF, disconnect the AC power cord plug from the AC outlet and wait for about 30 seconds. After that, connect it again to operate.
10. Be sure to read the "Troubleshooting" section of this manual for advice on common operating errors before concluding that your unit is faulty.
11. Keep this manual in a safe place for future reference.

Cleaning the head

When the head is slightly dirty, noise is heard or dropouts occur during playback. If the head becomes excessively dirty, a signal read error occurs during playback, and the sound cannot be heard. At this time, the "WARNING" indicator appears. If this occurs, use a commercially available digital audio cleaning tape or have your Yamaha dealer clean the head. After prolonged use, the head may require replacement due to wear. Consult your Yamaha dealer.

On drum life

It is recommended to replace the head drum with a new one within about 1,500 hours of use.

Dew condensation

Dew is the moisture that collects on a cold object in a warm room. Dew can form on the drum and head inside the tape deck causing damage to tapes and head. This unit contains a dew prevention heater. Once the unit is connected to an AC outlet, the heater turns on to prevent dew from forming. It takes from 1 to 2 hours to remove dew. When dew is detected on the drum and head, the "DEW" indicator appears and the unit does not operate. Wait about 1 to 2 hours after the display returns to normal before using the unit.

Dew forms easily:

In highly humid and steamy rooms.

When carrying the unit from a cold place to a warm room.

* Use the unit at room temperatures from 5° C to 35° C. Dew forms especially easily in cold temperature regions.

Amplifier volume adjustment

Digital audio tapes produce considerably less noise than regular records and cassette tapes, and are extremely quiet between programs. Be careful not to raise the volume too high and exceed the amplifier and speaker ratings.

Recommended amplifier input impedance is 600 ohms or higher. Connecting an amplifier (or other external audio device) having an input impedance that is too low may decrease the level of the output.

Rack mount

The front panel of this unit conforms to the 2U size standards and can directly be installed in the 19 inch rack. However, if the space of the rack is small, remove 4 legs from the bottom panel, then install the unit in the rack. If the rack is not well ventilated, the temperature inside the rack becomes high. Be sure to keep the rack well ventilated.

WARNING: THIS APPARATUS MUST BE EARTHED

IMPORTANT: The wires in this mains lead are coloured in accordance with the following code:

Green- and -yellow: Earth
Blue: Neutral
Brown: Live

As the colours of the wires in the mains lead of this apparatus may not correspond with the coloured markings identifying the terminals in your plug proceed as follows:

The wire which is coloured green- and -yellow must be connected to the terminal in the plug which is marked by the letter E or by the safety earth symbol \perp or coloured green or green- and -yellow.

The wire which is coloured blue must be connected to the terminal which is marked with the letter N or coloured black.

The wire which is coloured brown must be connected to the terminal which is marked with the letter L or coloured red.

TABLE OF CONTENTS

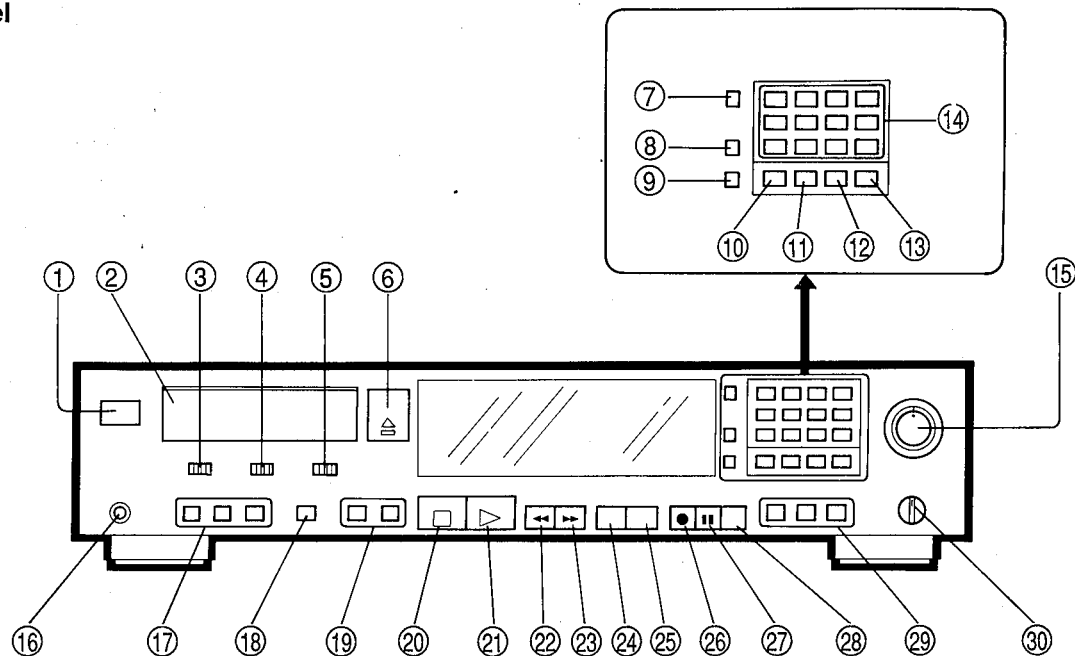
Features	4	Start ID signals and tune numbers	19
Names of controls	5	End ID signals	20
Connections	10	Playback	22
DAT (Digital Audio Tape)	13	Troubleshooting	29
Loading and unloading cassettes	15	Specifications	30
Recording	16		

FEATURES

- APMS function allows you to program up to 30 tunes in any desired order
- APSS function skips to the beginning of previous/subsequent tunes
- Direct tune selection function allows you to quickly play any tune by simply entering its number
- ABS Search function allows you to locate any desired position on the tape by its absolute time (elapsed time from the start of the tape)
- Repeat function repeatedly plays all the tunes on the tape or in a program
- Skip Playback function skips undesirable sections of the tape
- Automatic tune number recording function automatically writes tune numbers on the tape during recording
- Convenient renumbering function allows you to renumber tunes after editing
- End Search function makes it easy to continue a recording from the end of a previous recording
- Cue/Review function lets you listen to the sound while fast-forwarding or rewinding
- Fast search speed of up to 200 times the normal playback speed
- Usable sampling frequencies of 48 kHz, 44.1 kHz, and 32 kHz allow you to record/play a wide variety of digital sources
- Equipped with balanced type analog input/output jacks (XLR-3-31/XLR-3-32)
- Equipped with two types of digital jacks (coaxial pin jack, optical connector)
- Employs a theoretically distortion-free 1-bit A/D converter in the A/D converter circuit, providing high-grand sound quality
- Combination of digital filter and 1-bit PDM D/A converter provides superior sound quality
- Two direct drive motors provide stable tape transport

NAMES OF CONTROLS

Front panel



- ① **POWER switch**
Turns the power on and off.
- ② **Cassette holder**
Holds the digital audio tape.
- ③ **INPUT selector**
Set to DIGITAL to record from an audio source connected to the DIGITAL INPUT terminals. Set to ANALOG to record from an audio source connected to the ANALOG INPUT terminals.
- ④ **REC fs (Recording Sampling Frequency) selector**
When recording is performed using the ANALOG INPUT terminals, the sampling frequency can be switched to 44.1 kHz or 48 kHz.
- ⑤ **SKIP PLAY switch**
Switches the skip play function.
- ⑥ **OPEN/CLOSE button (▲)**
Press to open the cassette holder, press again to close it.
- ⑦ **DISPLAY button**
Selects either absolute time (ABS) or individual tune playback time (PROG) or tape counter (COUNTER). When tapes which contain "TOC" signals are used, the total number of tunes and total playback time are displayed.
- ⑧ **COUNTER RESET button**
Press to reset the tape counter (0000).
● Only effective in counter display mode.
- ⑨ **REPEAT button**
Press to continuously repeat playback.
- ⑩ **PROGRAM button**
Used for programming tunes.
- ⑪ **CLEAR button**
Press to clear the input digit or programmed tune No.
- ⑫ **CALL button**
Press to check the program contents.
- ⑬ **ABS (Absolute) TIME button**
Press to input the specified time for absolute time search.
- ⑭ **Digit buttons**
Used to select desired tune numbers for program playback or direct playback. These buttons are also used to input the specified time for absolute time search.
- ⑮ **REC (Record) LEVEL control**
Used to adjust the recording level when recording from an audio source connected to the ANALOG INPUT jacks. This control can adjust the left and right channels independently.
- ⑯ **PHONES jack**
Connect stereo headphones to this jack.

①7 **START ID buttons**

AUTO WRITE: Press to automatically write the start ID signals and their tune numbers during recording.

WRITE: Used to write the start ID signal manually during recording or playback.

ERASE: Press to erase the start ID signal.

①8 **RENUMBER button**

Used to renumber the tunes in sequence from the beginning of the tape.

①9 **SKIP ID buttons**

WRITE: Press to write the skip ID signal. When the SKIP PLAY switch is set to ON, playback skips from the point where this button was pressed to the beginning of the next tune.

ERASE: Press to erase the skip ID signal.

②0 **STOP button (■)**

Press to stop the tape running.

②1 **PLAY button (▶)**

Press to start playback. When the REC button is pressed, pressing this button or the PAUSE button initiates recording.

②2 **REW (Rewind) button (◀◀)**

Press to rewind the tape.

When this button is pressed during playback, playback starts from the beginning of the current tune. To play the previous tune, press this button again (APSS).

②3 **FF (Fast forward) button (▶▶)**

Press to fast forward the tape.

When this button is pressed during playback, playback starts from the beginning of the next tune (APSS).

②4 **REVIEW button**

Press to rewind the tape while listening to its contents at approximately 3 times the normal speed.

②5 **CUE button**

Press to fast forward the tape while listening to its contents at approximately 3 times the normal speed.

②6 **REC (Record) button (●)**

Press to enter record stand-by mode. To start recording, press the PLAY button or PAUSE button.

②7 **PAUSE button (||)**

Press to stop playback or recording temporarily. To resume playback or recording, press the PLAY button or this button again.

②8 **REC MUTE button**

Press to create a blank section while recording. A blank section continues as long as the button is pressed.

②9 **END ID buttons**

WRITE: Press this button at the end of a recording. The end ID signal is written to indicate that point.

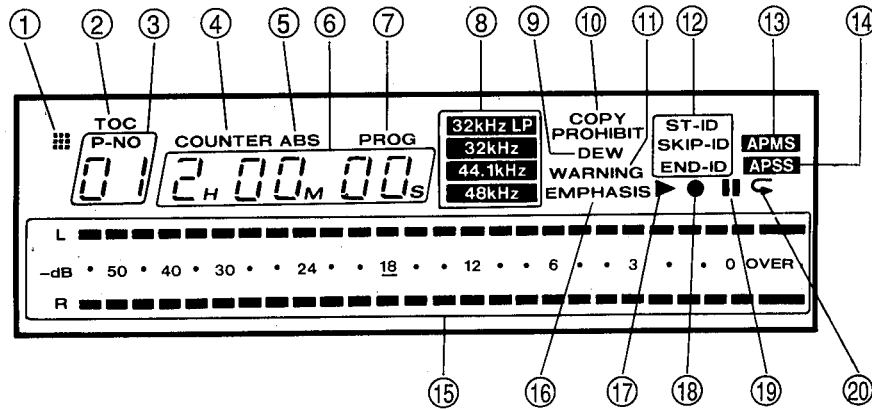
ERASE: Press to erase the end ID signal.

SEARCH: Press to search for the end ID signal. The tape rapidly goes to the end of a recording and recording can be easily started from that point.

③0 **PHONES LEVEL control**

Adjusts the volume of the headphones.

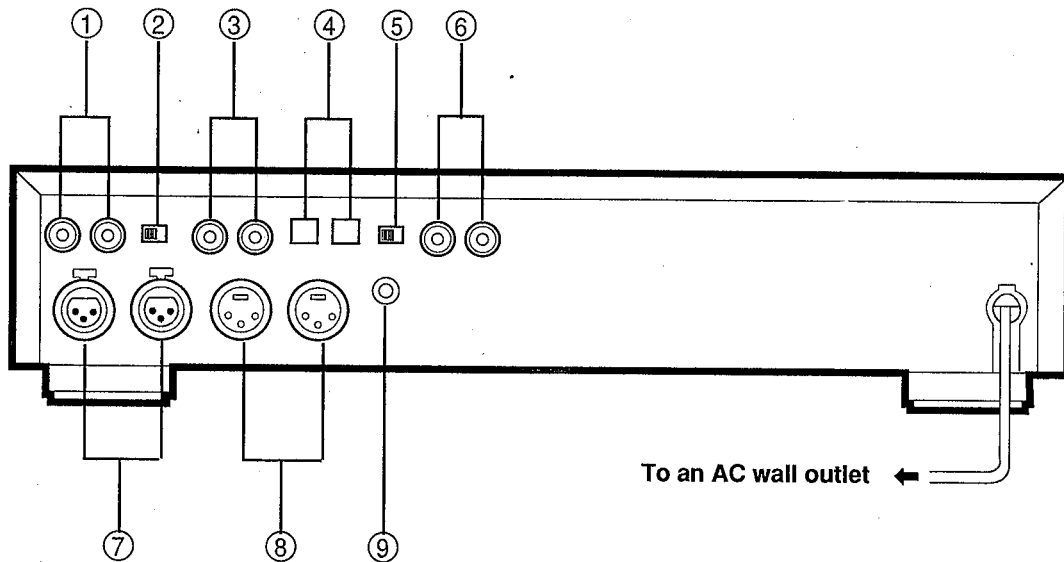
Display window



- ① **Remote control transmit indicator**
Lights when the remote control transmitter is operated.
- ② **TOC (Table of Contents) indicator**
Lights when a tape containing a TOC is played.
- ③ **Tune number display**
Indicates the tune number.
- ④ **COUNTER indicator**
Lights when the display is in counter mode.
- ⑤ **ABS (Absolute time) indicator**
Lights when the display shows ABS time (elapsed playing time from the beginning of the tape).
- ⑥ **Counter/ABS time/Tune playing time/Programmed tune number display**
Displays the tape counter reading, ABS time, tune playing time (elapsed playing time from the beginning of the current tune) or programmed tune number.
- ⑦ **PROG indicator**
Lights when the display shows the elapsed playing time from the beginning of the current tune.
- ⑧ **Sampling frequency indicators**
Light according to the sampling frequency of the audio signal.
- ⑨ **DEW indicator**
Appears when condensation occurs in this unit (drum, head, etc.).
- ⑩ **COPY PROHIBIT indicator**
Appears when a recording cannot be performed with a digital signal. In this case, record the source using the ANALOG jacks.
- ⑪ **WARNING indicator**
If the head becomes excessively dirty, a signal read error occurs during playback, and the sound cannot be heard. At this time, the "WARNING" indicator appears.
- ⑫ **ST-ID/SKIP-ID/END-ID indicators**
Light when the start ID, skip ID or end ID signal is detected, or flashes when it is written or erased.
- ⑬ **APMS (Automatic Programmable Music Selector) indicator**
Appears when programming or during program playback.
- ⑭ **APSS (Auto Program Search System) indicator**
Appears when the beginning of a tune is searched for.
- ⑮ **Peak level meter**
Displays the recording level or playback level.
- ⑯ **EMPHASIS indicator**
Appears when tapes recorded with emphasis are played, or when recording from a digital source on which emphasis is applied. The emphasis function reduces the noise of the high frequency level by boosting the high frequency level during recording (Pre-emphasis function) and lowering it during playback (De-emphasis function). This unit incorporates only the de-emphasis circuit. You can play or record emphasized signals but cannot newly apply emphasis to signals.
- ⑰ **Play indicator (▶)**
Lights when the PLAY button is pressed.
- ⑱ **Recording indicator (●)**
Lights when the REC button is pressed.
- ⑲ **Pause indicator (||)**
Lights when the PAUSE button is pressed, or in record stand-by mode.
- ⑳ **Repeat indicator (◀▶)**
Lights during repeat playback.

NAMES OF CONTROLS

Rear Panel



① **ANALOG INPUT jacks (unbalanced type pin-jacks)**

When these jacks are used for recording, adjust the input level with the REC LEVEL control.

② **ANALOG INPUT selector**

Used to select the analog input jacks between balanced type (XLR) and unbalanced type.

③ **ANALOG OUTPUT jacks (unbalanced type pin-jacks)**

Maximum output level is 2 V.

④ **OPTICAL DIGITAL INPUT/OUTPUT jacks**

These optical digital I/O jacks are based on EIAJ CP 340 specifications.

⑤ **DIGITAL INPUT selector**

Used to select the digital input jacks between OPTICAL and COAXIAL.

⑥ **COAXIAL DIGITAL INPUT/OUTPUT jacks**

These coaxial digital I/O jacks are based on IEC 958 specifications.

⑦ **ANALOG INPUT terminals (balanced type Cannon-jacks)**

The second pin is HOT.

⑧ **ANALOG OUTPUT terminals (balanced type Cannon-jacks)**

Reference level is +4 dBm.

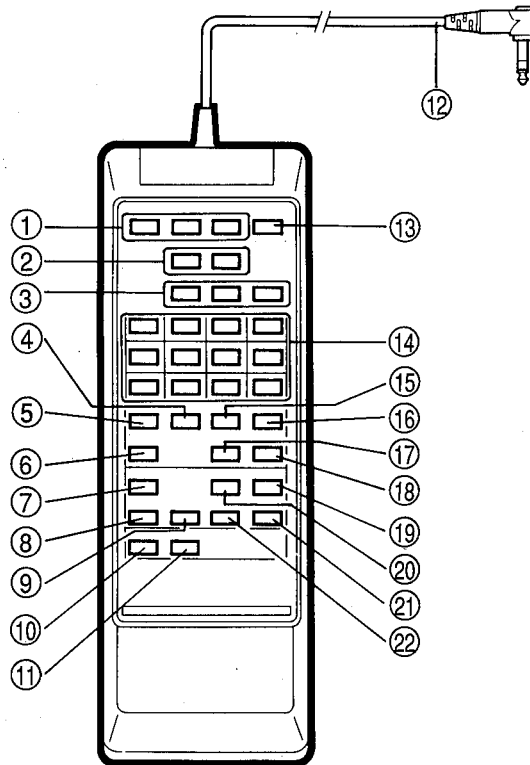
Pin assignment of the balanced type (XLR-3-31/XLR-3-32) connectors

⑨ **REMOTE jack**

Connect to the plug of the supplied remote control transmitter.

* Never connect a remote control unit other than the supplied remote control transmitter.

Wired remote control transmitter



① Start ID buttons

② Skip ID buttons

③ End ID buttons

④ Clear button

⑤ Program button

⑥ Repeat button

⑦ Open/close button (▲)

⑧ Stop button (■)

⑨ Play button (▶)

⑩ Record button (●)

⑪ Pause button (||)

⑫ Remote control cable

Connect to the REMOTE jack on the rear panel.

⑬ Renumber button

⑭ Digit buttons

⑮ Call button

⑯ Absolute time button

⑰ Display button

⑱ Counter reset button

⑲ Cue button

⑳ Review button

㉑ Fast forward button (▶▶)

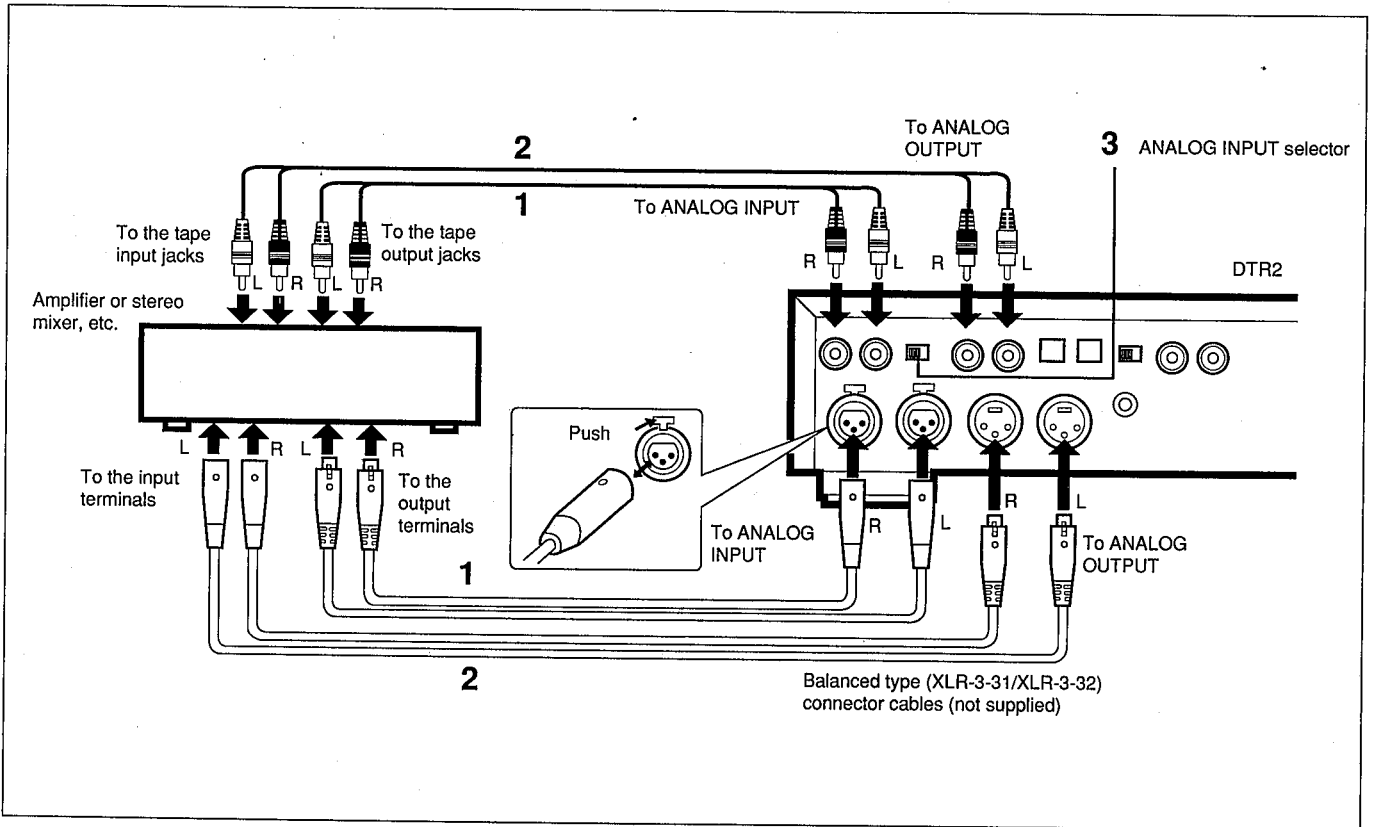
㉒ Rewind button (◀◀)

NOTES:

- All buttons have the same functions as those on the front panel.
- The remote control transmitter does not require any battery. Power is supplied from the REMOTE jack on the rear panel.

CONNECTIONS

Connecting an analog audio component



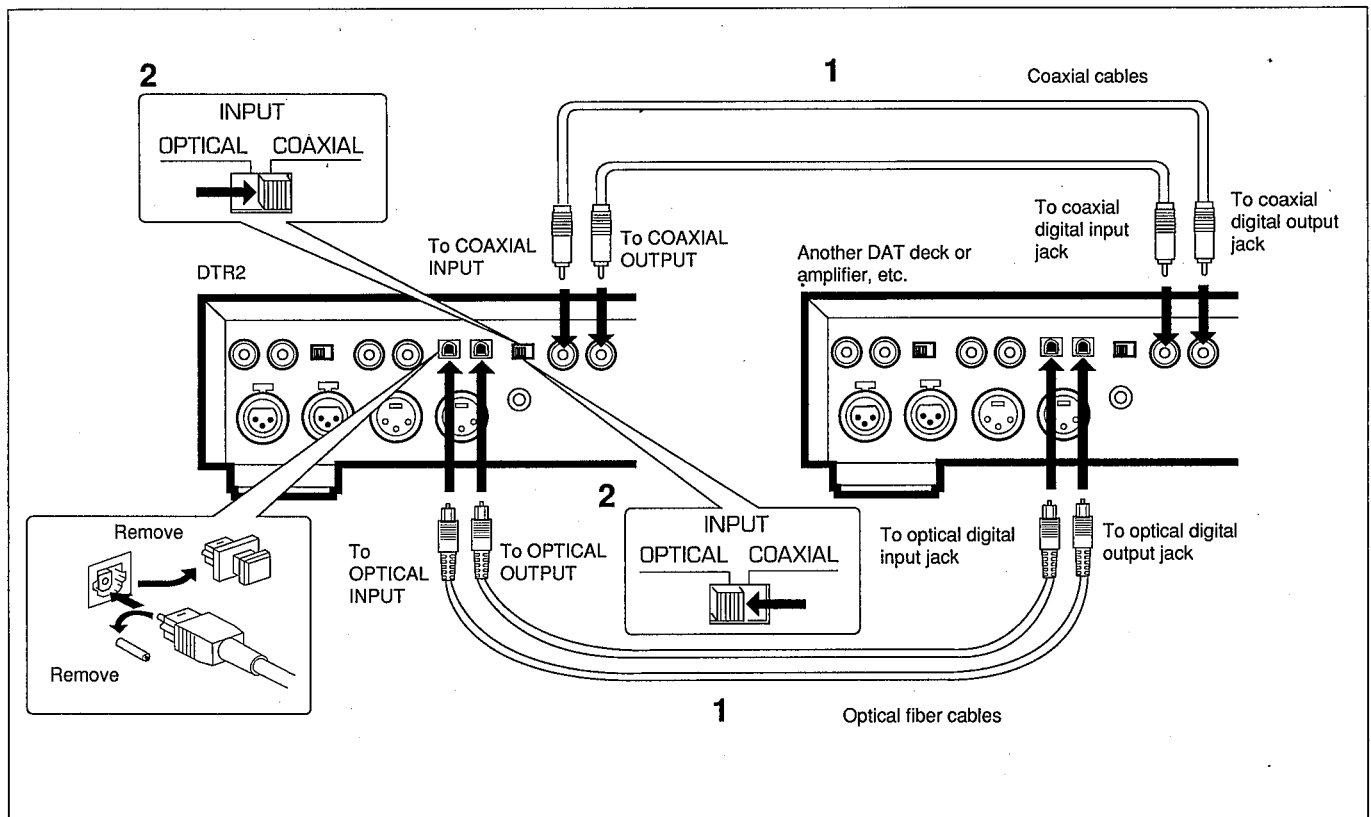
- Be sure to disconnect the power cords of both components from the AC outlet before connecting.
- The same channels of this unit and the other component should be connected properly; right to right, and left to left.

- 1 Connect the ANALOG INPUT jacks (balanced type or unbalanced type) of this unit to the analog output jacks of the amplifier or stereo mixer, etc.
- 2 Connect the ANALOG OUTPUT jacks (balanced type or unbalanced type) of this unit to the analog input jacks of the amplifier or stereo mixer, etc.
- 3 Set the ANALOG INPUT selector. When using the balanced type terminals, set this selector to the XLR position. When using the unbalanced type jacks, set this selector to the PIN position.

NOTE:

Make sure all connections are securely made. Loose connections may cause intermittent sound or noise.

Connecting to another digital audio tape deck, or an amplifier, etc. which has digital jacks



- When this unit is connected to another DAT deck, amplifier or other digital source, such as a CD player with digital jacks, digital-to-digital recording will be carried out.
- Be sure to disconnect the power cords of both components from the AC outlet before connecting.

NOTES:

- When the POWER switch is turned on, the inside of the OPTICAL OUTPUT jack illuminates red. This red light (which is completely harmless) is used to send the digital signal.
- Do not fold or bend the optical fiber cable because it damages easily.

When using the COAXIAL DIGITAL jacks

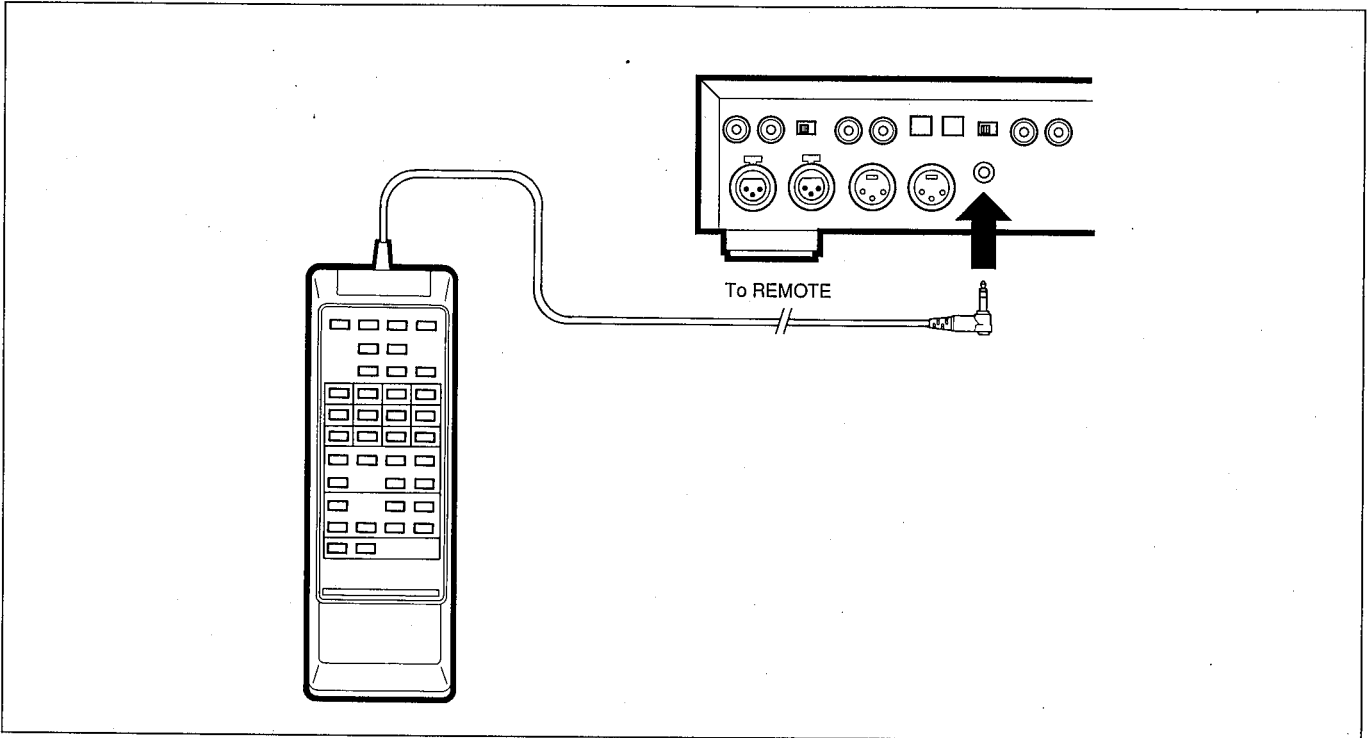
- 1 Connect the COAXIAL DIGITAL INPUT jack to the coaxial digital output jack and the COAXIAL DIGITAL OUTPUT jack to the coaxial digital input jack of another DAT deck, or amplifier, etc. using the coaxial cables.
- 2 Set the DIGITAL INPUT selector to the COAXIAL position.

When using the OPTICAL DIGITAL jacks

- 1 Connect the OPTICAL DIGITAL INPUT jack to the optical digital output jack and the OPTICAL DIGITAL OUTPUT jack to the optical digital input jack of another DAT deck, or amplifier, etc. using the optical fiber cables.
- 2 Set the DIGITAL INPUT selector to the OPTICAL position.

Connecting the remote control transmitter

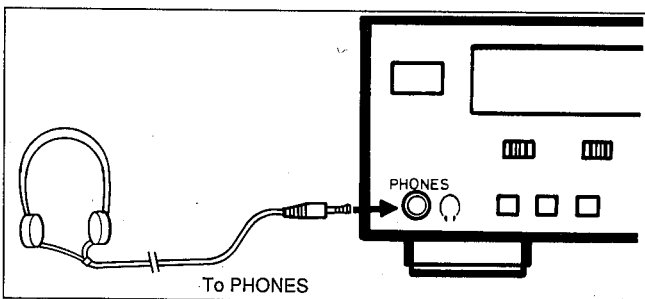
By connecting the remote control cable to the REMOTE jack on the rear panel, this unit can be operated with the remote control transmitter.



NOTES:

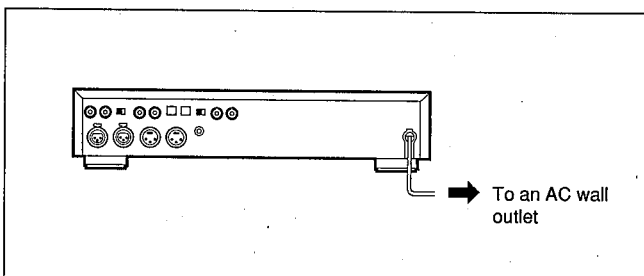
- Do not strike or drop the remote control transmitter. Also, do not get the remote control transmitter wet or place it in a humid location.
- Do not connect this remote control transmitter to other equipment.
- Connect only the supplied remote control transmitter to the REMOTE jack.

Connecting headphones



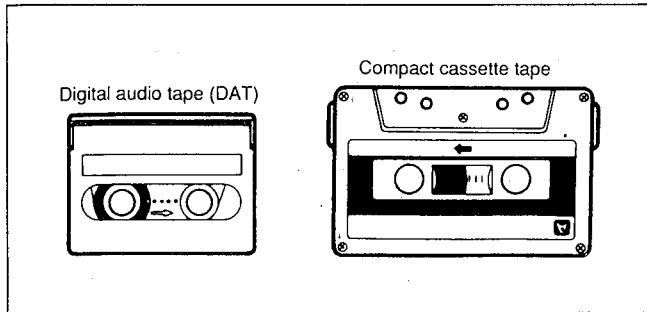
For best results, use 8-ohm to 32-ohm headphones with a standard stereo headphone plug 1/4" (6.3 mm). The headphone volume can be adjusted with the PHONES LEVEL control.

Connecting the AC power cord



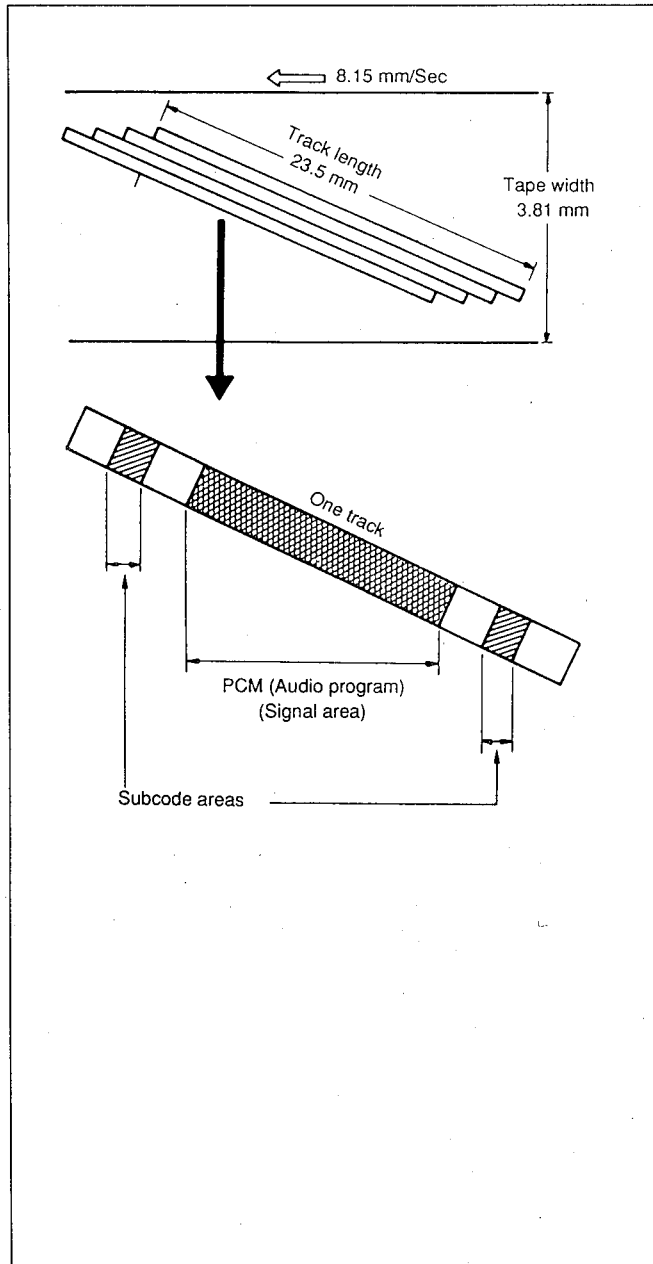
After connecting all equipment, connect the AC power cord plug to an AC wall outlet.

DAT (Digital Audio Tape)



DAT cassettes

A DAT cassette measures 2-7/8" x 7/16" x 2-1/8" (73 mm x 10.5 mm x 54 mm), nearly half the size of analog audio cassettes. Furthermore, the case is constructed to prevent the tape from being scratched or soiled.



DAT recording scheme

In the DAT system, the head is rotated at high speed and mounted at an angle with respect to the direction of tape travel.

The PCM (audio signal) area is recorded with the digital signal which has been converted from the audio signal. (PCM=Pulse Code Modulation). The subcode areas are recorded with information such as the tune number, individual tune elapsed time and absolute time. The subcode areas enable accurate tune searching since the signals in the subcode areas are read while the tape is moving.

Sampling frequencies

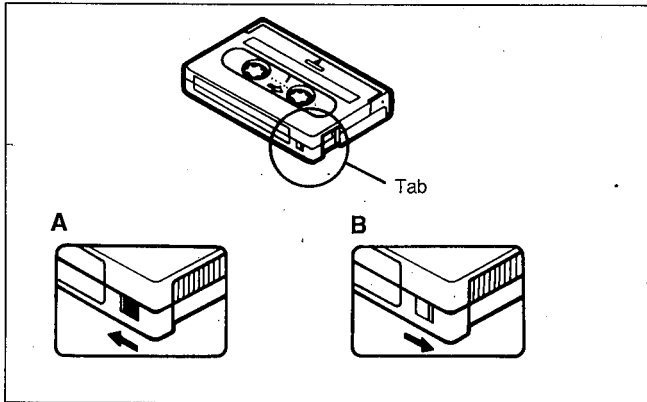
There are 3 sampling frequencies used when converting analog audio signals to digital signals: 48 kHz, 44.1 kHz and 32 kHz.

48 kHz: Used for commercially available DAT music tapes or standard recorded DAT tapes.

44.1 kHz: Used for commercially available DAT music tapes and CDs.

32 kHz: Used for satellite broadcasts.

At 32 kHz, this DAT deck can not record analog signals.



Preventing accidental erasure

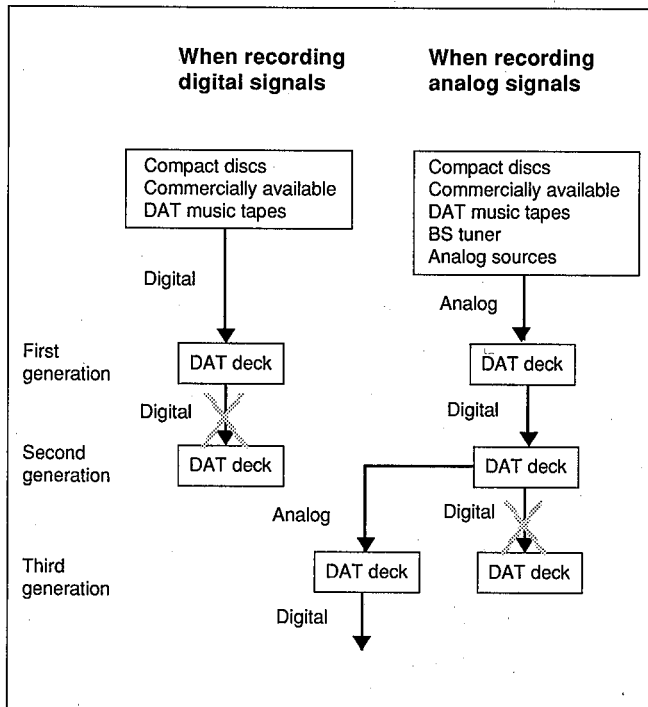
- To prevent accidental erasure, slide the tab to the left to open the hole. The tape cannot be recorded even if the REC button is pressed. See Fig. A.
- To allow recording on the tape again, slide the tab to the right to close the hole. See Fig. B.

Handling digital audio tapes

- Digital audio tapes are precisely constructed to record and play back highly accurate data. Never open the cassette lid and touch the tape. Touching the tape may damage it.
- Do not use scratched, dirty or wrinkled tapes. Use of such tapes may cause sound dropouts or damage the head.

Storing digital audio tapes

- Always keep tapes that are not in use in their cases.
- Avoid storing tapes in direct sunlight, near heat generating equipment or in humid locations.
- Avoid storing tapes in dusty locations.
- Do not store near strong magnetic fields (e.g. near electric clocks, toys using magnets, etc.). Magnetic fields will damage recordings.
- Do not drop or subject the tape to strong vibrations.
- Rewind the tape after use. If there is any slack in the tape, rewind again.

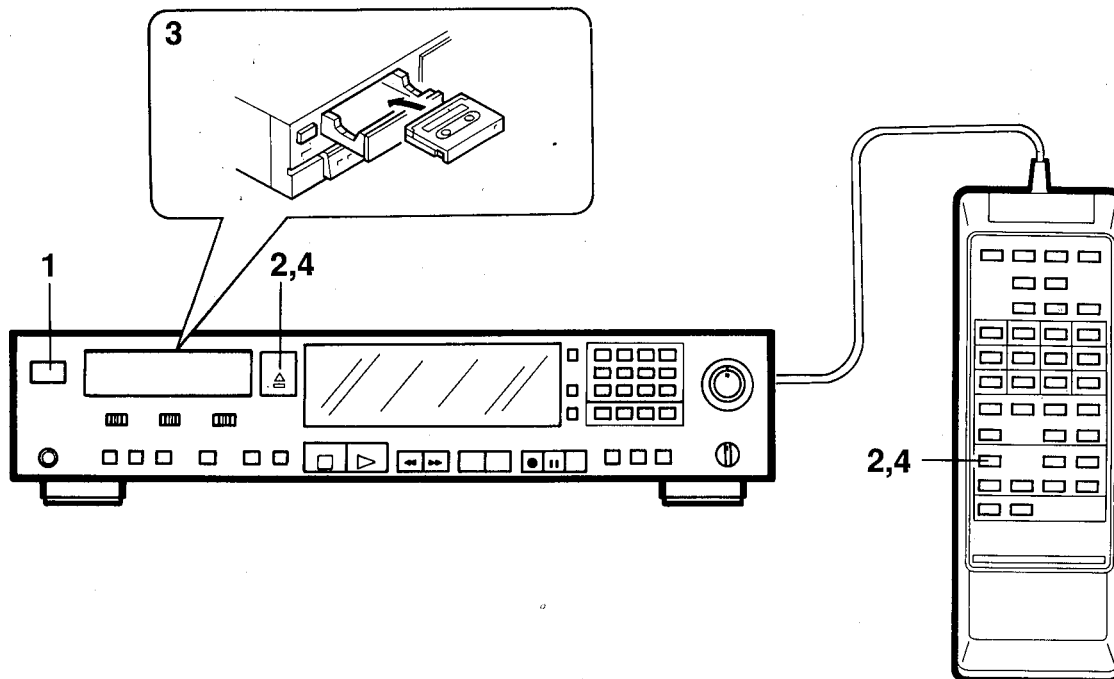


Serial Copy Management System (SCMS)

Most digital sources contain a copy prohibit code. This unit utilizes the serial copy management system that permits digital-to-digital recording for at least one generation. Even when a tape which has been recorded from analog sources is dubbed, this system regards the source as a digital source containing the copy prohibit code since the dubbing was performed through the A/D converter, and permits digital-to-digital recording only for one generation.

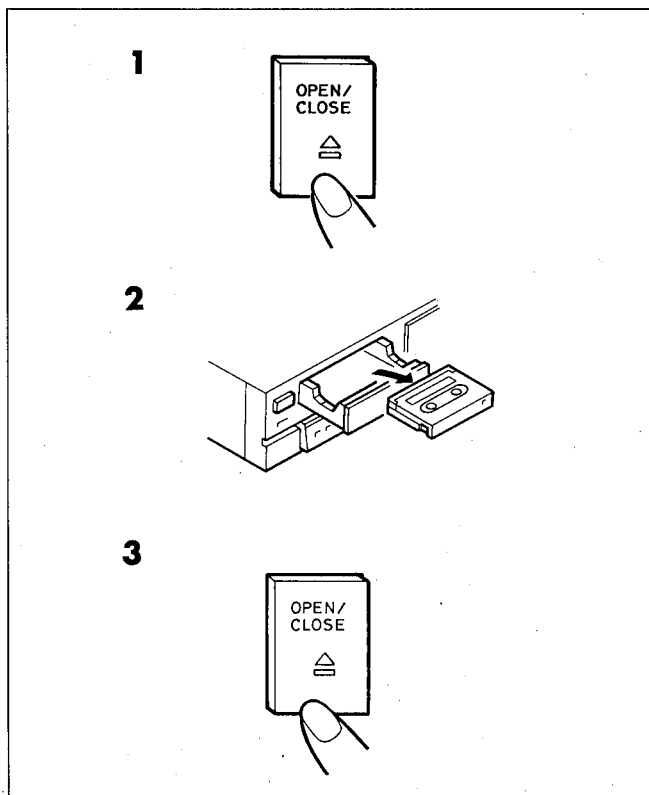
LOADING AND UNLOADING CASSETTES

Loading a cassette



- 1 Turn the POWER switch ON.
- 2 Press the OPEN/CLOSE button (▲) to open the cassette holder.
"OPEN" flashes on the display.

- 3 Place a DAT cassette in the cassette holder.
Be sure the window of the cassette faces you and the side tab faces you on the right side.
- 4 Press the OPEN/CLOSE button (▲) again to close the cassette holder.



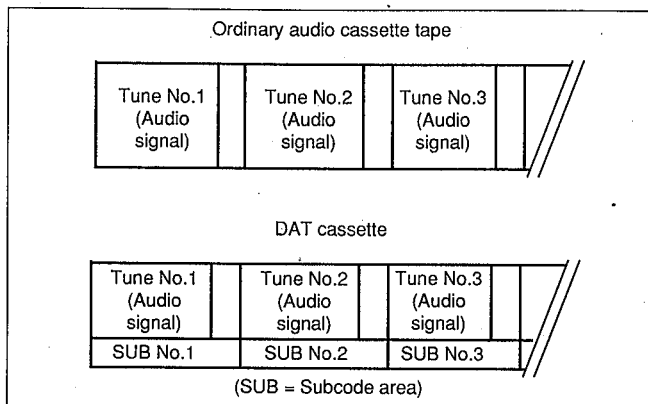
Unloading the cassette

- 1 Press the OPEN/CLOSE button (▲) to open the cassette holder.
- 2 Remove the cassette from the cassette holder.
- 3 Press the OPEN/CLOSE button (▲) again to close the cassette holder.

NOTES:

- The cassette holder will not close completely if the tape is inserted improperly. In this case, press the OPEN/CLOSE button (▲) to open the cassette holder and insert again.
- If the cassette holder does not close completely, it will automatically open after about 10 seconds even if the OPEN/CLOSE button (▲) is not pressed.
- Do not attempt to open or close the cassette holder by hand. Doing so will damage it.

RECORDING



Introduction to DAT recording

Unlike ordinary audio cassette tapes, various control codes called subcodes can be written on the DAT cassette tape separately from the audio signal. The subcodes are written for a variety of convenient playback and tape editing functions. You can write three types of subcodes; start ID, end ID and skip ID.

Start ID: Indicates the beginning of each tune and is used for programming and searching for tunes.

End ID: Indicates the end of the recording.

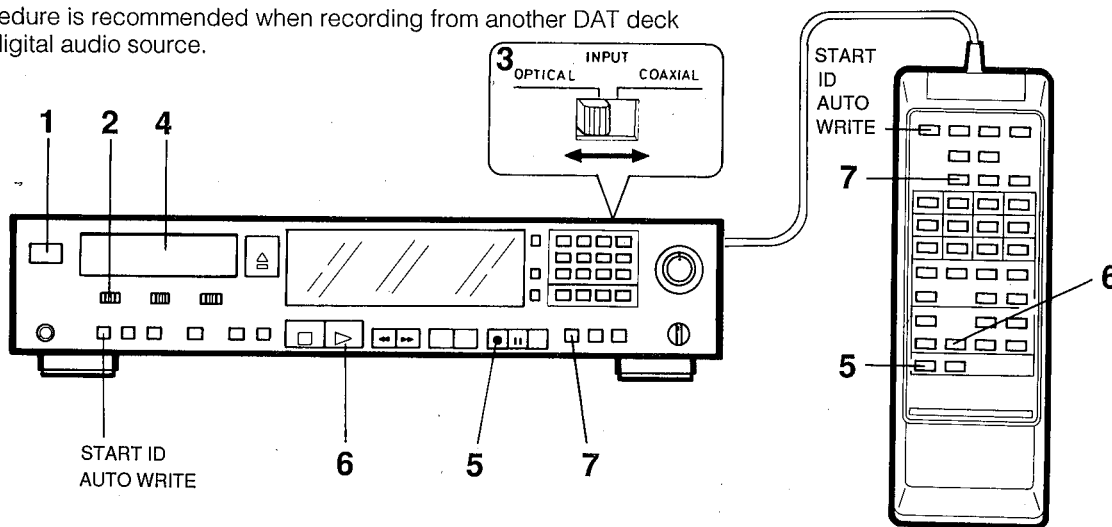
Skip ID: Indicates the beginning of a section to be skipped.

In addition, absolute time is automatically written after the recording is completed.

- Before making an important recording, it is recommended that you make a trial recording to ensure that the desired audio is being recorded properly.

Recording from the digital input jacks (coaxial or optical jack)

This procedure is recommended when recording from another DAT deck or other digital audio source.



1 Turn the POWER switch ON.

Whenever the POWER switch is turned ON, the START ID AUTO WRITE button is set to on and the button lights up. The tune numbers will be written automatically during recording. If the tune numbers are not necessary, press the START ID AUTO WRITE button so that the light of the button goes off.

2 Set the INPUT selector to the DIGITAL position.

3 Set the DIGITAL INPUT selector on the rear panel according to the jacks to be used.

Coaxial jacks: Set to the COAXIAL position.
Optical jacks: Set to the OPTICAL position.

4 Load a DAT cassette in the cassette holder.

5 Press the REC button (●).

The unit enters record stand-by mode. When recording from the beginning of the tape, a sound muted section of about 7 seconds is automatically recorded before the deck enters record stand-by mode.

6 Set the source to be recorded to play mode and press the PLAY button (▶) to start recording.

When the START ID AUTO WRITE button is set to on and the unit encounters a sound muted section of more than 2 seconds, a start ID is written and the tune is numbered automatically.

7 When the recording is completed, press the END ID WRITE button.

After the end ID signal is written, the tape stops automatically.

- If the end ID signal is written, it is easy to continue a recording from the end of a previous recording. See page 20.

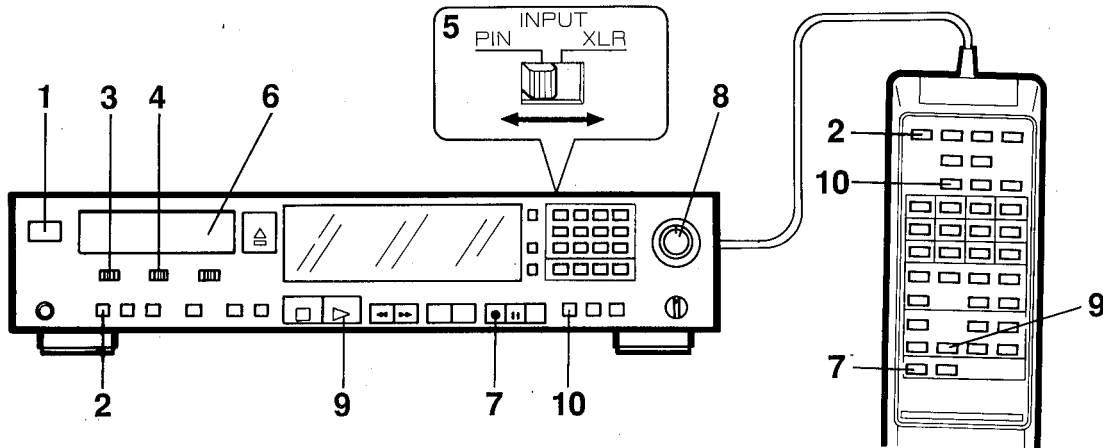
NOTES:

- When digital sources are recorded from a DAT deck which can send category code "DAT" and the start ID and skip ID signals to digital outputs, make sure the START ID AUTO WRITE button is turned on (lit). The unit records start ID and skip ID signals, which are contained in the source, as they are.
- If the power of the source to be recorded is turned off, the unit enters record stand-by mode and the tape running stops. In this state, turning on the power of the source to be recorded resumes recording starting from the next tune number.
- When recording through the digital input jacks, no signal is output to the digital output jacks.
- Be sure to set the INPUT selector and DIGITAL INPUT selector before recording. If they are switched during recording, the unit enters pause mode.
- The sampling frequency is automatically switched according to the source being recorded.
- When recording from the digital input jacks, there is no need to adjust the recording level.

Recording from the analog input jacks

This procedure is recommended when making a recording from a mixing console, analog tape deck, tuner, phonograph or other similar external audio source.

When recording from these sources, the tune numbers may not be written properly with the Start ID Auto Write function. In this case, you can manually write start ID signals during recording or after recording. See page 19.



- 1 Turn the POWER switch ON.**
- 2 Set the START ID AUTO WRITE button.**
If the source to be recorded does not contain a sound muted section of about 2 seconds between tunes, press the START ID AUTO WRITE button so that the light of the button goes off.
- 3 Set the INPUT selector to the ANALOG position.**
- 4 Set the REC fs selector.**
- 5 Set the ANALOG INPUT selector on the rear panel according to the jacks to be used.**
Unbalanced pin jacks: Set to the PIN position.
Balanced pin jacks: Set to the XLR position.
- 6 Load a DAT cassette.**
- 7 Press the REC button (●).**
The unit enters record stand-by mode. When recording from the beginning of the tape, a sound muted section of about 7 seconds is automatically recorded and the unit enters record stand-by mode.

- 8 Play the source to be recorded and adjust the recording level with the REC LEVEL control. See below.**
- 9 Press the PLAY button (▶) to start recording.**
- 10 When recording is completed, press the END ID WRITE button.**
After the end ID signal is written, the tape stops automatically.
 - If the end ID signal is written, it is easy to continue a recording from the end of a previous recording. See page 20.

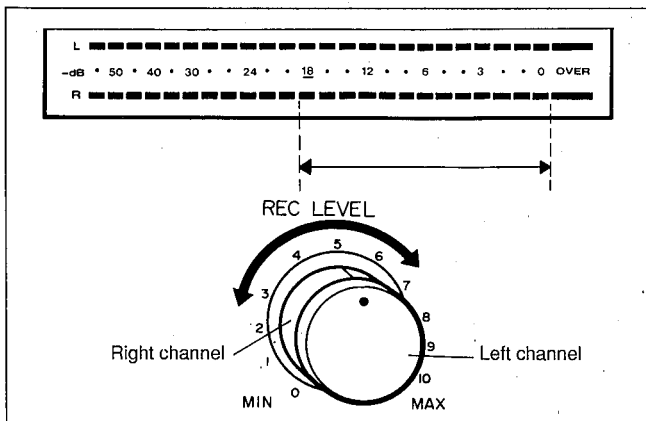
NOTE:

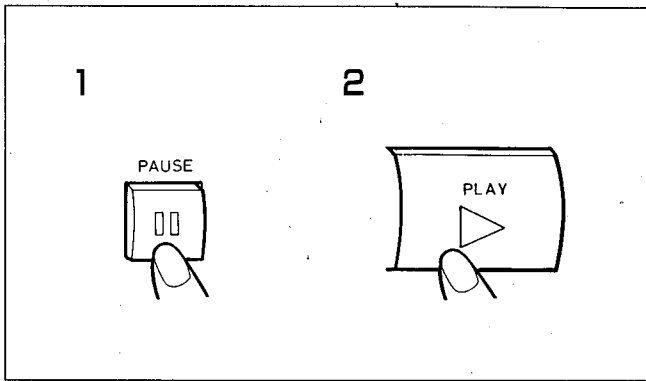
Be sure to set the INPUT, ANALOG INPUT and REC fs selectors before recording. If the INPUT or REC fs selector is switched during recording, the unit enters pause mode. If the ANALOG INPUT selector is switched, a several-second blank section is recorded.

To adjust the recording level when recording from the analog input jacks

As a guide, adjust the recording level so that the peak level meter is between "- 18 dB" and "0". Be sure the peak levels do not reach "OVER". If the peak levels exceed "0", "OVER" lights and distorted sound may result.

- If the recording levels for the left and right channels are different, adjust the left and right channels separately (See the figure.)



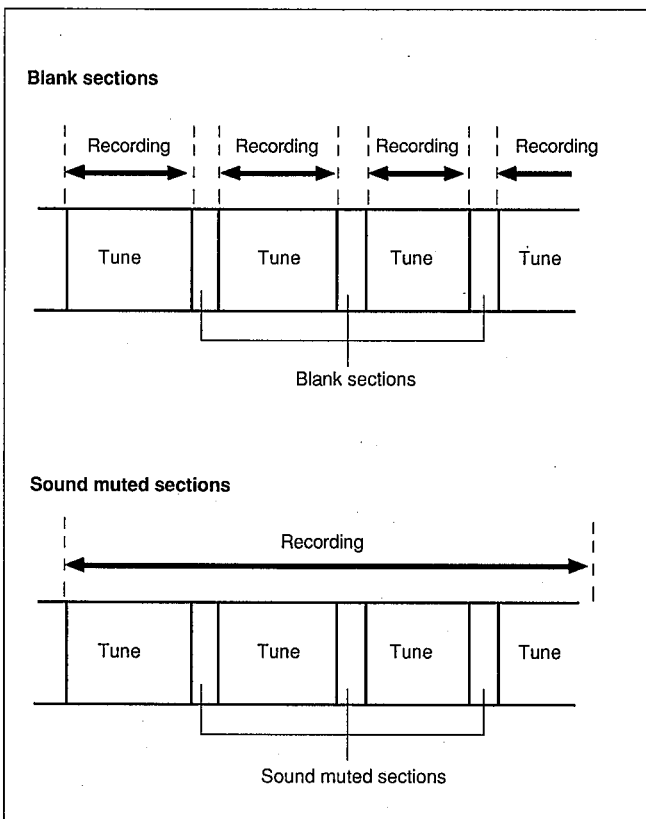


To stop recording temporarily

- 1 Press the **PAUSE button (II)**.
Recording stops temporarily.
- 2 Press the **PLAY button (▶) or PAUSE button (II) again to resume recording.**
 - When the **START ID AUTO WRITE** button is ON (lit), the start ID signal is written at the point where recording resumes.

NOTE:

To protect the tape and the head, the head will separate from the tape after about 5 minutes have passed in recording pause mode.



Blank sections and sound muted sections

With conventional analog audio tapes, the sections on which no recording has ever been made (blank section created with fast-forwarding, etc.) and the sections on which a recording has been made but the sound is muted (sound muted section created with the record muting function) are treated the same, and they are used to search for tunes, since no sound can be heard from these sections. Conversely, the DAT deck distinguishes between blank sections and sound muted sections. If blank sections remain on the tape, search operation using the APSS function may take quite a long time and search operation using absolute time may not be carried out properly. Therefore, when recording, be sure that no blank sections are left on the tape.

In addition, since no-sound sections between tunes must be recorded on analog audio tapes for tune search operation, recording no-sound sections (sound muted sections) between tunes is recommended considering dubbing from DAT cassettes to analog audio tapes.

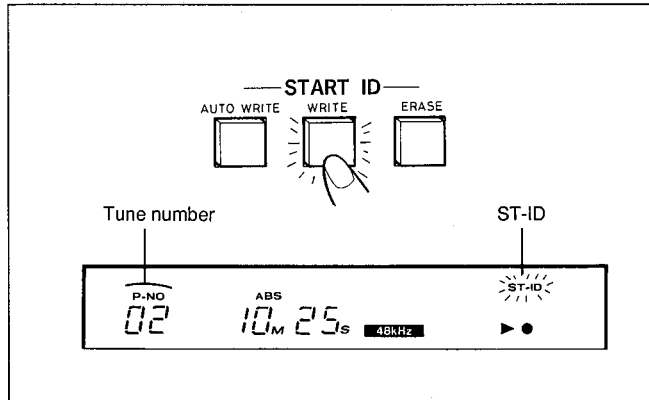
- To insert silence between tunes, press the **REC MUTE** button during recording. A sound muted section will be created as long as the button is kept pressed. It is recommended to create a sound muted section of about 4 seconds for dubbing onto an analog audio tape later on. Do not create a blank section by advancing the tape with the **FF button (▶▶)** or **PLAY button (▶)**.
- To start recording from the middle of the tape, use the **end search function** (page 20) to locate the end of the previous recording. This will avoid leaving a blank section.

START ID SIGNALS AND TUNE NUMBERS

The actual number of a recorded tune on a tape and the tune number displayed on the unit may not be the same, even if the tune numbers are written automatically with the START ID AUTO WRITE function. This may occur due to the contents of the recorded tune.

The tune numbers may not be recorded properly when recording from sources that contain the following:

- Conversations with breaks in them.
- Low overall recording level.



- Short intervals (i. e., 2 seconds or less) between tunes.
- Long quiet pianissimo passages.
- Noise or hum between tunes.

If the tune numbers are not written properly, it may be necessary to add or erase the tune numbers.

When recording is performed from sources without silence between tunes, it is recommended to write the tune numbers manually during recording or after recording.

To write tune numbers manually during recording

Press the START ID WRITE button (the button lights) at the beginning of each tune.

Every time the START ID WRITE button is pressed, the start ID signal is written and the tune number is switched to next number. While the start ID signal is written, the ST-ID indicator flashes.

- Manually writing the tune numbers is possible regardless of the setting of the START ID AUTO WRITE button.
- Up to 99 tune numbers can be written. If a tape which contains more than 99 tunes is played, the tune number is not displayed after the 100th tune.

To write start ID signals manually during playback

A start ID signal indicates the beginning of a tune. If this signal and corresponding tune number are not written, tune selection by APSS, APMS and direct selection is impossible.

If start ID signals and tune numbers are not written properly on a tape, insert start ID signals according to the following procedure, and then renumber them (page 20).

1 During playback, press the START ID WRITE button (the button starts flashing) at the point where the start ID signal is to be inserted.

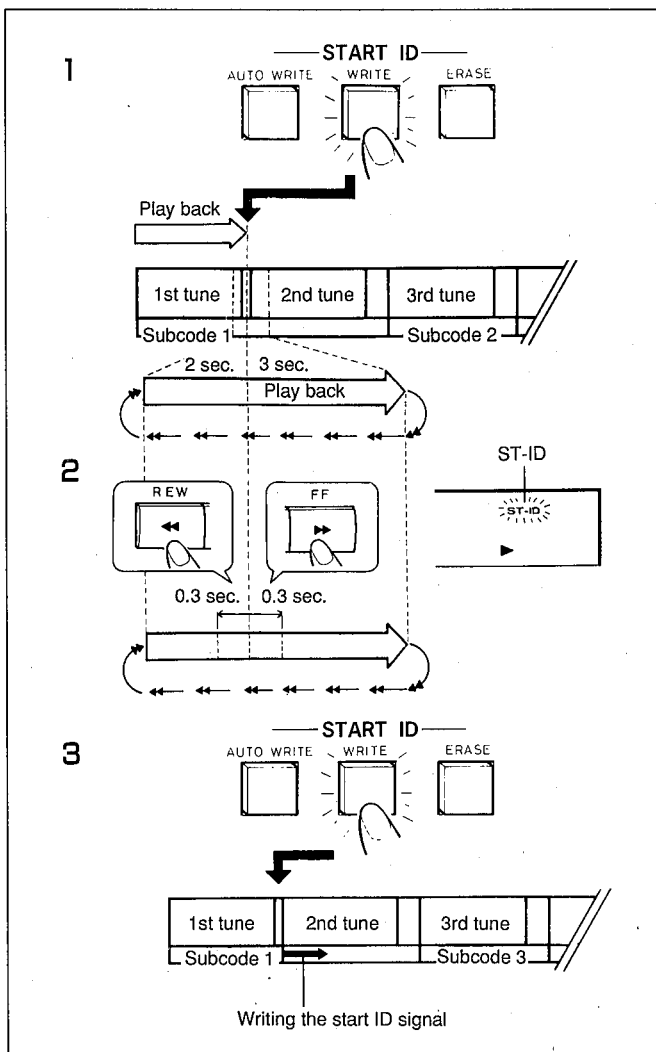
The tape is played back for 3 seconds and then rewound to a point 2 seconds before the START ID WRITE button was pressed. Playback starts from this point for 5 seconds and repeats 10 times (Test playback). Since the ST-ID indicator lights when the tape encounters the start-ID signal, the placement of the start ID signal can be verified. Check the position of the start ID signal while listening to the test playback.

2 If the start ID signal is not correctly inserted at the beginning of the tune, move it backward or forward with the REW (◀) or FF (▶) button.

Each time the REW button (◀) is pressed, the start ID signal moves backward 0.3 seconds. Each time the FF button (▶) is pressed, the start ID signal moves forward 0.3 seconds.

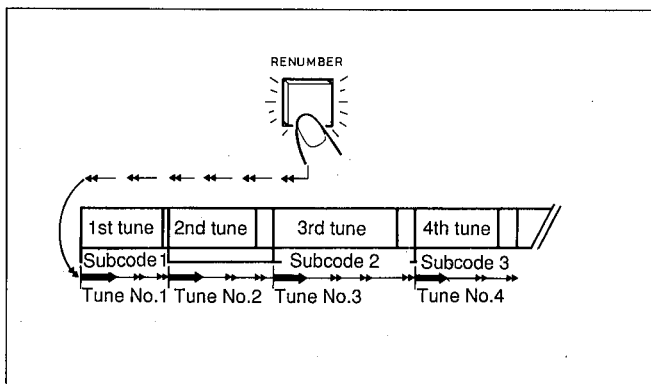
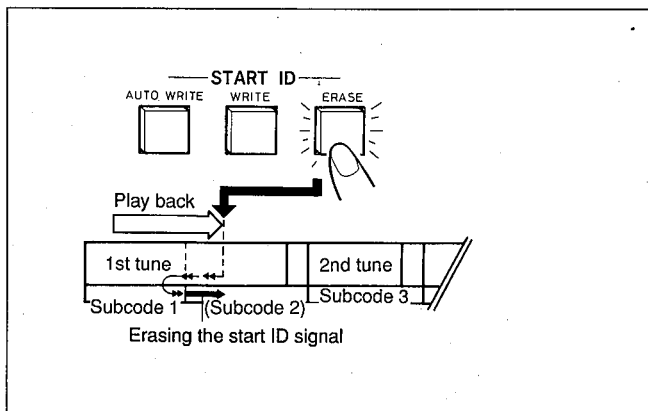
3 When the start ID signal is correctly inserted, press the START ID WRITE button again during test playback.

The button lights and the tape is rewound to the beginning of the tune, and the start ID signal is written. (While writing, the ST-ID indicator flashes.) Playback resumes after the start ID signal is written.



Notes on writing start ID signals

- If a start ID signal is written on a point where a skip ID signal has been written, the skip ID signal is erased.



To erase start ID signals

If a start ID signal is written on a undesirable point, you can erase it during playback. Be sure to renumber the tunes after erasing a start ID signal.

Press the **START ID ERASE** button (the button flashes) when the **ST-ID** indicator appears on the display.

The tape rewinds to the beginning of the tune being played and the start ID signal is erased. While erasing, the ST-ID indicator flashes. Playback resumes after the start ID signal is erased.

- If a tune number is also written with the start ID, both signals will be erased at the same time.

To renumber tune numbers

When start ID signals are inserted or erased, tune numbers are displaced. Renumber the tune numbers following this procedure.

Press the **RENUMBER** button in stop mode.

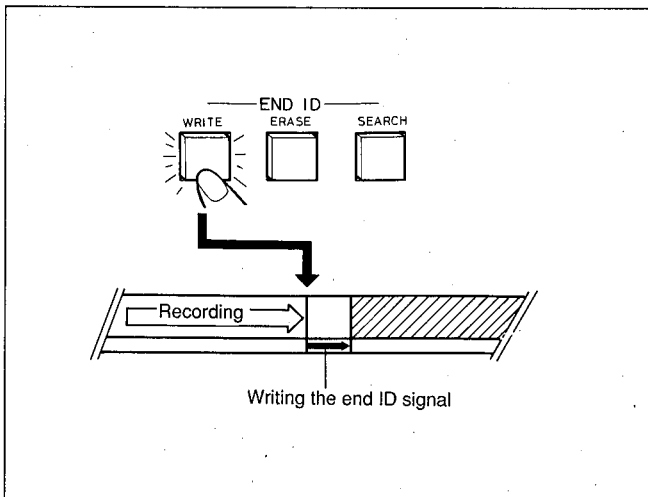
The tape is rewound to the beginning of the tape, and the tune numbers are automatically renumbered at high speed. Whenever the unit encounters a start ID signal, the proper tune number is written starting from P-NO 1.

- When renumbering is completed at the end of the tape, the tape automatically rewinds to the beginning.

END ID SIGNALS

An end ID signal indicates the end of a recording. The tape does not advance beyond the point where this signal is written. Therefore, it is easy to continue a recording from

the end of a previous recording. Also, this will avoid making a blank section between recordings.

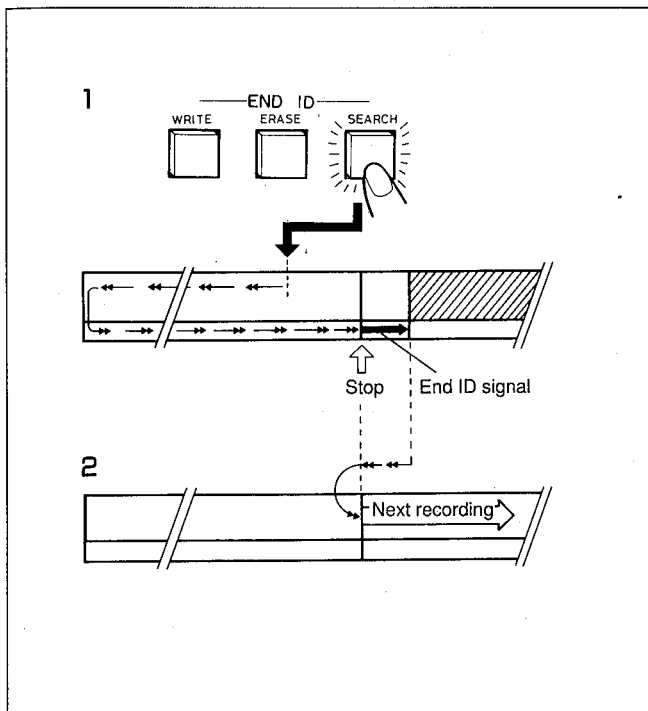


To write an end ID signal

During recording, press the **END ID WRITE** button.

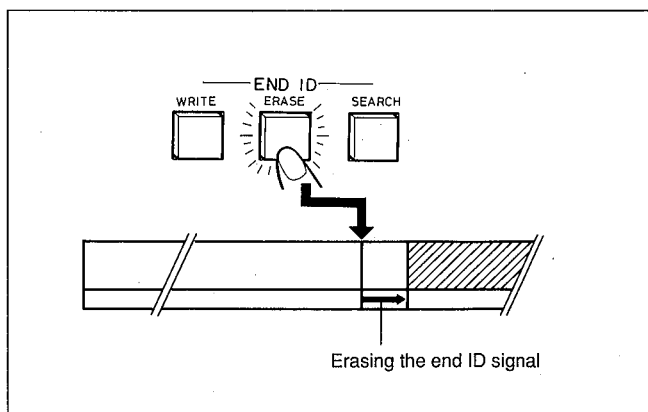
A sound muted section is automatically inserted and the end ID signal is written. While the end ID signal is being written, the END-ID indicator flashes and then the tape automatically stops.

- When the unit encounters an end ID during playback, fast-forwarding or cueing, the tune number changes to "EE", and the tape stops automatically.
- Do not write an end ID signal if the interval between start ID signals is shorter than 9 seconds. APSS and renumbering functions may not be carried out properly.



To continue a recording from the end of a previous recording

- 1 Press the **END ID SEARCH** button in stop mode or during playback.
The button starts flashing. The tape is rewound to the beginning and then fast-forwarded to the point where the end ID signal is written (End search function). The light of the button goes off when the tape stops.
- 2 Start recording from the point where the tape stops.
Tune numbers and absolute time will be continued from the previously recorded contents.
 - The end ID signal of the previous recording is automatically erased.

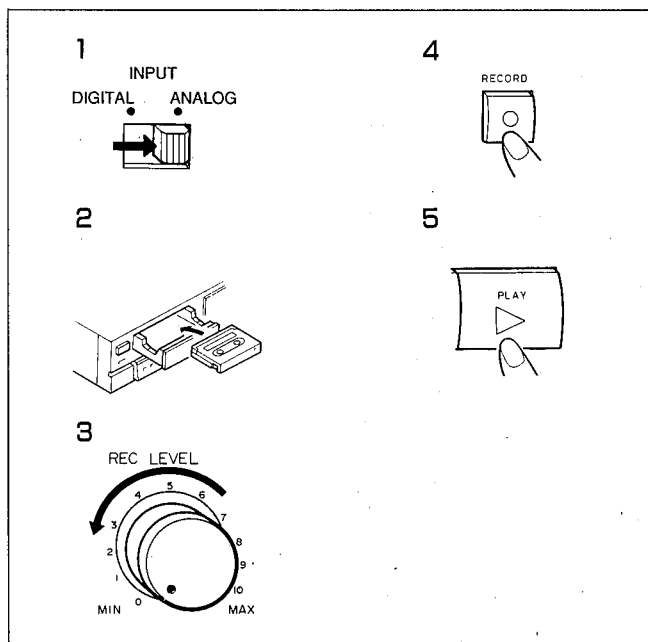


To erase the end ID signal

An end ID signal is automatically erased when successive recording is performed using the end search function. To erase an end ID signal without successive recording, perform the following procedure.

When the tape stops after end search operation, press the **END ID ERASE** button.

The button starts flashing. When the end ID signal is erased, the tape stops. (While erasing the end ID signal, the tape is advanced for a few seconds and the END-ID indicator flashes.)



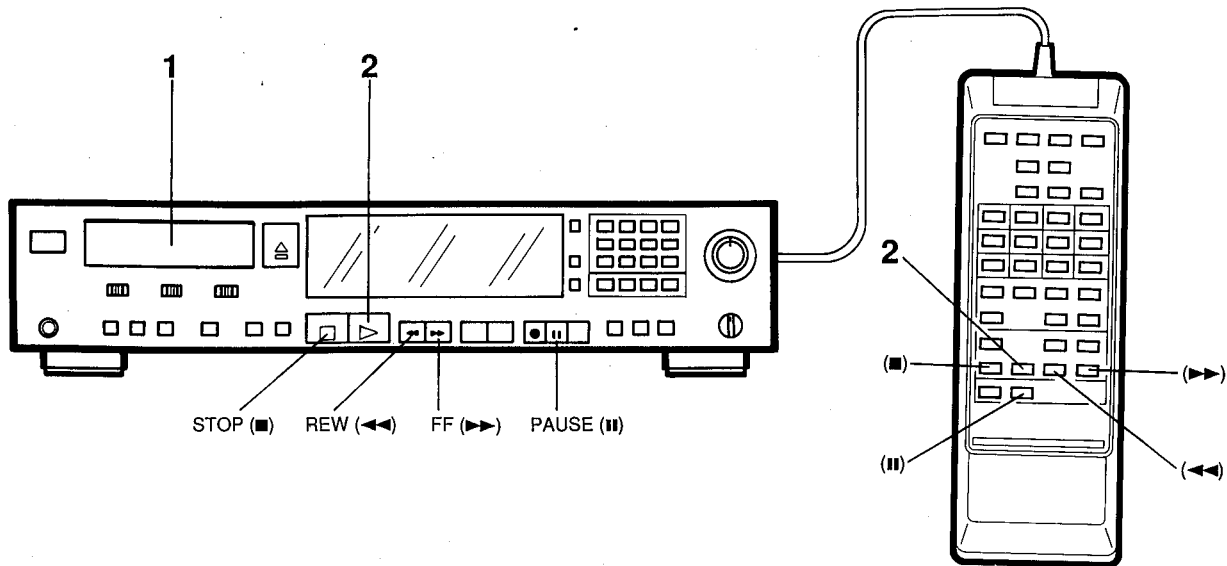
To erase the recorded contents

When a recording is made over a previous recording, the previous recording is automatically erased. To erase the recorded contents without making a new recording, perform the following procedure.

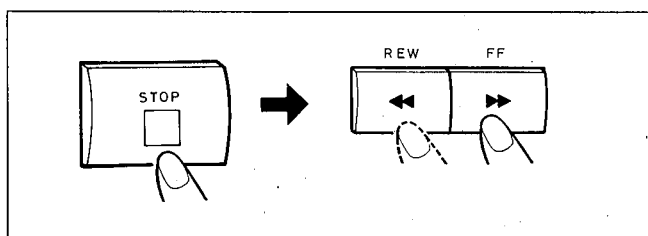
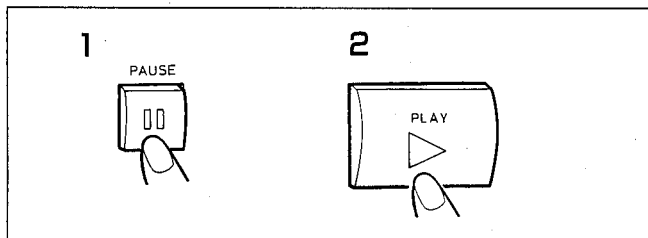
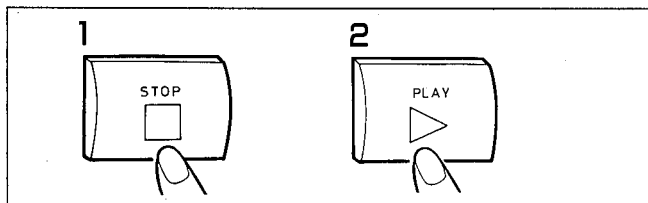
- 1 Set the **INPUT** selector to the **ANALOG** position.
- 2 Load the tape in the cassette holder.
- 3 Turn the **REC LEVEL** control fully counterclockwise to **0 (MIN)**.
- 4 Press the **REC** button (●).
- 5 Press the **PLAY** button (▶).
The previously recorded contents will be erased.

PLAYBACK

Normal playback



- 1 Load the tape into the cassette holder.
- 2 Press the PLAY button (▶).



To stop playback

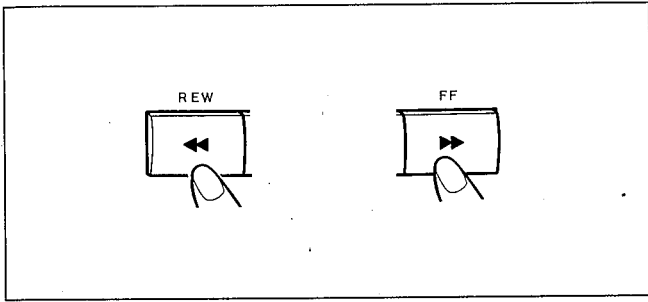
- 1 Press the STOP button (■).
- 2 To start playback again, press the PLAY button (▶).

To stop playback temporarily

- 1 Press the PAUSE (||) button.
 - 2 To resume playback, press the PLAY button (▶) or PAUSE (||) button again.
- To protect the tape, the pause mode automatically cancels after 5 minutes and the unit enters stop mode.

To fast-forward or rewind the tape

- 1 To fast-forward the tape, press the STOP button (■), then the FF button (▶▶).
To rewind the tape, press the STOP button (■), then the REW button (◀◀).
- 2 Press the STOP button (■) to stop the tape running.



APSS (Auto Program Search System)

APSS allows you to locate the beginning of any tune during playback. Simply press the REW (◀◀) or FF (▶▶) button to move backward or forward.

NOTES:

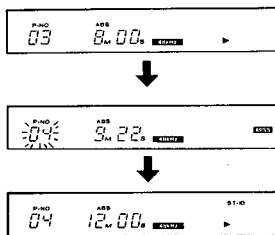
- For tapes with a start ID signal interval shorter than 9 seconds, APSS may not function properly (page 20).
- If a tune is not played according to the tune number selected with APSS, the start ID signal and tune number have not been correctly written. See page 19.

Press the FF button (▶▶) to go to the beginning of the next tune. Press the REW button (◀◀) to return to the beginning of the current tune.

Each press of the FF button (▶▶) skips to the beginning of the subsequent tunes. Each press of the REW button (◀◀) skips to the beginning of the previous tunes.

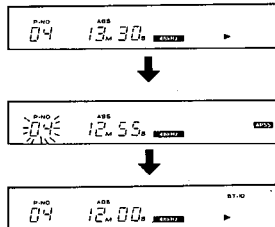
- The tape can be paused at the beginning of the desired tune by pressing the PAUSE button (⏸) after pressing the FF (▶▶) or REW (◀◀) button. The desired tune can then be played by pressing the PLAY button (▶).

<Examples>



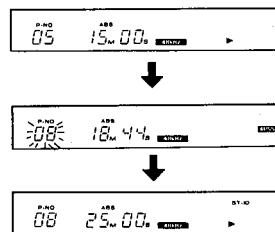
To go to tune 4 while tune 3 is playing

Press the FF button (▶▶) once while tune 3 is playing. The tune number indicator changes from 3 to a flashing 4 and the tape is fast-forwarded to the beginning of tune 4. Playback starts from the beginning of tune 4.



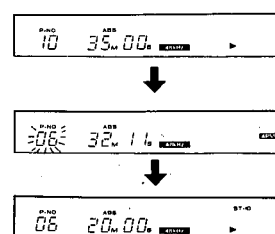
To replay from the beginning of tune 4 while tune 4 is playing

Press the REW button (◀◀) once while tune 4 is playing. The tune number indicator changes to a flashing 4 and the tape is rewound to the beginning of tune 4. Playback starts again from the beginning of tune 4.



To skip to tune 8 while tune 5 is playing

Press the FF button (▶▶) three times while tune 5 is playing. The tune number indicator changes from 5 to a flashing 8 and the tape is fast-forwarded to the beginning of tune 8. Playback starts from the beginning of tune 8.



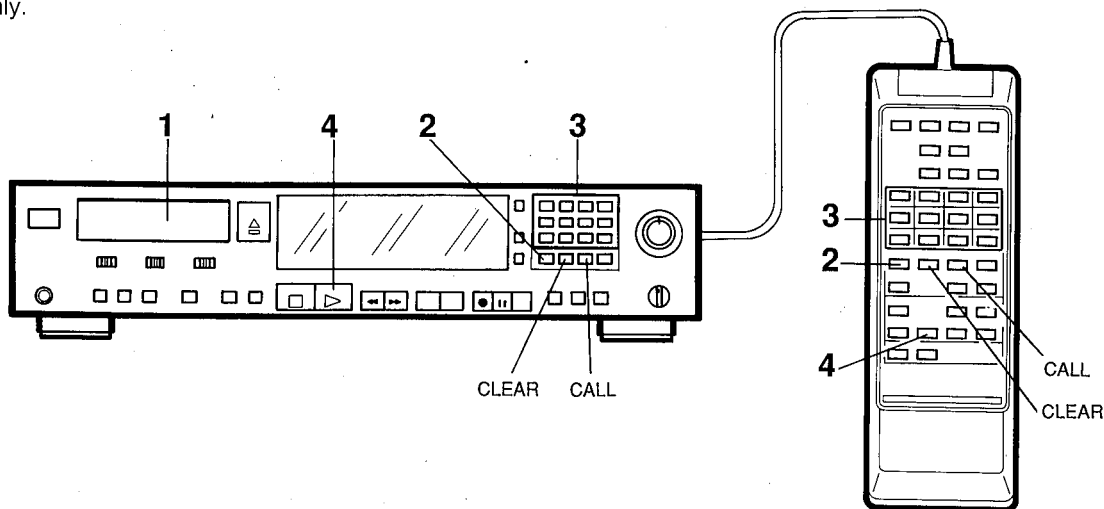
To skip to tune 6 while tune 10 is playing

Press the REW button (◀◀) five times while program 10 is playing. The tune number indicator changes from 10 to a flashing 6 and the tape is rewound to the beginning of tune 6. Playback starts from the beginning of tune 6.

To program desired tunes (APMS=Automatic Programmable Music Selector)

You can program desired tunes in any desired order.

- If the tunes are not numbered properly, the desired tunes may not be programmed, or program playback may stop suddenly.



- 1 Load the tape.**
- 2 Press the PROGRAM button.**
The APMS indicator lights.
- 3 Using the digit buttons (1-0, +10, +20), enter the desired tune numbers in the desired order.**

Example:

To select tune 12:

Press "+10" and "2".

To select tune 20:

Press "+20" and "0".

To select tune 54:

Press "+20" twice, "+10" and "4".

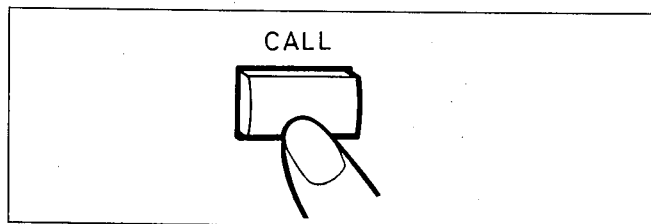
The display shows the program number (playback order) and the programmed tune number.

- 4 Press the PLAY button (▶).**

The programmed tunes are played in the programmed order.

To skip to the beginning of a tune in the program:

Press the FF (▶▶) or REW (◀◀) button to skip to the beginning of previous/subsequent programmed tunes.

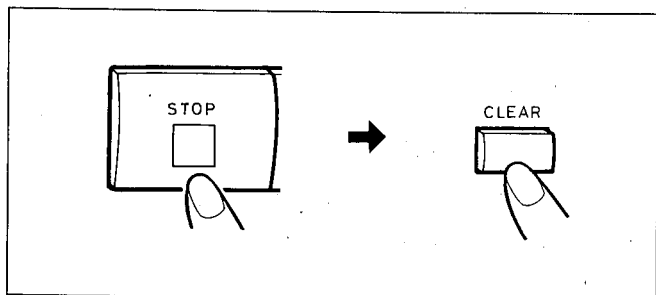


To check the program contents

In stop mode, press the CALL button.

The programmed tunes are displayed in programmed order.

- When the CALL button is pressed during program playback, the next programmed tune number to be played is displayed for about one second.



To erase a programmed tune

Press the STOP button (■), then the CLEAR button.

Each time the CLEAR button is pressed, one programmed tune will be erased beginning with the last programmed tune.

To clear the whole program

Press the PROGRAM button in stop mode. Also, pressing the OPEN/CLOSE button or turning off the power clears the whole program.

Direct selection

Any tune can be directly selected and played back by specifying the tune number.

In stop mode or play mode, enter the desired tune number using the digit buttons (0-1, +10, +20).

Example:

To select tune 12:

Press "+10" and "2".

To select tune 20:

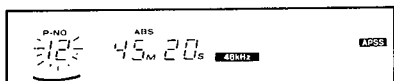
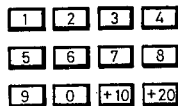
Press "+20" and "0".

To select tune 54:

Press "+20" twice, "+10" and "4".

The beginning of the specified tune will be searched for and played automatically.

- The direct selection function can be used to cue up to the beginning of a tune. Enter a tune number and press the PAUSE button (⏸). The specified tune is searched for and the unit enters pause mode. To start playback, press the PLAY button (▶).
- If a tune number which does not exist on the tape is specified, the tape fast-forwards until the end.
- Direct selection cannot be carried out on tapes which do not contain tune numbers, or have their tunes numbered incorrectly.
- Direct selection cannot be used for programmed tunes in APMS.



Selected tune number

Absolute time search

Playback can be started from any point when the absolute time (from the beginning of the tape to the point where you want to start playback) is specified.

1 Press the ABS TIME button in stop mode or playback mode.

2 Enter the desired absolute time using the digit buttons (0-1).

For example, when searching for "one hour, 25 minutes and 32 seconds", press "1", "2", "5", "3" and "2".

3 Press the PLAY button (▶).

Playback starts from the specified ABS time.

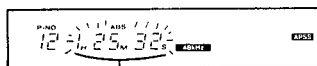
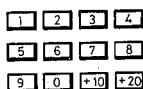
- When a time longer than the recording time on the tape is specified, the tape will stop at the end.
- During playback, the absolute time must be entered within 4 seconds after pressing the ABS TIME button. Otherwise, the function will be canceled.

1

ABS TIME

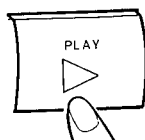


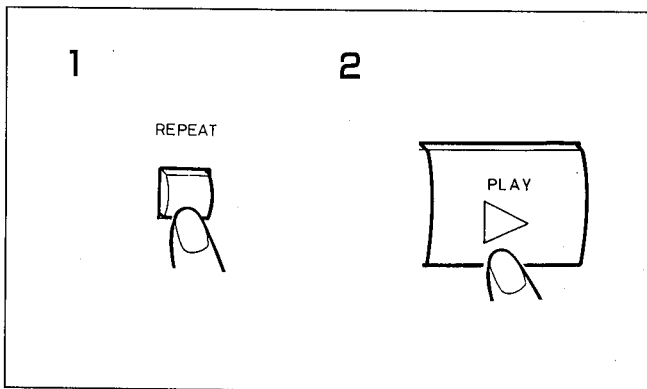
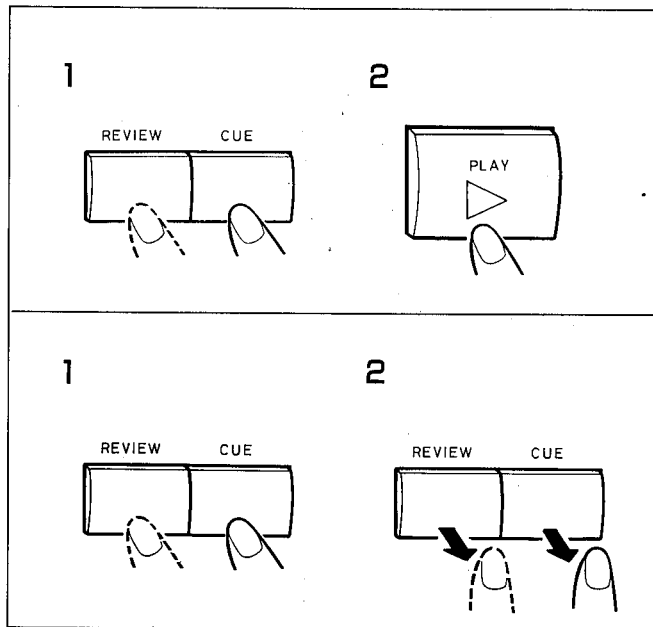
2



Specified ABS time

3





Cue and review

The CUE and REVIEW buttons allow you to quickly move to a desired location on the tape while listening to the tunes at 3 times the speed of normal playback.

In stop mode:

- 1 Press the CUE button to move forward or the REVIEW button to move backward.
- 2 Press the PLAY button (▶) when the desired position is reached.

During playback:


- 1 Press and hold the CUE button to move forward or the REVIEW button to move backward.
 - 2 Playback will resume when the CUE or REVIEW button is released.
- When the end of the tape is reached, the tape stops automatically.

NOTE:

The CUE and REVIEW buttons do not function for programmed tunes in APMS.

Repeat playback

Repeat playback allows you to continuously repeat an entire tape or a program in APMS. To repeat a program, program the tunes beforehand (page 24).

- 1 Press the REPEAT button.
The  indicator lights.
 - 2 Press the PLAY button (▶).
The entire tape or program will be played repeatedly.
- To return to normal playback, press the REPEAT button again.
 - Repeat playback will stop automatically after playback is repeated 24 times.

To skip undesirable sections using the skip ID

When the unit encounters a skip ID signal, the tape fast-forwards to the beginning of the next tune.

To write the skip ID signal

During playback, press the SKIP ID WRITE button at the beginning of the section to be skipped.

The button lights. Playback stops temporarily and the skip ID signal is written. (While writing, the SKIP-ID indicator flashes.)

Skip playback

Set the SKIP PLAY button to the ON position.

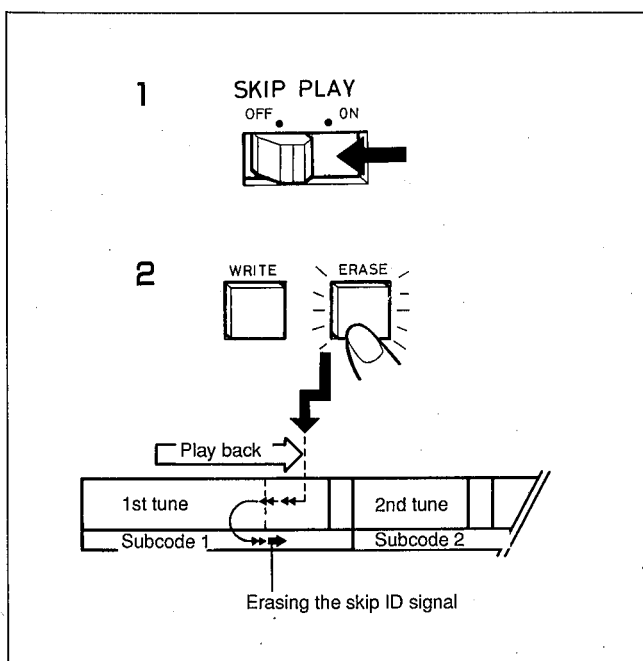
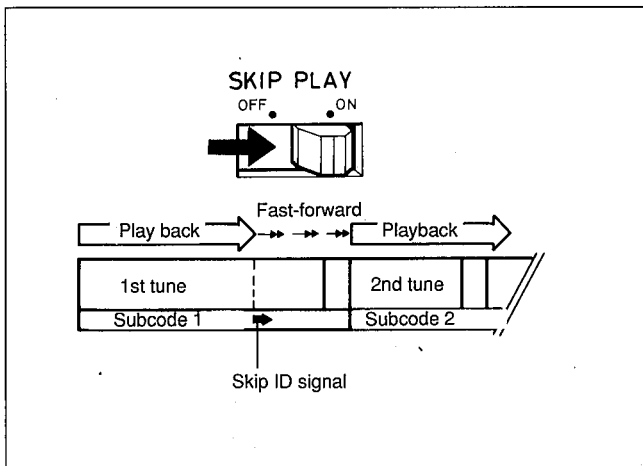
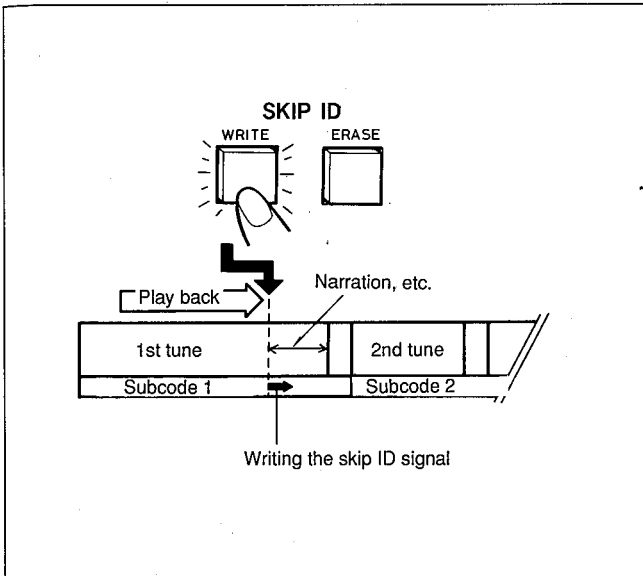
When a skip ID signal is detected during playback, the tape fast-forwards to the beginning of the next tune and playback resumes.

- When you want to play a tape containing a skip ID signal without the skip play function, set the SKIP PLAY button to the OFF position. The tape will be played normally, but the skip ID signal is not erased.

To erase the skip ID signal

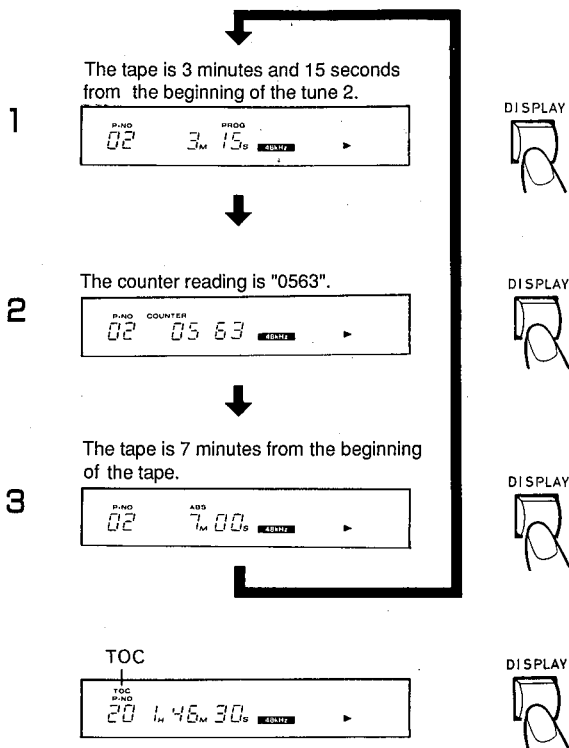
- 1 Set the SKIP PLAY button to the OFF position.
- 2 Play the tune which contains the skip ID to be erased, and press the SKIP ID ERASE button when the SKIP ID indicator lights.

The tape is rewound to the position where the skip ID was written. The SKIP ID indicator flashes and the skip ID is erased. Playback resumes after the skip ID is erased.



To display elapsed time and the tape counter

Each time the DISPLAY button is pressed during playback, the display changes to 1, 2, or 3, in that order.



When a tape which contains a TOC starts playing from the beginning of the tape, the TOC indicator lights several seconds after, and the total number of tunes and total playing time of the tape are displayed after the counter reading by pressing the DISPLAY button.

1 The PROG indicator lights and the elapsed playback time from the beginning of the current tune is displayed.

- When a tune which does not contain a start ID signal is played, "-- M -- S" is displayed.
- The absolute time is displayed during APSS mode.
- In fast-forward, rewind, cue or review mode, "-- M --S" is displayed.

2 The COUNTER indicator lights and the tape counter reading is displayed.

- To reset the counter reading, press the COUNTER RESET button. The display shows "0000". In any other display mode, the COUNTER RESET button does not function.

3 The ABS indicator lights and the total elapsed time (absolute time) from the beginning of the tape is displayed.

- For tapes on which the absolute time is not recorded, "-- M --S" is displayed.

NOTES:

- When a section which does not contain both a start ID signal and a tune number is played, the tune number is not displayed.

TROUBLESHOOTING

If this unit functions abnormally during operation, first check the following items. If the unit continues to function abnormally, or if an abnormality other than those listed below appears, turn off the deck's power and disconnect the AC plug, then consult your Yamaha dealer or servicing personnel.

PROBLEM	CHECK
Power does not turn on.	<ul style="list-style-type: none"> ● Is the AC power cord plugged in?
The cassette holder does not close after a tape is loaded.	<ul style="list-style-type: none"> ● Is the tape loaded properly? ● Is a DAT cassette used?
This unit does not operate.	<ul style="list-style-type: none"> ● Is there a tape loaded? ● Are there any foreign objects in the cassette holder? ● Is there dew on the head or tape?
No playback sound from both channels.	<ul style="list-style-type: none"> ● Is this unit connected properly to an amplifier?
No playback sound from one channel.	<ul style="list-style-type: none"> ● Is a cable loose or disconnected?
The absolute time is incorrectly displayed.	<ul style="list-style-type: none"> ● Are the program numbers written in the correct order?
The actual number of recorded tunes and the tune numbers do not match. (e.g. There are 6 recorded tunes but tune numbers are 1, 2, 3, 4 and 5 only.)	<ul style="list-style-type: none"> ● This can happen with certain types of recorded material (caused by noise between tunes, short interval between tunes, dropouts, etc.). See page 19.
A tune selected with APSS or APMS is not the desired tune.	<ul style="list-style-type: none"> ● Do the actual number of recorded tunes and the tune numbers match? See page 19.
The tape stops during APMS operation.	<ul style="list-style-type: none"> ● Are all the APMS tune numbers valid? ● Are the tune numbers renumbered?
The sound from the digital input cannot be recorded.	<ul style="list-style-type: none"> ● Is the INPUT selector set to DIGITAL? ● Is the coaxial cable or optical fiber cable connected properly? ● Is the DIGITAL INPUT selector on the rear panel set properly? ● Is the optical fiber cable cut or broken?
The recording level cannot be adjusted when recording from the digital input.	<ul style="list-style-type: none"> ● There is no need to adjust the recording level when recording from the digital input.
Clicking sounds are heard from the tape deck when a button is pressed.	<ul style="list-style-type: none"> ● These sounds are heard when the tape or head protection function is operating. ● These sounds may also be heard when a blank section on the tape is reached during fast-forwarding or rewind. (These sounds are normal.)

SPECIFICATIONS

DAT system ...Rotary head type digital audio tape recorder

Loading system Horizontal front loading

Recording system Serial Copy Management System

Recording sampling frequency

Digital 48 kHz, 44.1 kHz, 32 kHz/2-channel

Analog 48 kHz, 44.1 kHz/2-channel

Quantization system 16 bit linear conversion

Tape speed 8.15 mm /sec.

Fast winding time 45 sec. maximum for 120-minute tape

Overall frequency response

fs=48 kHz 2 Hz to 22 kHz, ± 0.5 dB

fs=44.1 kHz 2 Hz to 20 kHz, ± 0.5 dB

THD + Noise 0.003% at 1 kHz

Dynamic range 92 dB

Separation 96 dB at 1 kHz

Digital input

Coaxial 0.2 Vp-p/75 ohms (IEC 958)

Optical (EIAJ CP-340)

Digital output

Coaxial 0.5 Vp-p/75 ohms (IEC 958)

Optical (EIAJ CP-340)

Analog input

Balance Ref. level +4 dB/10 kohms (XLR 3-31)

Unbalance 0.3 Vrms minimum
for full scale (RCA pin jack)

Analog output

Balance Ref. level +4 dBm/
Full scale +22 dBm (XLR 3-32)

Unbalance 2 Vrms maximum (RCA pin jack)

Headphone output 75 mW/32 ohms maximum
(1/4" phone jack)

Power consumption 28 W

Power supplies

U.S.A. model 120 V, 60 Hz

Europe model 230 V, 50 Hz

Dimensions (W x H x D) 480 x 88 x 329 mm
(18-7/8" x 3-7/16" x 12-15/16")

Weight 6 kg (13 lbs. 4 oz.)

Accessories

Remote control transmitter 1

* Specifications subject to change without notice.

P
L
R
A
D
R
C

ATTENTION: LIRE CECI AVANT DE FAIRE FONCTIONNER L'APPAREIL

1. Cet appareil est une platine à cassette numérique sophistiquée. Pour garantir un fonctionnement sûr pour la meilleure performance possible, lire ce manuel attentivement.
2. Avant d'utiliser cet appareil pour la première fois, attendre 1 à 2 heures après avoir branché le cordon d'alimentation CA sur une prise murale.
3. Choisir avec soin l'emplacement de votre appareil. Eviter de le placer directement au soleil ou près d'une source de chaleur. Eviter aussi les endroits sujets à des vibrations, de la poussière en excès, la chaleur, le froid ou l'humidité. Le garder éloigné de sources de bourdonnement comme des transformateurs ou moteurs. Si une interférence sur la réception TV ou radio se produit pendant le fonctionnement, augmenter la distance entre les deux éléments.
4. Ne pas ouvrir le coffret car ceci peut endommager la platine ou provoquer un choc électrique. Si un objet pénètre dans la platine, consulter votre revendeur.
5. Lors du débranchement du cordon secteur de la prise murale, toujours tirer directement sur la prise; ne jamais tirer sur le cordon.
6. Ne pas forcer lors de l'opération des commutateurs et boutons.
7. Lors du déplacement de la platine, bien débrancher d'abord la prise d'alimentation et retirer tous les câbles raccordant la platine à un autre équipement.
8. Ne pas essayer de nettoyer l'appareil avec des solvants chimiques car ceci peut en endommager la surface. Utiliser un chiffon propre et sec.
9. Si l'appareil ne fonctionne pas correctement pendant qu'il marche, après avoir mis l'interrupteur POWER sur OFF, débrancher la prise du cordon d'alimentation de la prise CA et attendre environ 30 secondes. Après cela, le rebrancher.
10. Bien lire la section "en cas de problème" de ce manuel pour des conseils sur les erreurs de fonctionnement communes avant de conclure que votre appareil est en panne.
11. Garder ce manuel dans un endroit sûr pour une référence future.

Pour le modèle canadien

LE PRESENT APPAREIL NUMERIQUE N'EMET PAS DE BRUITS RADIOELECTRIQUES DEPASSANT LES LIMITES APPLICABLES AUX APPAREILS NUMERIQUES DE LA "CLASS B" PRESCRITES DANS LE REGLEMENT SUR LE BROUILLAGE RADIOELECTRIQUE EDICTE PAR LE MINISTRE DES COMMUNICATIONS DU CANADA.

Nettoyage de la tête

Quand la tête est légèrement sale, du bruit se remarque ou des pertes de niveau se produisent pendant la lecture. Si la tête devient très sale, une erreur de lecture de signal se produit pendant la lecture et le son ne s'entend pas. L'indicateur "WARNING" apparaît alors. Si ceci se produit, utiliser une bande de nettoyage audio numérique du commerce ou demander à votre concessionnaire Yamaha de nettoyer la tête. Après un usage prolongé, la tête peut devoir être changée à cause de l'usure. Consulter votre revendeur Yamaha.

Longévité du tambour

Il est recommandé de remplacer le tambour de tête par un nouveau à moins de 1.500 heures d'usage.

Condensation d'humidité

La condensation est l'humidité qui se forme sur un objet froid dans une pièce chaude. La condensation se forme sur le tambour et la tête à l'intérieur de la platine à cassette, endommageant les bandes et la tête. Cet appareil contient un chauffage anti-condensation. Une fois que l'appareil est branché sur une prise CA, le chauffage se met en route pour éviter la formation de condensation. Il faut 1 à 2 heures pour éliminer la condensation. Quand de la condensation est détectée sur le tambour et la tête, l'indicateur "DEW" apparaît et l'appareil ne fonctionne pas. Attendre environ 1 à 2 heures après que l'affichage retourne à la normale avant d'utiliser l'appareil.

La condensation se produit facilement:
Dans les pièces très humides ou remplies de vapeur.

Lors du déplacement de l'appareil d'un endroit froid à un endroit chaud.

- * Utiliser l'appareil sous des températures de 5°C à 35°C. La condensation se forme aisément en particulier dans les régions à basse température.

Ajustement du volume de l'amplificateur

Les bandes audio numériques produisent beaucoup moins de bruit que les disques microsillon ou les bandes de cassette et les sections entre les programmes sont très calmes. Attention à ne pas trop élever le volume et à ne pas dépasser les taux de l'amplificateur et des haut-parleurs.

L'impédance d'entrée de l'amplificateur recommandée est de 600 ohms ou plus. La connexion d'un amplificateur (ou autre appareil audio externe) ayant une impédance d'entrée trop basse peut diminuer le niveau de sortie.

Montage sur rack

Le panneau avant de cet appareil est conforme aux normes de taille 2U et peut être directement installé dans un rack de 19 pouces. Cependant, si l'espace du rack est trop petit, retirer les 4 pieds du panneau du dessous puis installer l'appareil dans le rack. Si le rack n'est pas bien aéré, la température peut s'élever. Assurer une bonne aération du rack.

SOMMAIRE

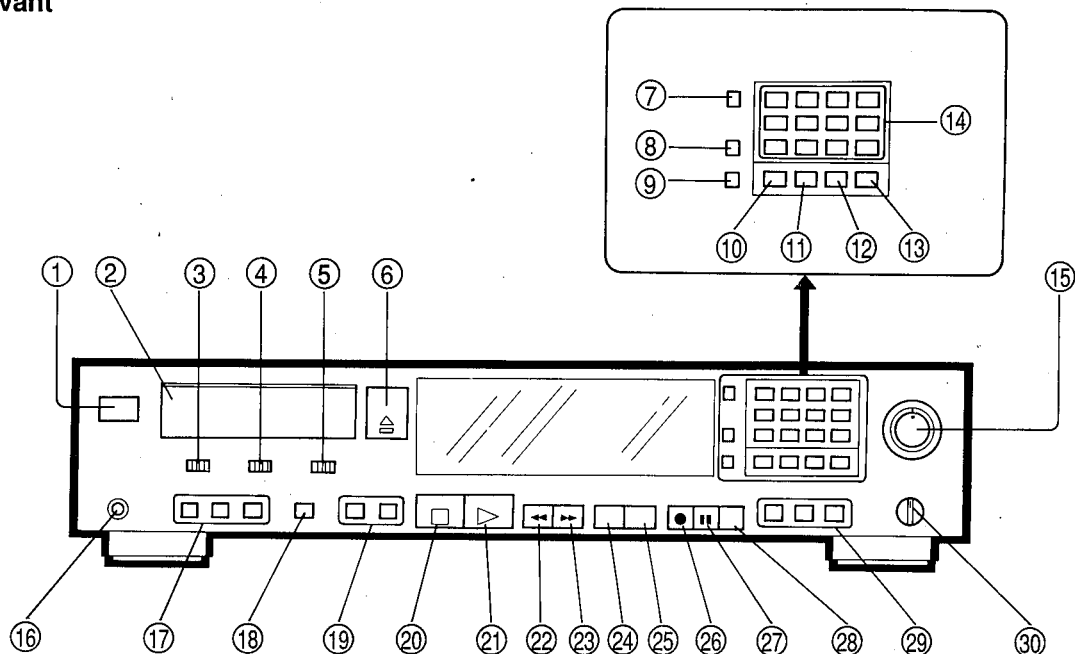
Caractéristiques	32	Signaux d'identification de début et numéros de morceaux	47
Noms des commandes	33	Signaux d'identification de fin	48
Connexions	38	Lecture	50
Bande audio numérique (DAT)	41	En cas de problème	57
Chargement et retrait des cassettes	43	Caractéristiques techniques	58
Enregistrement	44		

CARACTERISTIQUES

- La fonction APMS vous permet de programmer jusqu'à 30 morceaux dans n'importe quel ordre
- La fonction APSS passe au début des morceaux précédents/suivants
- La fonction de sélection directe des morceaux vous permet de lire rapidement n'importe quel morceau en entrant simplement son numéro
- La fonction de recherche ABS vous permet de localiser toute position voulue de la bande par sa durée absolue (durée écoulée depuis le début de la bande)
- La fonction de répétition lit tous les morceaux de la bande ou d'un programme plusieurs fois
- La fonction de lecture avec passage passe les sections non désirées de la bande
- La fonction d'enregistrement automatique de numéro de morceau écrit automatiquement les numéros de morceau sur la bande pendant l'enregistrement
- La fonction pratique de renumérotage vous permet de renuméroter les morceaux après l'édition
- La fonction de recherche de fin permet de continuer facilement un enregistrement à partir de la fin d'un enregistrement précédent
- La fonction de repérage/révision vous permet d'écouter le son pendant l'avance ou le rebobinage rapide
- Vitesse de recherche rapide de jusqu'à 200 fois la vitesse de lecture normale
- Les fréquences d'échantillonnage utilisables de 48 kHz, 44,1 kHz et de 32 kHz vous permettent d'enregistrer/lire une grande variété de sources numériques
- Munie de prises de type équilibrées d'entrée/sortie analogique (XLR-3-31/XLR-3-32)
- Equipée de deux types de prises numériques (prise coaxiale, connecteur optique)
- Emploie un convertisseur A/N à 1 bit théoriquement libre de distorsion dans le circuit de convertisseur A/N, offrant une haute qualité sonore
- La combinaison du filtre numérique et du convertisseur N/A PDM 1 bit offre une qualité sonore supérieure
- Deux moteurs à entraînement direct offrent un transport de bande stable
- Télécommande avec fil

NOMS DES COMMANDES

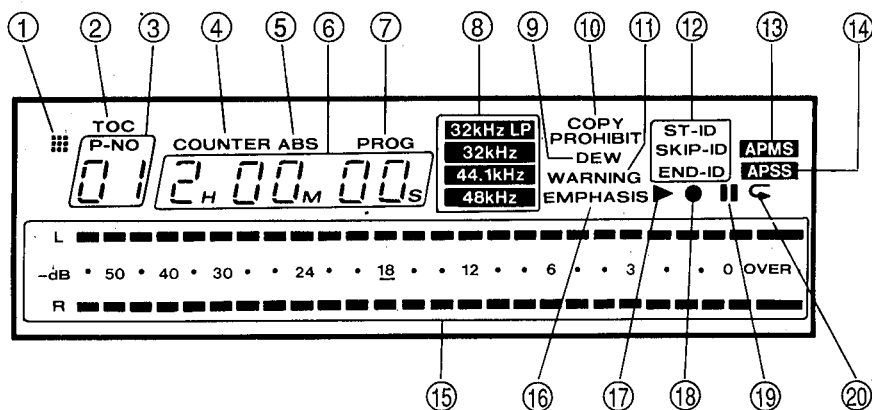
Panneau avant



- ① **Interrupteur d'alimentation (POWER)**
Fournit et coupe l'alimentation.
- ② **Porte-cassette**
Contient la cassette audio numérique.
- ③ **Sélecteur d'entrée (INPUT)**
Le régler sur DIGITAL pour enregistrer à partir d'une source audio connectée aux bornes DIGITAL INPUT. Le régler sur ANALOG pour enregistrer à partir d'une source audio connectée aux bornes ANALOG INPUT.
- ④ **Sélecteur de fréquence d'échantillonnage d'enregistrement (REC fs)**
Lorsque l'enregistrement est effectué en utilisant les bornes ANALOG INPUT, la fréquence d'échantillonnage peut être commutée sur 44,2 kHz ou 48 kHz.
- ⑤ **Touche de lecture avec passage (SKIP PLAY)**
Commute la fonction de lecture avec passage.
- ⑥ **Touche d'ouverture/fermeture (OPEN/CLOSE ▲)**
La presser pour ouvrir le porte-cassette, la presser à nouveau pour le fermer.
- ⑦ **Touche d'affichage (DISPLAY)**
Sélectionne soit la durée absolue (ABS) ou la durée de lecture individuelle des morceaux (PROG) ou le compteur de bande (COUNTER). Quand des bandes qui contiennent des signaux "TOC" sont utilisées, le nombre total de morceaux et la durée de lecture totale sont affichés.
- ⑧ **Touche de remise à zéro du compteur (COUNTER RESET)**
La presser pour remettre le compteur de bande à zéro (0000).
● Uniquement en mode d'affichage de compteur.
- ⑨ **Touche de répétition (REPEAT)**
La presser pour la lecture répétée continue.
- ⑩ **Touche de programme (PROGRAM)**
Utilisée pour la programmation des morceaux.
- ⑪ **Touche d'annulation (CLEAR)**
La presser pour annuler le chiffre d'entrée ou le nx de morceau programmé.
- ⑫ **Touche de rappel (CALL)**
La presser pour vérifier le contenu d'un programme.
- ⑬ **Touche de durée absolue (ABS TIME)**
La presser pour entrer la durée spécifiée pour la recherche de durée absolue.
- ⑭ **Touches numériques**
Utilisées pour sélectionner les numéros de morceaux voulus pour la lecture programmée ou la lecture directe. Ces touches sont aussi utilisées pour entrer la durée spécifiée pour la recherche de durée absolue.
- ⑮ **Commande de niveau d'enregistrement (REC LEVEL)**
Utilisée pour ajuster le niveau d'enregistrement lors de l'enregistrement à partir d'une source audio connectée aux prises ANALOG INPUT. Cette commande peut ajuster indépendamment les canaux de gauche et de droite.
- ⑯ **Prise de casque d'écoute (PHONES)**
Y connecter un casque d'écoute stéréo.

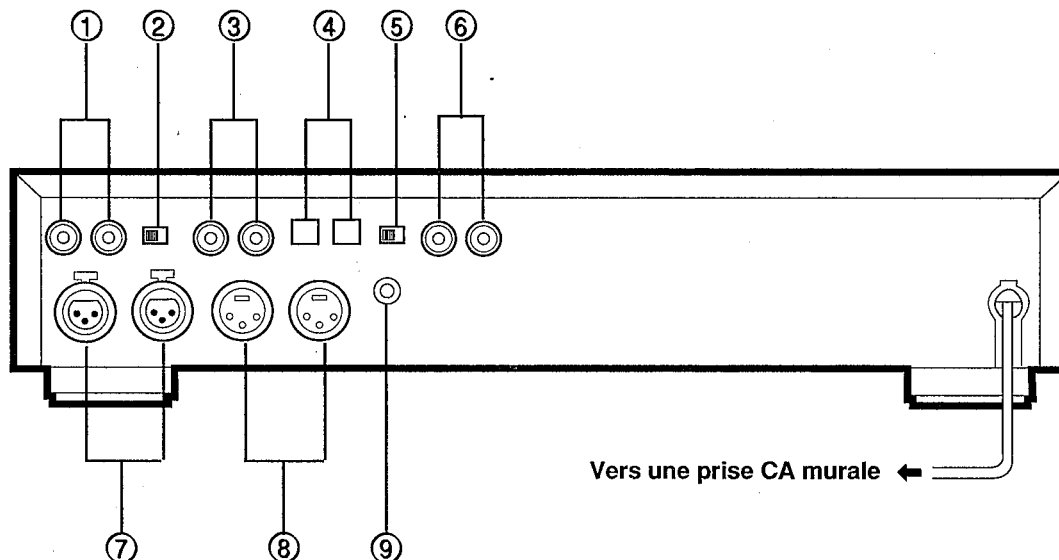
- ⑰ **Touche d'identification de début (START ID)**
AUTO WRITE: La presser pour écrire automatiquement les signaux d'identification de début et leurs numéros de morceau pendant l'enregistrement.
WRITE: Utilisée pour écrire le signal d'identification manuellement pendant l'enregistrement ou la lecture.
ERASE: La presser pour effacer le signal d'identification de début.
- ⑱ **Touche de renumérotage (RENUMBER)**
Utilisée pour renuméroter les morceaux dans l'ordre à partir du début de la bande.
- ⑲ **Touche d'identification de passage (SKIP ID)**
WRITE: La presser pour écrire le signal d'identification de passage. Quand le commutateur SKIP PLAY est réglé sur ON, la lecture passe du point où cette touche a été pressée au début du morceau suivant.
ERASE: La presser pour effacer le signal d'identification de passage.
- ⑳ **Touche d'arrêt (STOP ■)**
La presser pour arrêter le défilement de la bande.
- ㉑ **Touche de lecture (PLAY ►)**
La presser pour commencer la lecture. Quand la touche REC est pressée, une pression sur cette touche ou la touche PAUSE fait démarrer l'enregistrement.
- ㉒ **Touche de rebobinage (REW ◀◀)**
La presser pour rebobiner la bande.
Quand cette touche est pressée pendant la lecture, la lecture recommence à partir du début du morceau actuel. Pour lire le morceau précédent, presser à nouveau cette touche (APSS).
- ㉓ **Touche d'avance rapide (FF ►►)**
La presser pour avancer la bande.
Quand cette touche est pressée pendant la lecture, la lecture commence à partir du début du morceau suivant. (APSS)
- ㉔ **Touche de révision (REVIEW)**
La presser pour rebobiner la bande tout en écoutant son contenu à environ 3 fois la vitesse normale.
- ㉕ **Touche de repérage (CUE)**
La presser pour avancer la bande tout en écoutant son contenu à environ 3 fois la vitesse normale.
- ㉖ **Touche d'enregistrement (REC ●)**
La presser pour engager le mode d'attente d'enregistrement. Pour commencer l'enregistrement, presser la touche PLAY ou PAUSE.
- ㉗ **Touche de pause (PAUSE ||)**
La presser pour arrêter momentanément la lecture ou l'enregistrement. Pour reprendre la lecture ou l'enregistrement, presser la touche PLAY ou à nouveau cette touche.
- ㉘ **Touche d'enregistrement silencieux (REC MUTE)**
La presser pour créer une section vierge pendant l'enregistrement. La section vierge continue tant que la touche est maintenue pressée.
- ㉙ **Touche d'identification de fin (END ID)**
WRITE: Presser cette touche à la fin d'un enregistrement. Le signal d'identification de fin est écrit pour indiquer ce point.
ERASE: Presser pour effacer le signal d'identification de fin.
SEARCH: Presser pour rechercher le signal d'identification de fin. La bande passe rapidement à la fin d'un enregistrement et le suivant peut facilement être démarré à partir de ce point.
- ㉚ **Commande de niveau du casque (PHONES LEVEL)**
Ajuste le volume du casque d'écoute.

Fenêtre d'affichage



- ① **Indicateur de transmission de la télécommande**
S'allume quand la télécommande est utilisée.
- ② **Indicateur de table des matières (TOC)**
S'allume quand une bande contenant une TOC est lue.
- ③ **Affichage du numéro de morceau**
Indique le numéro du morceau.
- ④ **Indicateur de compteur (COUNTER)**
S'allume quand l'affichage est en mode de compteur.
- ⑤ **Indicateur de durée absolue (ABS)**
S'allume quand l'affichage indique la durée ABS (durée de lecture écoulée depuis le début de la bande).
- ⑥ **Affichage de compteur/durée ABS/durée de lecture de morceau/numéro de morceau programmé**
Affiche la lecture du compteur de bande, la durée ABS, la durée de lecture de morceau (durée de lecture écoulée depuis le début du morceau actuel) ou le numéro de morceau programmé.
- ⑦ **Indicateur de programme (PROG)**
S'allume quand l'affichage indique la durée de lecture écoulée depuis le début du morceau actuel.
- ⑧ **Indicateurs de fréquence d'échantillonnage**
S'allument selon la fréquence d'échantillonnage du signal audio.
- ⑨ **Indicateur de condensation (DEW)**
Apparaît quand de la condensation de produit dans cet appareil (tambour, tête, etc.).
- ⑩ **Indicateur d'interdiction de copie (COPY PROHIBIT)**
Apparaît quand un enregistrement ne peut pas être effectué avec un signal numérique. Dans ce cas, enregistrer la source en utilisant les prises ANALOG.
- ⑪ **Indicateur d'avertissement (WARNING)**
Si la tête devient très sale, une erreur de lecture de signal se produit pendant la lecture et le son ne s'entend pas. L'indicateur "WARNING" apparaît alors. Si ceci se produit, utiliser une bande de nettoyage audio numérique du commerce ou demander à votre concessionnaire Yamaha de nettoyer la tête.
- ⑫ **Indicateurs de signal d'identification de début/passage/fin (ST-ID/SKIP-ID/END-ID)**
S'allument quand le signal d'identification de début, de passage ou de fin est détecté ou clignote quand il est écrit ou effacé.
- ⑬ **Indicateur de sélecteur automatique de musique programmable (APMS)**
Apparaît pendant la programmation ou la lecture programmée.
- ⑭ **Indicateur de système de recherche automatique de programme (APSS)**
Apparaît quand le début d'un morceau est recherché.
- ⑮ **Compteur de niveau de crête**
Affiche le niveau d'enregistrement ou le niveau de lecture.
- ⑯ **Indicateur d'accentuation (EMPHASIS)**
Apparaît quand des bandes enregistrées avec accentuation sont lues ou lors de l'enregistrement à partir d'une source numérique sur laquelle l'accentuation est appliquée. La fonction d'accentuation réduit le bruit des hautes fréquences en suramplifiant le niveau des hautes fréquences pendant l'enregistrement (fonction de pré-accentuation) et en le baissant pendant la lecture (fonction de désaccentuation). Cet appareil ne comporte que le circuit de désaccentuation. Vous pouvez lire ou enregistrer des signaux accentués mais ne pouvez pas appliquer l'accentuation aux signaux.
- ⑰ **Indicateur de lecture (▶)**
S'allume quand la touche PLAY est pressée.
- ⑱ **Indicateur d'enregistrement (●)**
S'allume quand la touche REC est pressée.
- ⑲ **Indicateur de pause (||)**
S'allume quand la touche PAUSE est pressée ou en mode d'attente d'enregistrement.
- ⑳ **Indicateur de répétition (↺)**
S'allume pendant la lecture répétée.

Panneau arrière



① **Prises d'entrée analogique (ANALOG INPUT) (prises à broches de type non équilibrées)**
 Quand ces prises sont utilisées pour l'enregistrement, ajuster le niveau d'entrée avec la commande REC LEVEL.

② **Sélecteur d'entrée analogique (ANALOG INPUT)**
 Utilisé pour sélectionner les prises d'entrée analogique entre type équilibré (XLR) et non équilibré.

③ **Prises de sortie analogique (ANALOG OUTPUT) (prises à broches de type non équilibrées)**
 Le niveau de sortie maximum est de 2V.

④ **Prises d'entrée/sortie numérique optique (OPTICAL DIGITAL INPUT/OUTPUT)**
 Ces prises d'entrée/sortie numériques optiques sont basées sur les spécifications EIAJ CP 340.

⑤ **Sélecteur d'entrée numérique (DIGITAL INPUT)**
 Utilisé pour sélectionner les prises d'entrée numérique entre OPTICAL et COAXIAL.

⑥ **Prises d'entrée/sortie numérique coaxiale (COAXIAL DIGITAL INPUT/OUTPUT)**
 Ces prises d'entrée/sortie numériques coaxiales sont basées sur les spécifications IEC 958.

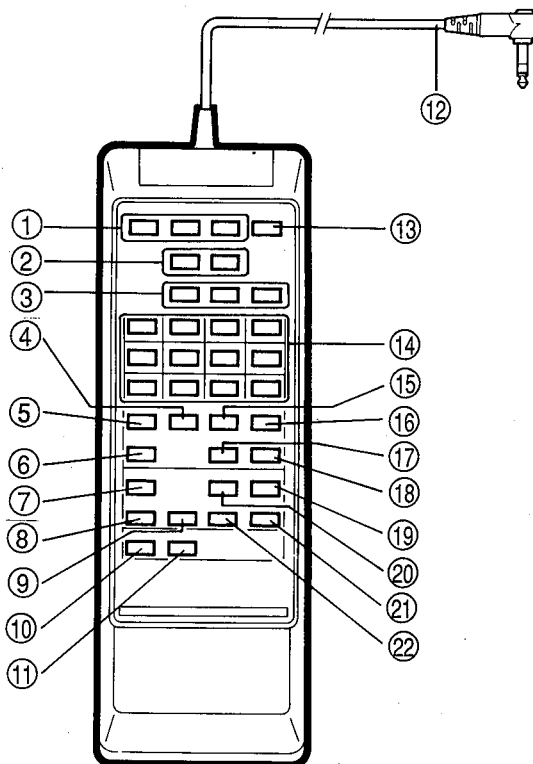
⑦ **Bornes d'entrée analogique (ANALOG INPUT) (prises Cannon de type équilibrées)**
 La seconde broche est active.

⑧ **Bornes de sortie analogique (prises Cannon de type équilibrées)**
 Le niveau de référence est de +4 dBm.

Attribution des broches des connecteurs de type équilibré (XLR-3-31/XLR-3-32)

⑨ **Prise de télécommande (REMOTE)**
 Connecter la télécommande fournie à cette prise.
 * Ne jamais y raccorder une télécommande autre que celle qui est fournie.

Télécommande à fil



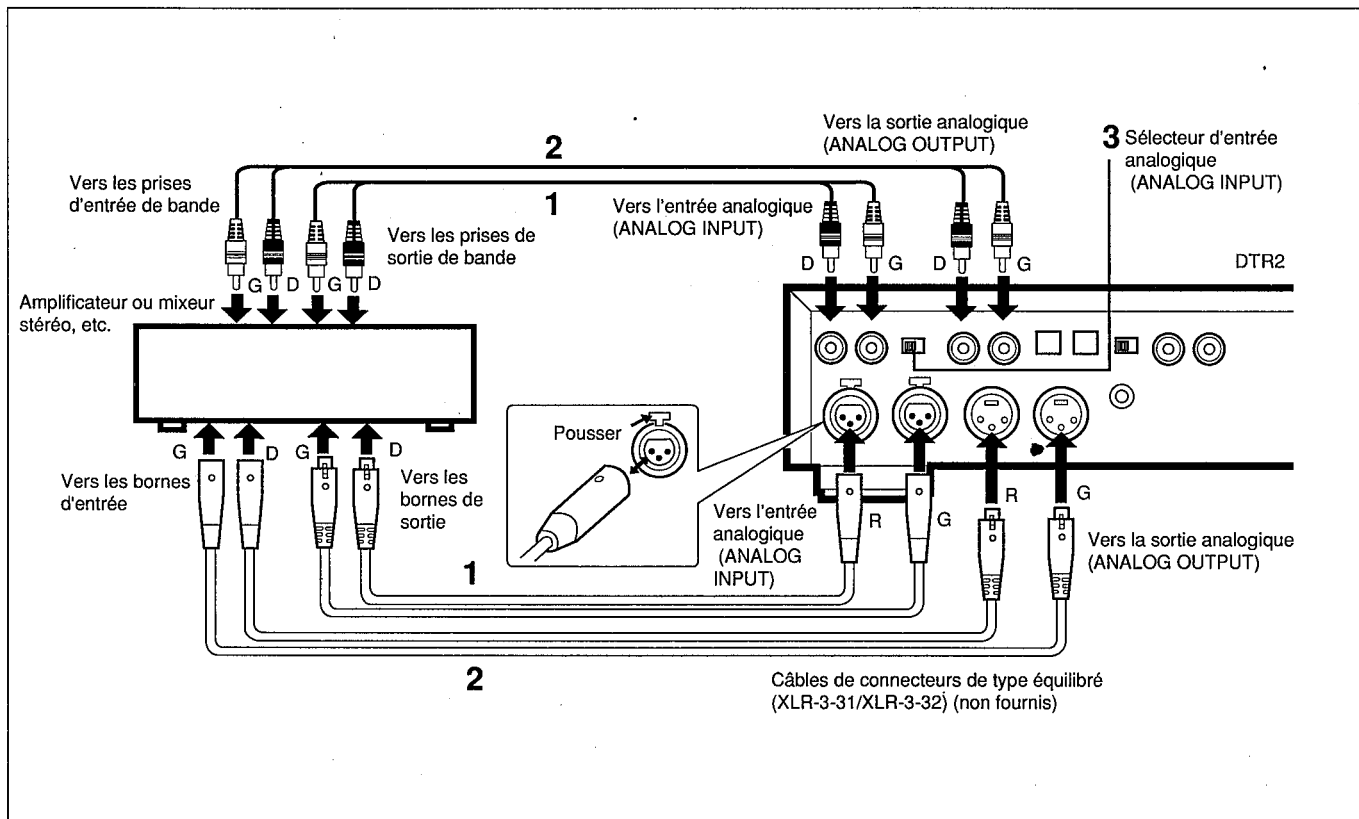
- | | |
|---|---------------------------------------|
| ① Touches d'identification de début | ⑮ Touche de rappel |
| ② Touches d'identification de passage | ⑯ Touche de durée absolue |
| ③ Touches d'identification de fin | ⑰ Touche d'affichage |
| ④ Touche d'annulation | ⑱ Touche de remise à zéro du compteur |
| ⑤ Touche de programme | ⑲ Touche de repérage |
| ⑥ Touche de répétition | ⑳ Touche de révision |
| ⑦ Touche d'ouverture/fermeture (▲) | ㉑ Touche d'avance rapide (▶▶) |
| ⑧ Touche d'arrêt (■) | ㉒ Touche de rebobinage (◀◀) |
| ⑨ Touche de lecture (▶) | |
| ⑩ Touche d'enregistrement (●) | |
| ⑪ Touche de pause (▬) | |
| ⑫ Câble de télécommande
Le connecter à la prise REMOTE du panneau arrière. | |
| ⑬ Touche de renumérotage | |
| ⑭ Touches numériques | |

REMARQUES:

- Toutes les touches ont les mêmes fonctions que celles du panneau avant.
- La télécommande ne requiert pas de pile. L'alimentation est fournie par la prise REMOTE du panneau arrière.

CONNEXIONS

Connexion à un élément audio analogique



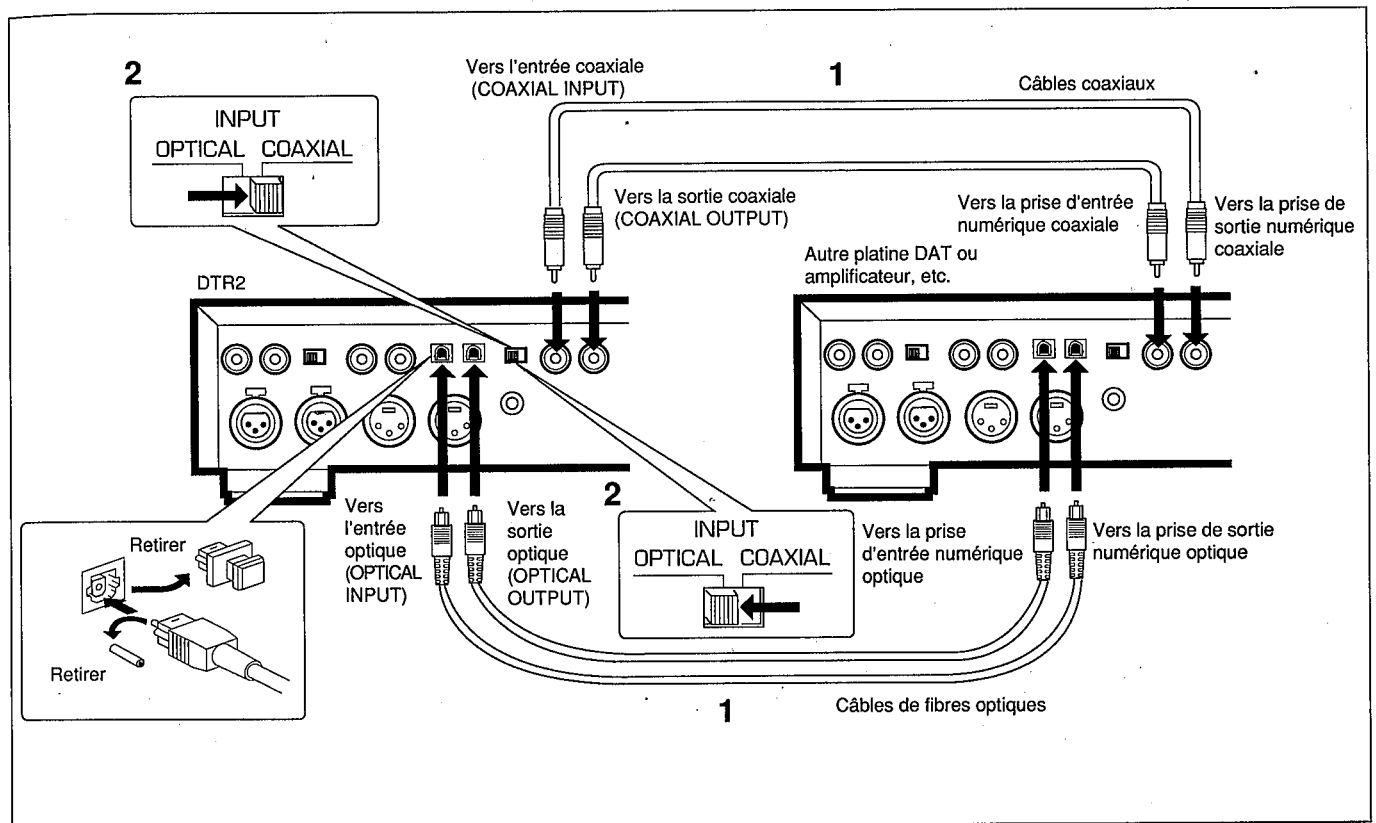
- Bien débrancher les cordons d'alimentation des éléments avant d'effectuer les connexions.
- Les mêmes canaux de cet appareil et de l'autre élément doivent être raccordés correctement: droite sur droite et gauche sur gauche.

- 1** Raccorder les prises d'entrée analogique (ANALOG INPUT) (type équilibré ou non équilibré) de cet appareil aux prises de sortie analogique de l'amplificateur ou du mixeur stéréo. etc.
- 2** Raccorder les prises de sortie analogique (ANALOG OUTPUT) (type équilibré ou non équilibré) de cet appareil aux prises d'entrée analogique de l'amplificateur ou du mixeur stéréo. etc.
- 3** Régler le sélecteur ANALOG INPUT. Lors de l'utilisation des bornes de type équilibré, régler ce sélecteur sur XLR. Lors de l'utilisation des prises de type non équilibré, le régler sur PIN.

REMARQUE:

S'assurer que les connexions sont fermes. Des connexions lâches peuvent provoquer une coupure du son ou du bruit.

Connexion à une autre platine à cassette audio numérique ou à un amplificateur, etc., ayant des prises numériques



- Quand cet appareil est connecté à une autre platine DAT, un amplificateur ou une autre source numérique, comme un lecteur CD avec des prises numériques, l'enregistrement numérique-numérique sera effectué.
- Bien débrancher les cordons d'alimentation des deux éléments avant la connexion.

Lors de l'utilisation des prises COAXIAL DIGITAL

- 1 Connecter la prise COAXIAL DIGITAL INPUT à la prise de sortie numérique coaxiale et la prise COAXIAL DIGITAL OUTPUT à la prise d'entrée numérique coaxiale de l'autre platine DAT ou amplificateur, etc., avec les câbles coaxiaux.
- 2 Régler le sélecteur DIGITAL INPUT sur la position COAXIAL.

Lors de l'utilisation des prises OPTICAL DIGITAL

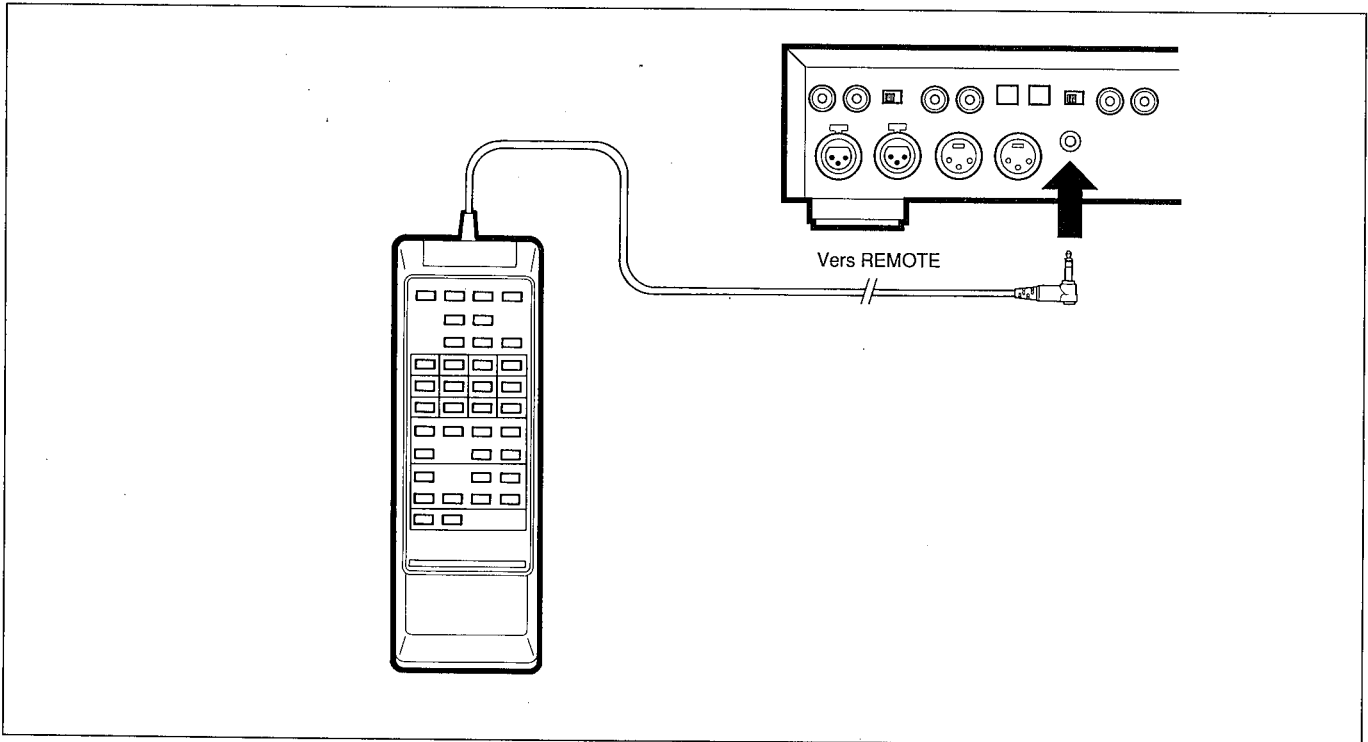
- 1 Connecter la prise OPTICAL DIGITAL INPUT à la prise de sortie numérique optique et la prise OPTICAL DIGITAL OUTPUT à la prise d'entrée numérique optique de l'autre platine DAT ou amplificateur, etc., avec les câbles de fibres optiques.
- 2 Régler le sélecteur DIGITAL INPUT sur la position OPTICAL.

REMARQUES:

- Quand l'interrupteur POWER est sur la position de marche, l'intérieur de la prise OPTICAL OUTPUT s'allume en rouge. Cette lampe rouge (qui est sans danger) est utilisée pour envoyer le signal numérique.
- Ne pas plier le câble de fibres optiques car il est fragile.

Connexion de la télécommande

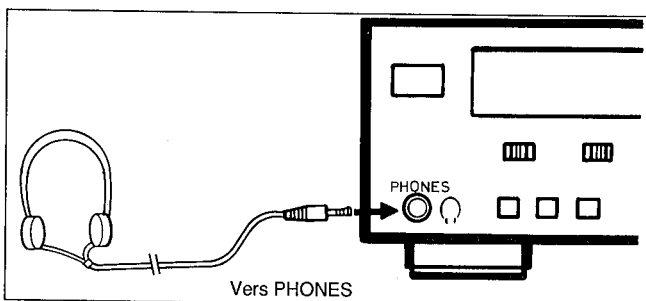
En raccordant le câble de télécommande à la prise REMOTE du panneau arrière, cet appareil peut être activé depuis la télécommande



REMARQUES:

- Ne pas cogner ni faire tomber la télécommande. Ne pas non plus la mouiller ni la laisser dans un endroit humide.
- Ne pas connecter cette télécommande à d'autres appareils.
- Ne raccorder que la télécommande à la prise REMOTE.

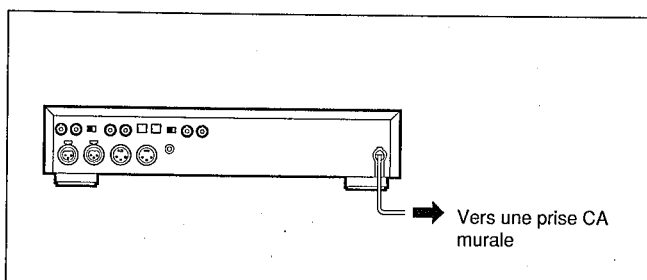
Connexion d'un casque d'écoute



Pour de bons résultats, utiliser un casque de 8 ohms à 32 ohms avec une prise de casque stéréo standard de 6,3 mm.

Le volume du casque peut être ajusté avec la commande PHONES LEVEL.

Connexion du cordon d'alimentation



Après avoir raccordé tous les éléments, brancher le cordon d'alimentation CA sur une prise CA murale.

Bande audio numérique (DAT)

Cassettes DAT

Une cassette DAT mesure 73 mm x 10,5 mm x 54 mm, à peu près la moitié des cassettes audio analogiques. De plus, leur boîtier est construit pour éviter que la bande ne soit rayée ou salie.

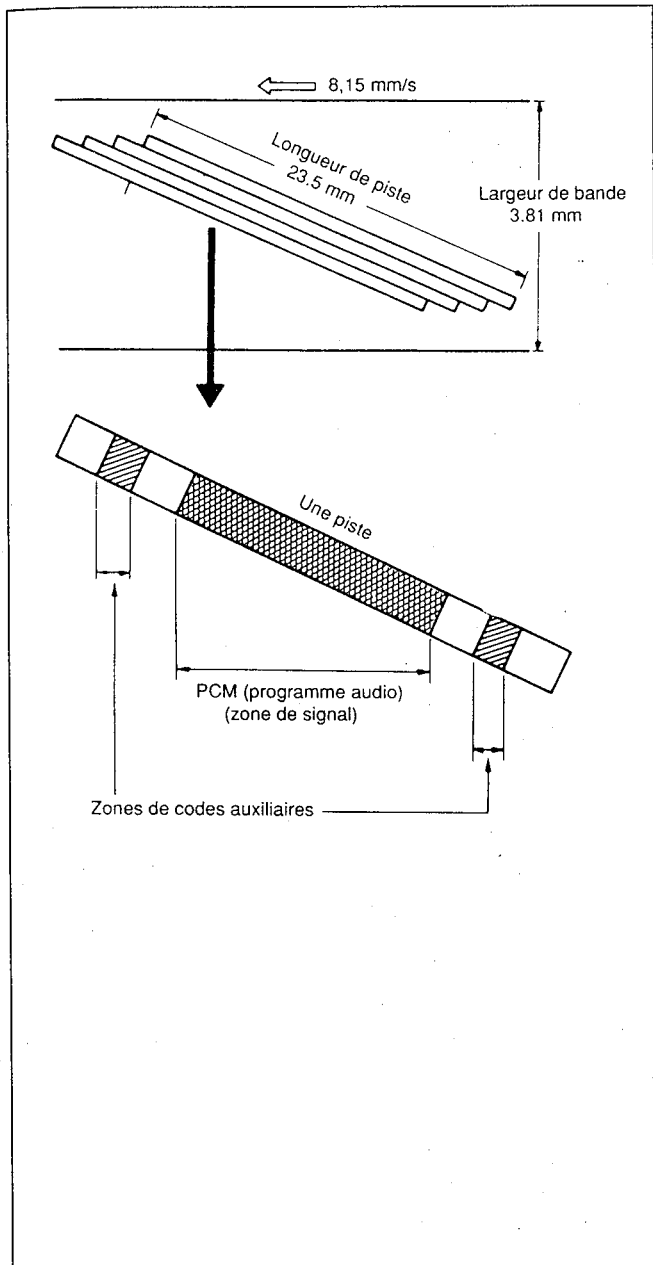
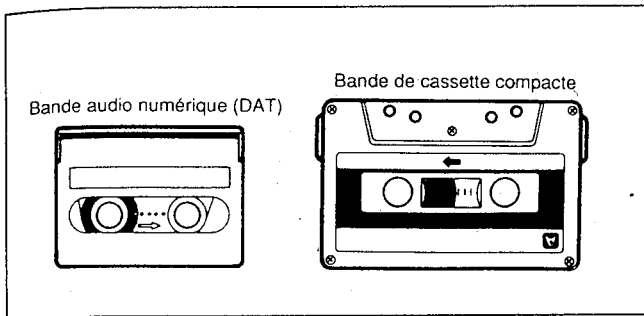
Schéma de l'enregistrement DAT

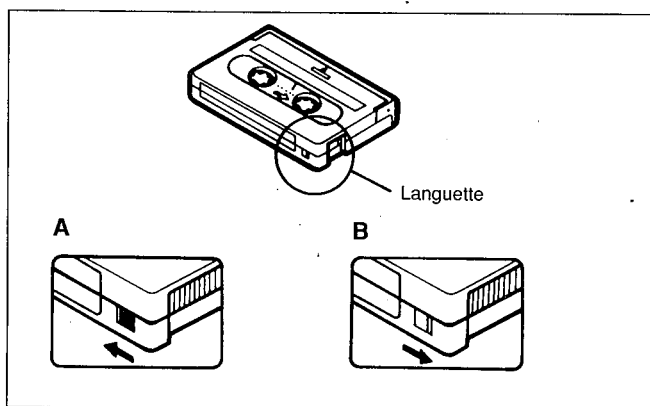
La zone de modulation de code d'impulsion (PCM) (signal audio) est enregistrée avec le signal numérique qui a été converti du signal audio. Les zones de codes auxiliaires sont enregistrées avec des informations comme le numéro de morceau, la durée écoulée de morceaux individuels et la durée absolue. Les zones des codes auxiliaires permettent une recherche précise des morceaux car les signaux dans ces zones sont lus alors que la bande se déplace.

Fréquences d'échantillonnage

Il y a 3 fréquences d'échantillonnage utilisées lors de la conversion des signaux audio analogiques en signaux numériques: 48 kHz, 44,1 kHz et 32 kHz.
48 kHz: Utilisée pour les bandes musicales DAT du commerce ou les bandes DAT standard enregistrées.
44,1 kHz: Utilisée pour les bandes musicales DAT et les CD du commerce.
32 kHz: Utilisée pour les émissions par satellite.

A 32 kHz, cette platine DAT ne peut pas enregistrer les signaux analogiques.





Protection anti effacement

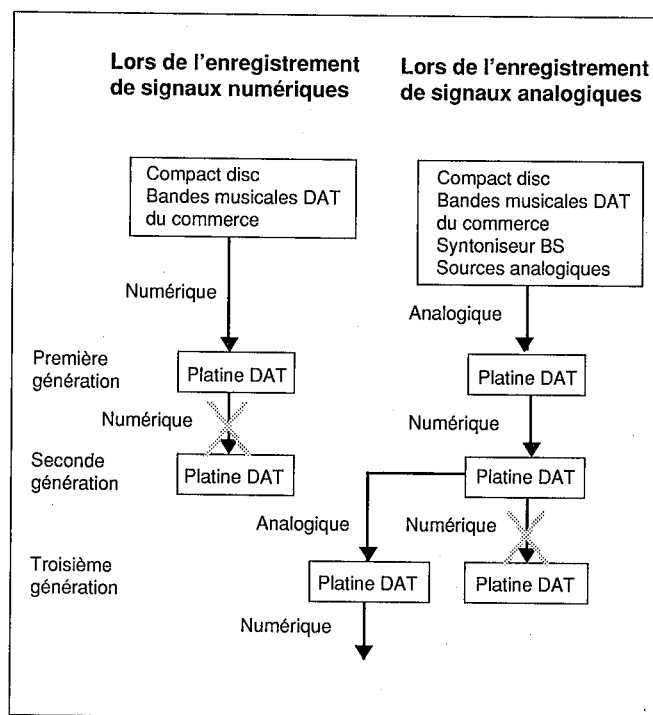
- Pour éviter un effacement accidentel, coulisser la languette vers la gauche pour ouvrir le trou. La bande ne peut pas être enregistrée même si la touche REC est pressée. Voir la figure A.
- Pour permettre de réenregistrer la bande, coulisser la languette vers la gauche pour fermer le trou. Voir la figure B.

Manipulation des bandes audio numériques

- Les bandes audio numériques sont construites avec précision pour enregistrer et lire des données très précises. Ne jamais ouvrir le couvercle de la cassette ni toucher la bande, car ceci peut l'endommager.
- Ne pas utiliser de bandes rayées, sales ou fripées. L'utilisation de telles bandes peut provoquer des pertes de niveau sonore ou endommager la tête.

Entreposage des bandes audio numériques

- Toujours laisser les bandes non utilisées dans leur boîte.
- Eviter d'entreposer les bandes directement au soleil, près d'un équipement générant de la chaleur ou dans des endroits humides.
- Eviter de les entreposer dans des endroits poussiéreux.
- Ne pas les entreposer près de champs magnétiques puissants (par exemple des horloges électroniques, des jouets utilisant des aimants, etc.). Les champs magnétiques endommageront les enregistrements.
- Ne pas faire tomber les bandes ni les soumettre à de fortes vibrations.
- Rebobiner la bande après usage. Si elle est détendue, la rebobiner.

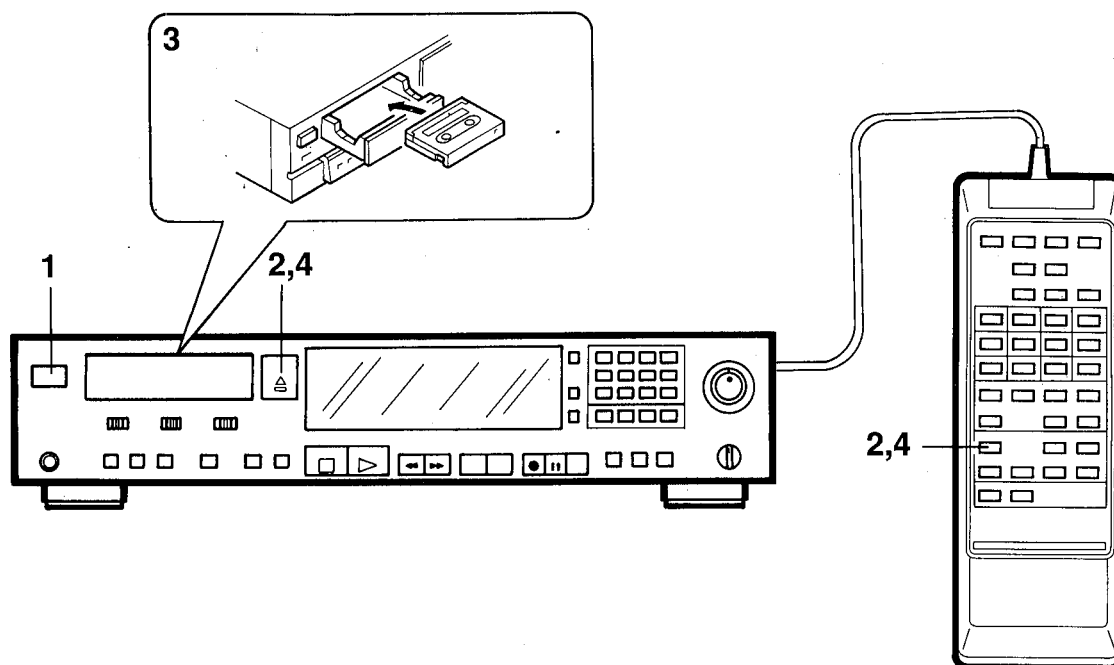


Système de management de copie en série (SCMS)

La plupart des sources numériques contiennent un code d'interdiction de copie. Cet appareil utilise le système de management de copie en série qui permet l'enregistrement numérique-numérique au moins pour une génération. Même quand une bande qui a été enregistrée à partir de sources analogiques est copiée, ce système considère la source comme une source numérique contenant le code d'interdiction de copie du fait que la copie a été effectuée via le convertisseur A/N et ne permet l'enregistrement numérique-numérique que pour une génération.

CHARGEMENT ET RETRAIT DES CASSETTES

Chargement d'une cassette



- 1 Mettre l'interrupteur POWER sur ON.
- 2 Presser la touche OPEN/CLOSE (▲) pour ouvrir le porte-cassette.
"OPEN" clignote à l'affichage.

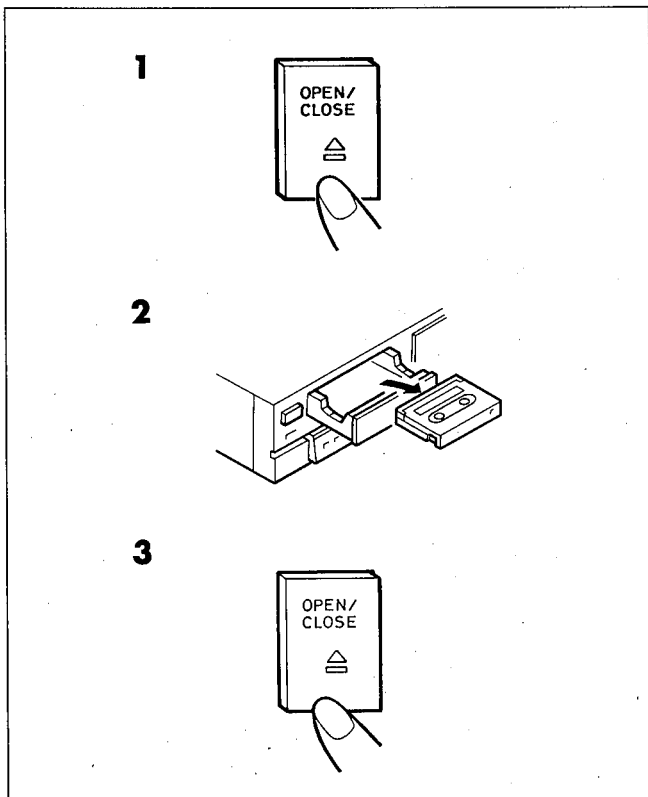
- 3 Placer une cassette DAT dans le porte-cassette.
S'assurer que la fenêtre de la cassette vous fait face et que la languette coulissante vous fait face sur le côté droit.
- 4 Presser à nouveau la touche OPEN/CLOSE (▲) pour fermer le porte-cassette.

Retrait de la cassette

- 1 Presser la touche OPEN/CLOSE (▲) pour ouvrir le porte-cassette.
- 2 Retirer la cassette du porte-cassette.
- 3 Presser à nouveau la touche OPEN/CLOSE (▲) pour fermer le porte-cassette.

REMARQUES:

- Le porte-cassette ne se ferme pas complètement si la bande est mal insérée. Dans ce cas, presser la touche OPEN/CLOSE (▲) pour ouvrir le porte-cassette et insérer à nouveau la cassette.
- Si le porte-cassette ne se ferme pas complètement, il s'ouvrira automatiquement après environ 10 secondes, même si la touche OPEN/CLOSE (▲) n'est pas pressée.
- Ne pas essayer d'ouvrir ni de fermer le porte-cassette à la main car ceci l'endommagera.



ENREGISTREMENT

Introduction à l'enregistrement DAT

A la différence des bandes audio ordinaires, de nombreux codes appelés codes auxiliaires peuvent être écrits sur les cassettes DAT séparément du signal audio. Les codes auxiliaires sont écrits pour toute une variété de fonctions pratiques en lecture et édition de bande. Vous pouvez écrire trois types de codes auxiliaires: identification de début, identification de fin et identification de passage.

Identification de début: Indique le début de chaque morceau et est utilisée pour la programmation et la recherche des morceaux.

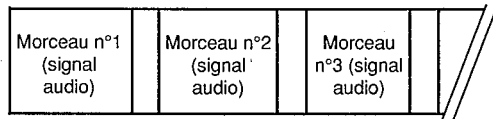
Identification de fin: Indique la fin d'un enregistrement.

Identification de passage: Indique le début d'une section à passer.

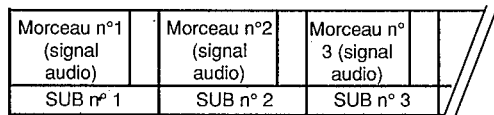
En outre, la durée absolue est automatiquement écrite après que l'enregistrement est terminé.

- Avant d'effectuer un enregistrement important, il est recommandé de faire un essai pour s'assurer que l'audio désiré est enregistré correctement.

Cassette audio ordinaire



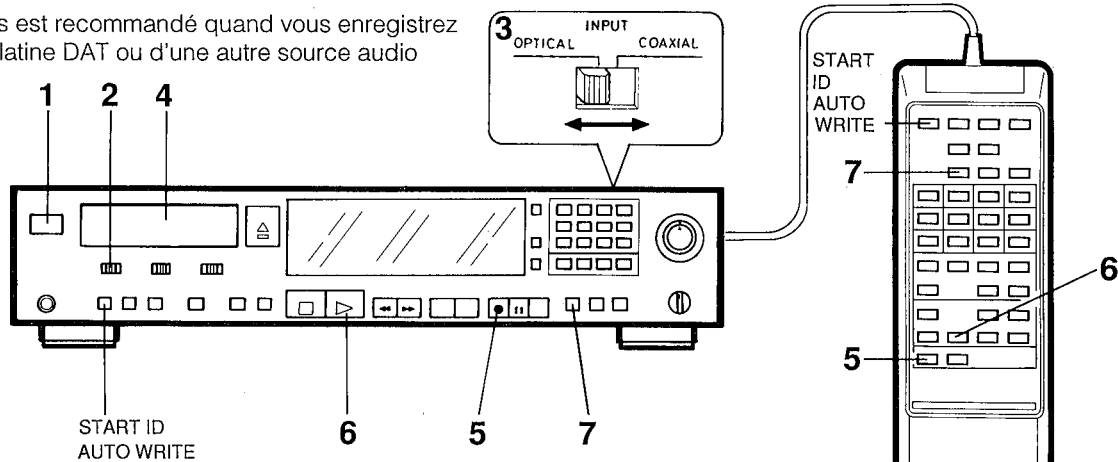
Cassette DAT



(SUB = zone de code auxiliaire)

Enregistrement à partir des prises d'entrée numérique (prise coaxiale ou optique)

Ce processus est recommandé quand vous enregistrez d'une autre platine DAT ou d'une autre source audio numérique.



1 Fournir l'alimentation.

Quand l'alimentation est fournie, la touche START ID AUTO WRITE est automatiquement mise en circuit et la touche s'allume. Les numéros de morceaux seront automatiquement écrits pendant l'enregistrement. Si les numéros de morceaux ne sont pas nécessaires, presser la touche START ID AUTO WRITE pour que l'illumination de la touche s'éteigne.

2 Régler le sélecteur INPUT sur la position DIGITAL.

3 Régler le sélecteur DIGITAL INPUT du panneau arrière selon les prises à utiliser.

Prises coaxiales: Le régler sur la position COAXIAL.
Prises optiques: Le régler sur la position OPTICAL.

4 Charger une cassette DAT dans le porte-cassette.

5 Presser la touche REC (●).

L'appareil entre en mode d'attente d'enregistrement. Lors de l'enregistrement depuis le début de la bande, une section silencieuse d'environ 7 secondes est automatiquement enregistrée avant que la platine n'entre en mode d'attente d'enregistrement.

6 Régler la source à enregistrer sur le mode de lecture et presser la touche PLAY (▶) pour commencer l'enregistrement.

Quand la touche START ID AUTO WRITE est en circuit et que l'appareil détecte une section silencieuse de plus de 2 secondes, un signal d'identification de début est écrit et le morceau est automatiquement numéroté.

7 Quand l'enregistrement est terminé, presser la touche END ID WRITE.

Une fois que le signal d'identification de fin est écrit, la bande s'arrête automatiquement.

- Si le signal d'identification de fin est écrit, il est facile de continuer un enregistrement à partir de la fin de l'enregistrement précédent. Voir page 48.

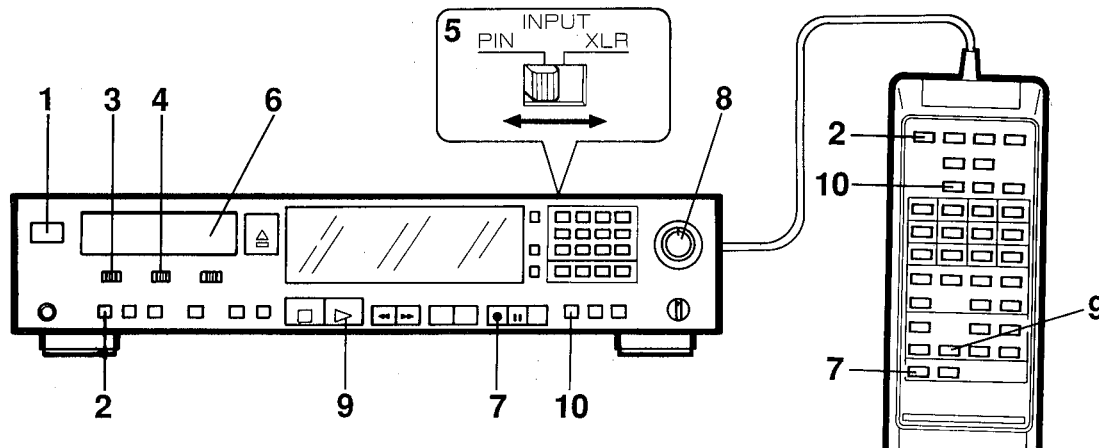
REMARQUES:

- Quand des sources numériques sont enregistrées à partir d'une platine DAT qui peut envoyer des signaux de code de catégorie "DAT" et d'identification de début et de passage aux sorties numériques, s'assurer que la touche START ID AUTO WRITE est en circuit (allumée). L'appareil enregistre les signaux d'identification de début et de passage qui sont contenus dans la source, et ce tels quels.
- Si l'alimentation de la source à enregistrer est hors circuit, l'appareil entre en mode d'attente d'enregistrement et le défilement de la bande s'arrête. Dans cet état, la mise sous tension de la source à enregistrer fait reprendre l'enregistrement à partir du numéro de morceau suivant.
- Lors de l'enregistrement par les prises d'entrée numérique, aucun signal n'est mis en sortie sur les prises de sortie numérique.
- Bien régler le sélecteur INPUT et le sélecteur DIGITAL INPUT avant l'enregistrement. S'ils sont commutés pendant l'enregistrement, l'appareil entre en mode de pause.
- La fréquence d'échantillonnage est automatiquement commutée selon la source à enregistrer.
- Lors de l'enregistrement à partir des prises d'entrée numériques, il n'est pas nécessaire d'ajuster le niveau d'enregistrement.

Enregistrement à partir des prises d'entrée analogiques

Ce processus est recommandé lors d'un enregistrement à partir d'une console de mixage; d'une platine à cassette analogique, d'un syntoniseur, d'une platine tourne-disque ou autre source audio externe similaire.

Lors de l'enregistrement à partir de ces sources, les numéros de morceau peuvent ne pas être écrits correctement avec la fonction d'écriture automatique de signal d'identification de début. Dans ce cas, vous pouvez écrire manuellement les signaux d'identification de début pendant l'enregistrement ou après. Voir page 47.



1 Fournir l'alimentation.

2 Régler la touche START ID AUTO WRITE.

Si la source à enregistrer ne contient pas une section silencieuse d'environ 2 secondes entre les morceaux, presser la touche START ID AUTO WRITE pour que l'illumination de la touche s'éteigne.

3 Régler le sélecteur INPUT sur la position ANALOG.

4 Régler le sélecteur REC fs.

5 Régler le sélecteur ANALOG INPUT du panneau arrière selon les prises à utiliser.

Prises à broches non équilibrées: Le régler sur la position PIN.

Prises à broches équilibrées: Le régler sur la position XLR.

6 Charger une cassette DAT.

7 Presser la touche REC (●).

L'appareil entre en mode d'attente d'enregistrement. Lors de l'enregistrement depuis le début de la bande, une section silencieuse d'environ 7 secondes est automatiquement enregistrée avant que la platine n'entre en mode d'attente d'enregistrement.

8 Lire la source à enregistrer et ajuster le niveau d'enregistrement avec la commande REC LEVEL. Voir ci-dessous.

9 Presser la touche PLAY (▶) pour commencer l'enregistrement.

10 Quand l'enregistrement est terminé, presser la touche END ID WRITE.

Une fois que le signal d'identification de fin est écrit, la bande s'arrête automatiquement.

- Si le signal d'identification de fin est écrit, il est facile de continuer un enregistrement à partir de la fin de l'enregistrement précédent. Voir page 48.

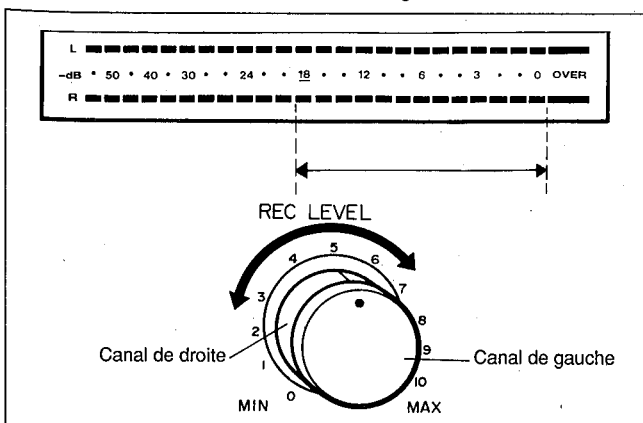
REMARQUE:

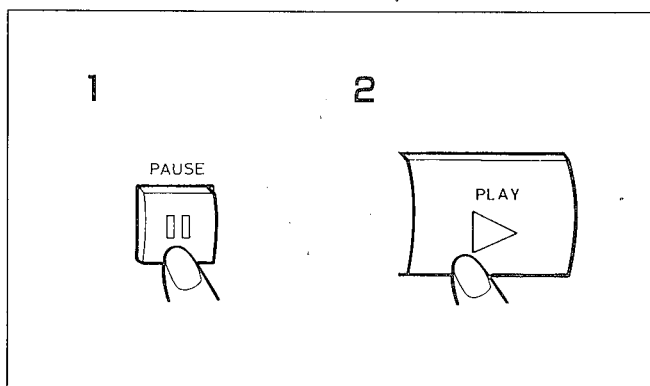
Bien régler les sélecteurs INPUT, ANALOG INPUT et REC fs avant l'enregistrement. Si le sélecteur INPUT ou REC fs est commuté pendant l'enregistrement, l'appareil entre en mode de pause. Si le sélecteur ANALOG INPUT est commuté, une section vierge de quelques secondes est enregistrée.

Pour ajuster le niveau d'enregistrement lors de l'enregistrement à partir des prises d'entrée analogiques

Comme guide, ajuster le niveau d'enregistrement pour que le compteur de niveau de crête soit entre "-18 dB" et "0". S'assurer que les niveaux de crête n'atteignent pas "OVER". Si les niveaux de crête dépassent "0", "OVER" s'allume et un son distordu peut en résulter.

- Si les niveaux d'enregistrement pour les canaux de gauche et de droite sont différents, ajuster séparément les canaux de gauche et de droite. (Voir la figure.)



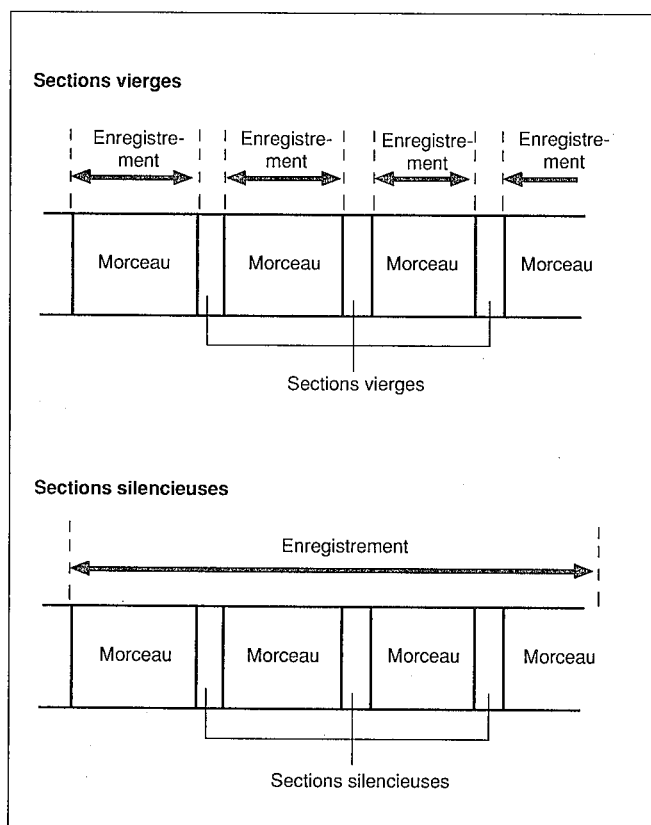


Pour arrêter momentanément l'enregistrement

- 1 **Presser la touche PAUSE (||).**
L'enregistrement s'arrête momentanément.
- 2 **Presser la touche PLAY (▶) ou la touche PAUSE (||) à nouveau pour reprendre l'enregistrement.**
 - Quand la touche START ID AUTO WRITE est en circuit (allumée), le signal d'identification de début est écrit au point où l'enregistrement reprend.

REMARQUE:

Pour protéger la bande et la tête, cette dernière sera séparée de la bande après qu'environ 5 minutes se soient écoulées en mode de pause d'enregistrement.



Sections vierges et sections silencieuses

Sur les bandes audio analogiques conventionnelles, les sections sur lesquelles aucun enregistrement n'a été effectué (section vierge créée par l'avance rapide, etc.) et les sections sur lesquelles un enregistrement a été effectué mais qui ne comporte pas de son (section créée par la fonction d'enregistrement silencieux) sont traitées de la même manière et elles sont utilisées pour la recherche de morceaux, du fait qu'aucun son ne s'entend dans ces sections.

Au contraire, la platine DAT distingue les sections vierges et les sections silencieuses. Si des sections vierges restent sur la bande, le fonctionnement de la recherche avec la fonction APSS peut prendre longtemps et la recherche utilisant la durée absolue risque de ne pas se produire correctement. Par conséquent, lors de l'enregistrement, s'assurer qu'aucune section vierge n'est laissée sur la bande.

De plus, du fait que les sections silencieuses entre les morceaux doivent être enregistrées sur les bandes audio analogiques pour la recherche des morceaux, les sections silencieuses entre les morceaux sont recommandées, si l'on considère le point de vue de la copie de cassettes DAT sur des bandes audio analogiques.

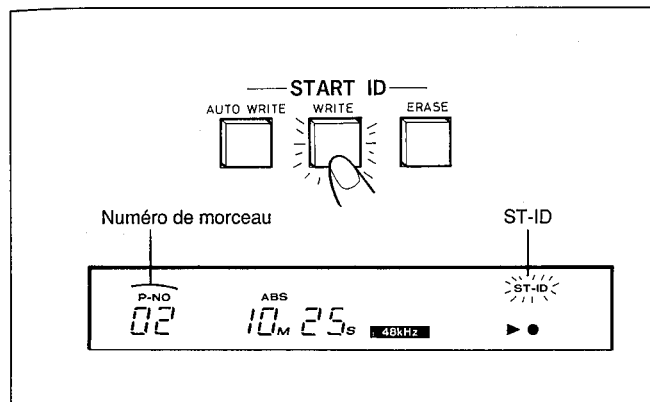
- Pour insérer un silence entre les morceaux, presser la touche REC MUTE pendant l'enregistrement. Une section silencieuse sera créée tant que la touche est maintenue pressée. Il est recommandé de créer une section silencieuse d'environ 4 secondes pour la copie ultérieure sur une bande audio analogique. Ne pas créer de sections vierges en avançant la bande avec la touche FF (▶▶) ou PLAY (▶).
- Pour commencer l'enregistrement au cours de la bande, utiliser la fonction de recherche de fin (page 20) pour localiser la fin de l'enregistrement précédent. Ceci évitera de laisser une section vierge.

SIGNAUX D'IDENTIFICATION DE DEBUT ET NUMEROS DE MORCEAUX

Le numéro réel d'un morceau enregistré sur une bande et le numéro de morceau affiché sur l'appareil peuvent être différents, même si les numéros de morceaux sont automatiquement écrits avec la fonction START ID AUTO WRITE. Ceci peut arriver à cause du contenu du morceau enregistré.

Les numéros de morceaux peuvent ne pas être enregistrés correctement lors de l'enregistrement à partir de sources dont le contenu est le suivant:

- Conversations avec des coupures
- Bas niveau d'enregistrement global



- Intervalles courts (moins de 2 secondes) entre les morceaux
- Longs passages en pianissimo
- Bruit ou bourdonnement entre les morceaux.

Si les numéros de morceaux ne sont pas écrits correctement, il peut être nécessaire d'ajouter ou d'effacer les numéros de morceaux.

Quand l'enregistrement est effectué à partir de sources sans silence entre les morceaux, il est recommandé d'écrire manuellement les numéros de morceaux pendant ou après l'enregistrement.

Pour écrire manuellement les numéros de morceaux pendant l'enregistrement

Presser la touche START ID WRITE (la touche s'allume) au début de chaque morceau.

A chaque pression sur la touche START ID WRITE, le signal d'identification de début est écrit et le numéro de morceau passe au suivant. Pendant que le signal d'identification de début est écrit, l'indicateur ST-ID clignote.

- L'écriture manuelle des numéros de morceau est possible quel que soit le réglage de la touche START ID AUTO WRITE.
- Jusqu'à 99 numéros de morceau peuvent être écrits. Si une bande qui contient plus de 99 morceaux est lue, le numéro de morceau n'est pas affiché après le 100ème.

Pour écrire manuellement les signaux d'identification de début pendant la lecture

Un signal d'identification de début indique le début d'un morceau. Si ce signal et le numéro de morceau correspondant ne sont pas écrits, la sélection de morceau par l'APSS, l'APMS et directe est impossible.

Si les signaux d'identification de début et les numéros de morceau ne sont pas correctement écrits sur une bande, insérer les signaux d'identification de début selon le processus suivant puis les renuméroter (page 48).

1 Pendant la lecture, presser la touche START ID WRITE (la touche commence à clignoter) au point où le signal d'identification de début doit être inséré.

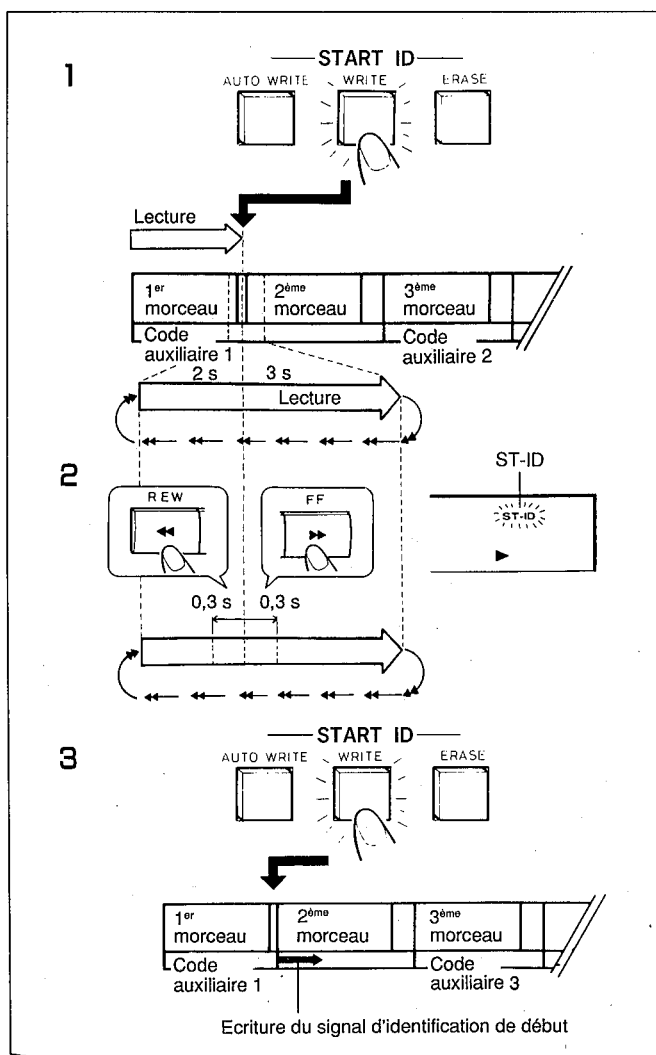
La bande est lue pendant 3 secondes puis rebobinée à un point 2 secondes avant que la touche START ID WRITE a été pressé. La lecture commence à partir de ce point pendant 5 secondes et se répète 10 fois (lecture test). Du fait que l'indicateur ST-ID s'allume quand la bande détecte le signal d'identification de début, l'emplacement du signal d'identification de début peut être vérifié. Le vérifier tout en écoutant la lecture test.

2 Si le signal d'identification de début n'est pas correctement inséré au début du morceau, le déplacer vers l'arrière ou l'avant avec les touches REW (◀) ou FF (▶).

A chaque pression sur la touche REW (◀), le signal d'identification de début recule de 0,3 secondes. A chaque pression sur la touche FF (▶), il se déplace vers l'avant de 0,3 secondes.

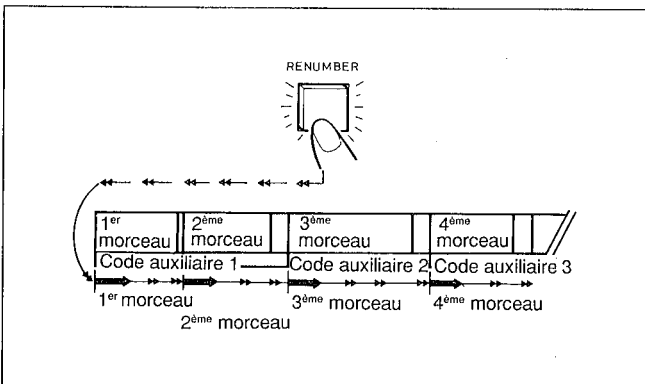
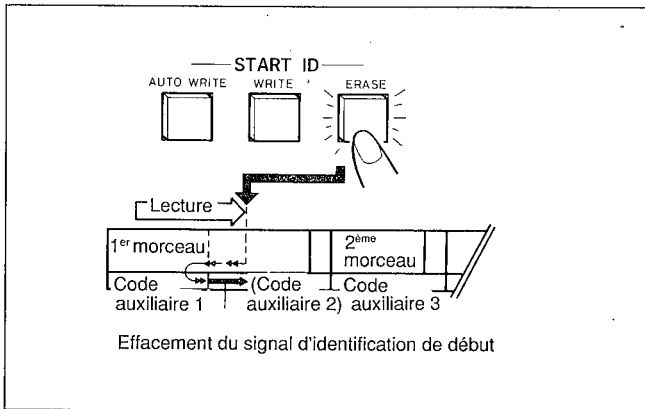
3 Quand le signal d'identification de début est correctement inséré, presser à nouveau la touche START ID WRITE pendant la lecture test.

La touche s'allume et la bande est rebobinée jusqu'au début du morceau et le signal d'identification de début est écrit. (Pendant l'écriture, l'indicateur ST-ID clignote.) La lecture reprend après que le signal d'identification de début soit écrit.



Remarque concernant les signaux d'identification de début

- Si un signal d'identification de début est écrit sur un point où un signal d'identification de passage a été écrit, le signal d'identification de passage est effacé.



- L'intervalle entre les signaux d'identification de début (durée de lecture d'un morceau) doit être de plus de 9 secondes. Cet intervalle de 9 secondes est nécessaire pour garantir un fonctionnement correct de la fonction APSS, APMS et le renumérotage des morceaux.

Pour effacer les signaux d'identification de début

Si un signal d'identification de début est écrit à un point inutile, vous pouvez l'effacer pendant la lecture. Bien renuméroter les morceaux après avoir effacé un signal d'identification de début.

Presser la touche **START ID ERASE** (la touche clignote) quand l'indicateur **ST-ID** apparaît à l'affichage.

La bande se rebobine jusqu'au début du morceau en cours de lecture et le signal d'identification de début est effacé. Pendant l'effacement, l'indicateur ST-ID clignote. La lecture reprend après que le signal d'identification de début soit effacé.

- Si un morceau de morceau est aussi écrit avec le signal d'identification de début, les deux signaux seront effacés en même temps.

Pour renuméroter les numéros de morceau

Quand les signaux d'identification de début sont insérés ou effacés, les numéros de morceau sont déplacés. Les renuméroter selon ce processus.

Presser la touche **RENUMBER** en mode d'arrêt.

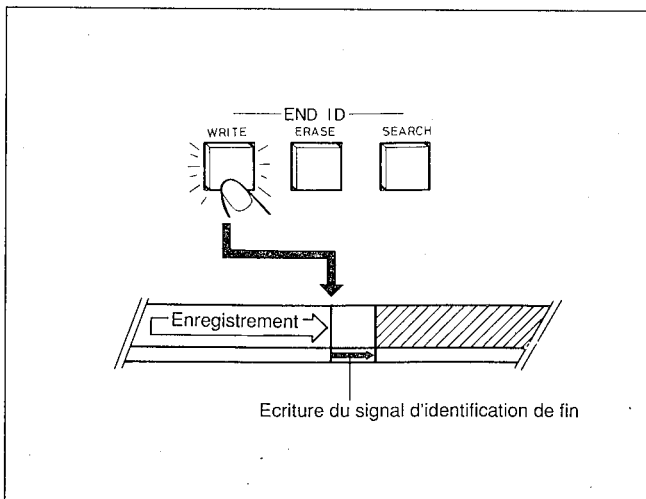
La bande est rebobinée jusqu'au début de la bande et les numéros de morceau sont automatiquement renumérotés à grande vitesse. Chaque fois que l'appareil détecte un signal d'identification de début, le numéro de morceau correct est écrit en commençant par P-NO1.

- Quand le renumérotage est terminé à la fin de la bande, celle-ci est automatiquement rebobinée jusqu'au début.

SIGNAUX D'IDENTIFICATION DE FIN

Un signal d'identification de fin indique la fin d'un enregistrement. La bande n'avance pas au-delà du point où ce signal est écrit. Il est par conséquent facile de

continuer un enregistrement à partir de la fin d'un autre. Ceci évite aussi de créer une section vierge entre les enregistrements.



Pour écrire un signal d'identification de fin

Pendant l'enregistrement, presser la touche **END ID WRITE**.

Une section silencieuse est automatiquement insérée et le signal d'identification de fin est écrit. Alors que le signal d'identification de fin est écrit, l'indicateur END-ID clignote puis la bande s'arrête automatiquement.

- Quand l'appareil détecte un signal d'identification de fin pendant la lecture, l'avance rapide ou le repérage, le numéro de morceau change pour "EE" et la bande s'arrête automatiquement.
- Ne pas écrire un signal d'identification de fin si l'intervalle entre les signaux d'identification de début est inférieur à 9 secondes. Les fonctions APSS et de renumérotage risquent de ne pas être correctement effectuées.

Pour continuer un enregistrement à partir de la fin d'un autre

1 Presser la touche END ID SEARCH en mode d'arrêt ou pendant la lecture.

La touche commence à clignoter. La bande est rebobinée au début puis est avancée rapidement au point où le signal d'identification de fin est écrit (fonction de recherche de fin). L'illumination de la touche s'éteint quand la bande s'arrête.

2 Commencer l'enregistrement à partir du point où la bande s'arrête.

Les numéros de morceau et la durée absolue continueront à partir du contenu enregistré auparavant.

- Le signal d'identification de fin de l'enregistrement précédent est automatiquement effacé.

Pour effacer un signal d'identification de fin

Un signal d'identification de fin est automatiquement effacé quand un enregistrement successif est effectué avec la fonction de recherche de fin. Pour effacer un signal d'identification de fin sans enregistrement le suivant, procéder comme suit.

Quand la bande s'arrête après la recherche de fin, presser la touche END ID ERASE.

La touche commence à clignoter. Quand le signal d'identification de fin est effacé, la bande s'arrête. (Pendant l'effacement d'un signal d'identification de fin, la bande est avancée pendant quelques secondes et l'indicateur END-ID clignote.)

Pour effacer le contenu enregistré

Quand vous effectuez un enregistrement sur un autre, l'enregistrement précédent est automatiquement effacé. Pour effacer le contenu enregistré sans faire de nouvel enregistrement, procéder comme suit.

1 Régler le sélecteur INPUT sur la position ANALOG.

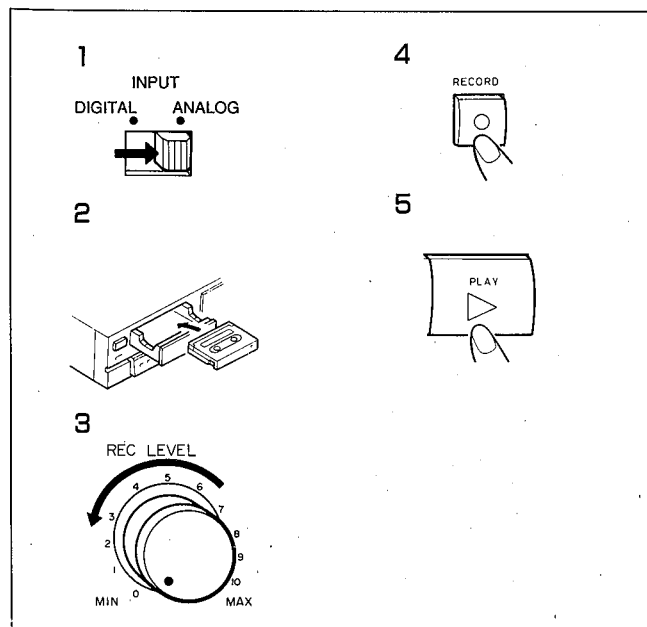
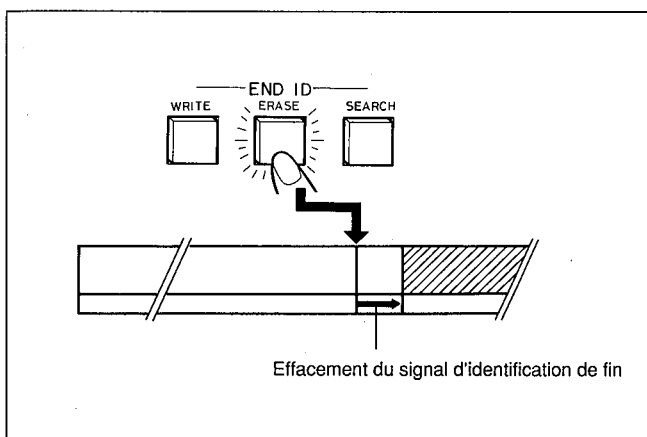
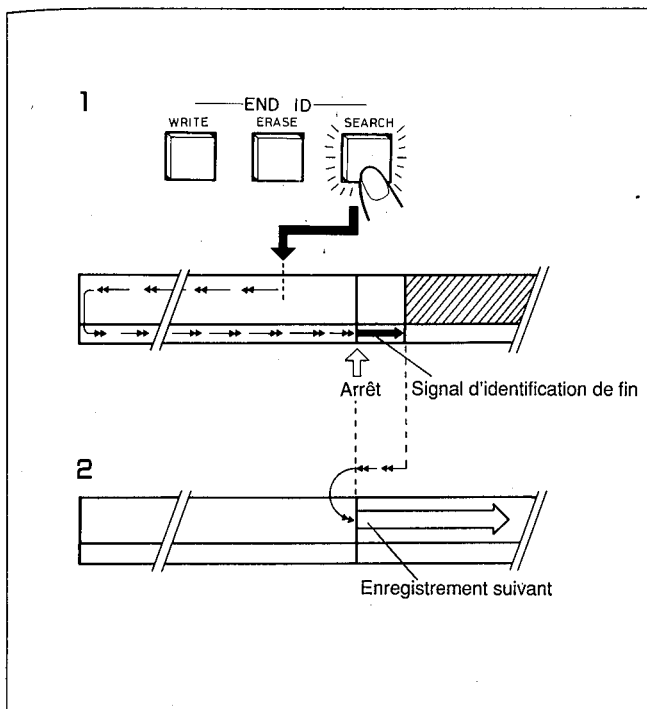
2 Charger la bande dans le porte-cassette.

3 Tourner la commande REC LEVEL complètement dans le sens contraire des aiguilles d'une montre sur 0 (MIN).

4 Presser la touche REC (●)

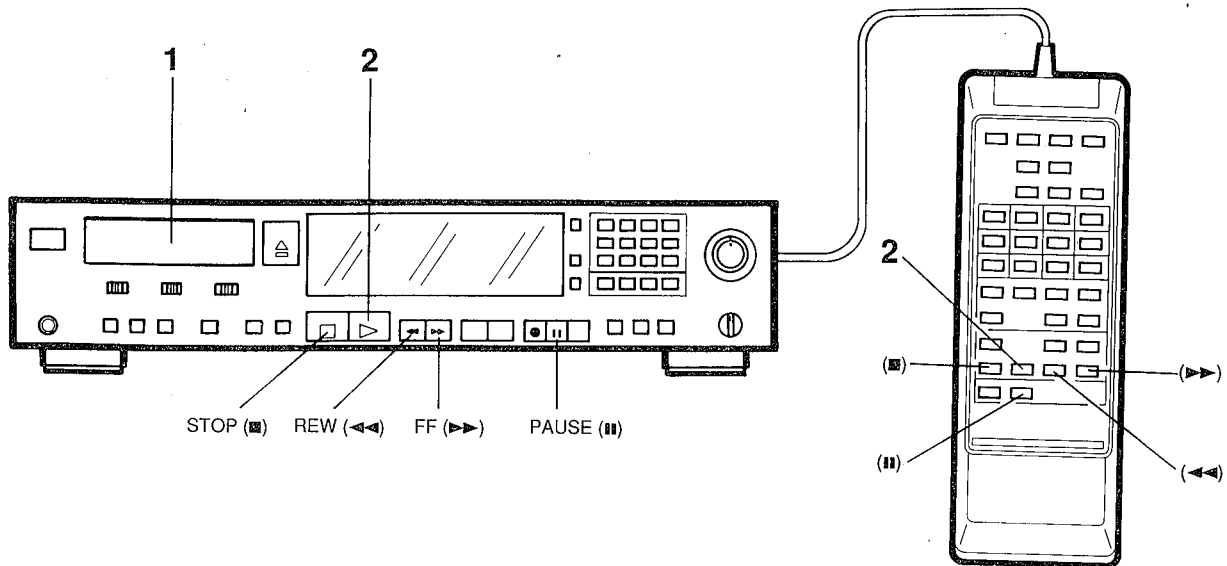
5 Presser la touche PLAY (▶)

Le contenu enregistré auparavant sera effacé.

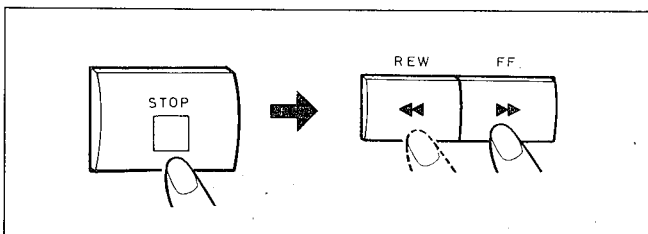
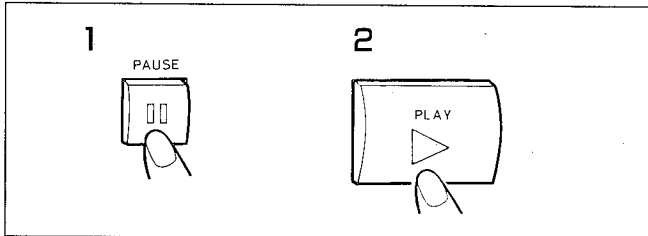
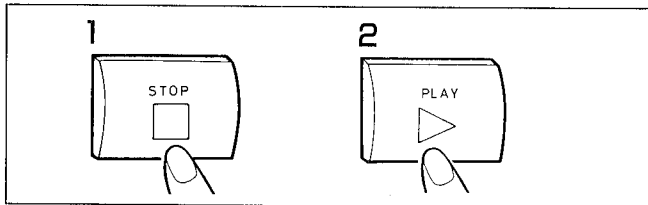


LECTURE

Lecture normale



- 1 Charger la bande dans le porte-cassette.
- 2 Presser la touche PLAY (▶).



Pour arrêter la lecture

- 1 Presser la touche STOP (■).
- 2 Pour recommencer la lecture, presser la touche PLAY (▶).

Pour arrêter momentanément la lecture

- 1 Presser la touche PAUSE (||).
 - 2 Pour recommencer la lecture, presser la touche PLAY (▶) ou à nouveau la touche PAUSE (||).
- Pour protéger la bande, le mode de pause est automatiquement annulé après 5 minutes et l'appareil entre en mode d'arrêt.

Pour avancer rapidement ou rebobiner la bande

- 1 Pour avancer rapidement la bande, presser la touche STOP (■) puis la touche FF (▶▶). Pour rebobiner la bande, presser la touche STOP (■) puis la touche REW (◀◀).
- 2 Presser la touche STOP (■) pour arrêter le défilement de la bande.

Système de recherche automatique de programme (APSS)

L'APSS vous permet de localiser de début de n'importe quel morceau pendant la lecture. Il suffit de presser la touche REW (◀◀) ou FF (▶▶) pour passer en arrière ou en avant.

REMARQUES:

- Pour les bandes avec un intervalle de signaux d'identification de début de moins de 9 secondes, l'APSS peut ne pas fonctionner correctement (page 48).
- Si un morceau n'est pas lu selon le numéro de morceau sélectionné avec l'APSS, le signal d'identification de début et le numéro de morceau n'ont pas été correctement écrits. Voir page 47.

Presser la touche FF (▶▶) pour passer au début du morceau suivant. Presser la touche REW (◀◀) pour retourner au début du morceau actuel.

Chaque pression sur la touche FF (▶▶) passe au début des morceaux suivants. Chaque pression sur la touche REW (◀◀) passe au début des morceaux précédents.

- La bande peut être momentanément arrêtée au début du morceau voulu en pressant la touche PAUSE (⏸) après avoir pressé la touche FF (▶▶) ou REW (◀◀). Le morceau voulu peut ensuite être lu en pressant la touche PLAY (▶).

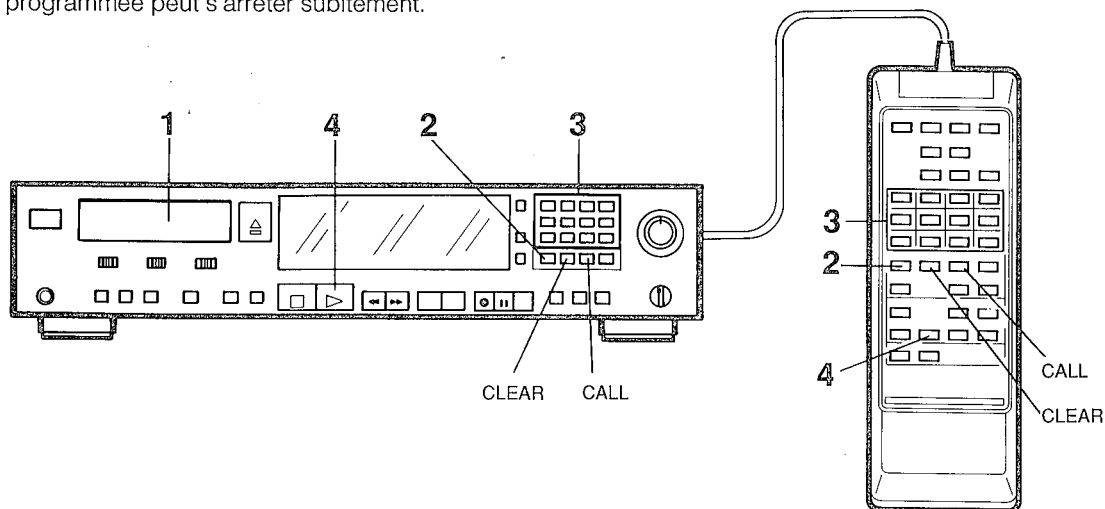
<Exemple>

	<p>Pour passer au morceau 4 alors que le morceau 3 est lu Presser la touche FF (▶▶) une fois pendant la lecture du morceau 3. L'indicateur de numéro de morceau change de 3 à un 4 clignotant et la bande est avancée rapidement jusqu'au début du morceau 4. La lecture commence à partir du morceau 4.</p>
	<p>Pour relire le début du morceau 4 alors que celui-ci est en lecture Presser la touche REW (◀◀) une fois pendant la lecture du morceau 4. L'indicateur de numéro de morceau change pour un 4 clignotant et la bande est rebobinée jusqu'au début du morceau 4. La lecture commence à partir du début du morceau 4.</p>
	<p>Pour passer au morceau 8 alors que le morceau 5 est lu Presser la touche FF (▶▶) trois fois pendant la lecture du morceau 5. L'indicateur de numéro de morceau change de 5 à un 8 clignotant et la bande est avancée rapidement jusqu'au début du morceau 8. La lecture commence à partir du morceau 8.</p>
	<p>Pour passer au morceau 6 alors que le morceau 10 est lu Presser la touche REW (◀◀) cinq fois pendant la lecture du morceau 10. L'indicateur de numéro de morceau change de 10 à un 6 clignotant et la bande est rebobinée jusqu'au début du morceau 6. La lecture commence à partir du début du morceau 6.</p>

Pour programmer les morceaux voulus (sélecteur automatique de musique programmable = APMS)

Vous pouvez programmer les morceaux de votre choix dans n'importe quel ordre.

- Si les morceaux ne sont pas numérotés correctement, les morceaux désirés peuvent ne pas être programmés ou la lecture programmée peut s'arrêter subitement.



- 1 Charger une bande.**
- 2 Presser la touche PROGRAM.**
L'indicateur APMS s'allume.
- 3 Avec les touches numériques (1-0, +10, +20), entrer les numéros de morceau voulus dans l'ordre désiré.**

Exemple:

Pour sélectionner le morceau 12:

Presser "+10" et "2".

Pour sélectionner le morceau 20:

Presser "+20" et "0".

Pour sélectionner le morceau 54:

Presser "+20" deux fois, "+10" et "4".

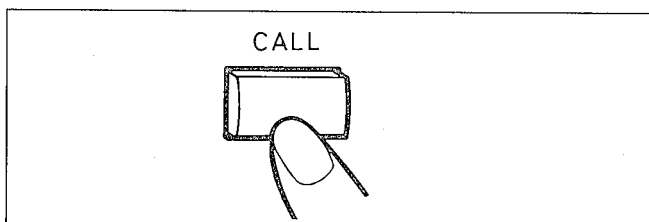
L'affichage indique le numéro de programme (ordre de lecture) et les numéros de morceau programmés.

- 4 Presser la touche PLAY (▶).**

Les morceaux programmés sont lus dans l'ordre programmé.

Pour passer au début d'un morceau du programme:

Presser la touche FF (▶▶) ou REW (◀◀) pour passer au début des morceaux programmés précédents/suivants.

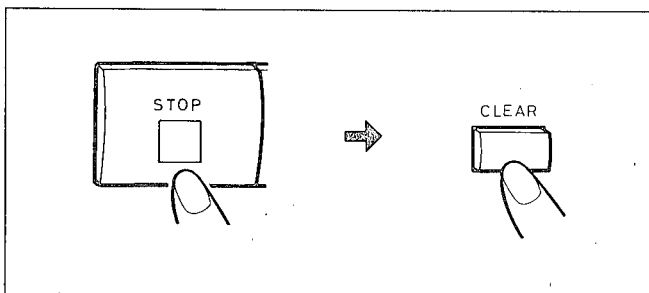


Pour vérifier le contenu programmé

En mode d'arrêt, presser la touche CALL.

Les morceaux programmés sont affichés dans l'ordre programmé.

- Quand la touche CALL est pressée pendant la lecture programmée, le numéro de morceau programmé à lire ensuite est affiché pendant environ une seconde.



Pour effacer un morceau programmé

Presser la touche STOP (■) puis la touche CLEAR.

A chaque pression sur la touche CLEAR, un morceau programmé sera effacé en commençant par le dernier.

Pour annuler tout le programme

Presser la touche PROGRAM en mode d'arrêt.

Une pression sur la touche OPEN/CLOSE ou la mise hors tension de l'appareil annulent aussi le programme entier.

Sélection directe

N'importe quel morceau peut être directement sélectionné et lu en spécifiant le numéro de morceau.

En mode d'arrêt ou de lecture, entrer le numéro de morceau voulu avec les touches numériques (0-1, +10, +20).

Exemple:

Pour sélectionner le morceau 12:

Presser "+10" et "2".

Pour sélectionner le morceau 20:

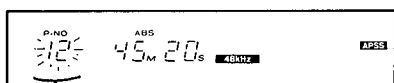
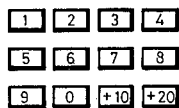
Presser "+20" et "0".

Pour sélectionner le morceau 54:

Presser "+20" deux fois, "+10" et "4".

Le début du morceau spécifié sera recherché et automatiquement lu.

- La fonction de sélection directe peut être utilisée pour repérer le début d'un morceau. Entrer un numéro de morceau et presser la touche PAUSE (II). Le morceau spécifié est recherché et l'appareil entre en mode de pause. Pour commencer la lecture, presser la touche PLAY (▶).
- Si un numéro de morceau qui n'existe pas sur la bande est spécifié, la bande est avancée rapidement jusqu'à la fin.
- La sélection directe ne peut pas être effectuée sur des bandes qui ne contiennent pas de numéros de morceau ou dont les morceaux ne sont pas numérotés correctement.
- La sélection directe ne peut pas être utilisée pour les morceaux programmés en APMS.



Numéro de morceau sélectionné

Recherche de durée absolue

La lecture peut être démarrée à partir de n'importe quel point quand la durée absolue (depuis le début de la bande jusqu'au point où vous voulez commencer la lecture) est spécifiée.

1 Presser la touche ABS TIME en mode d'arrêt ou de lecture.

2 Entrer la durée absolue avec les touches numériques (0-1).

Par exemple, pour la recherche de "une heure 25 minutes 32 secondes", presser "1", "2", "5", "3" et "2".

3 Presser la touche PLAY (▶).

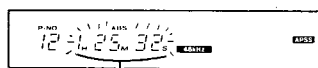
La lecture commence à partir de la durée absolue spécifiée.

- Quand une durée plus longue que la durée d'enregistrement de la bande est spécifiée, la bande s'arrêtera à la fin.
- Pendant la lecture, la durée absolue doit être entrée en moins de 4 secondes après avoir pressé la touche ABS TIME. Autrement, la fonction sera annulée.

1

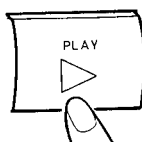


2



Durée ABS spécifiée

3



Repérage et révision

Les touches CUE et REVIEW vous permettent de passer rapidement à un endroit donné de la bande tout en écoutant les morceaux à 3 fois la vitesse de lecture normale.

En mode d'arrêt:

- 1 Presser la touche CUE pour passer en avant ou REVIEW pour passer en arrière.
- 2 Presser la touche PLAY (▶) quand la position voulue est atteinte.

Pendant la lecture:

- 1 Presser et maintenir la touche CUE pressée pour passer en avant ou la touche REVIEW pour passer en arrière.
 - 2 La lecture reprend quand la touche CUE ou REVIEW est relâchée.
- Quand la fin de la bande est atteinte, la bande s'arrête automatiquement.


REMARQUE:

Les touches CUE et REVIEW ne fonctionnent pas pour les morceaux programmés en APMS.

Lecture répétée

La lecture répétée vous permet de répéter continuellement une bande entière ou un programme en APMS. Pour répéter un programme, programmer les morceaux à l'avance (page 52).

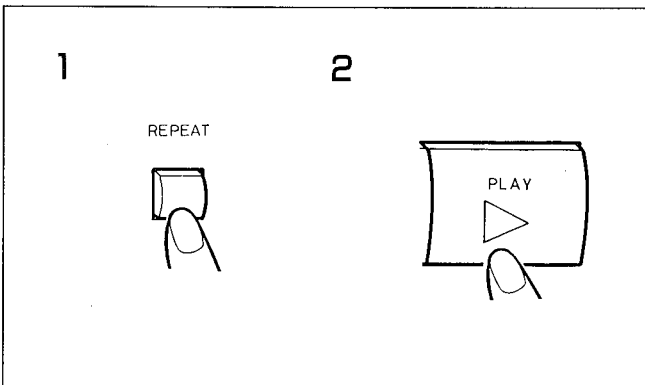
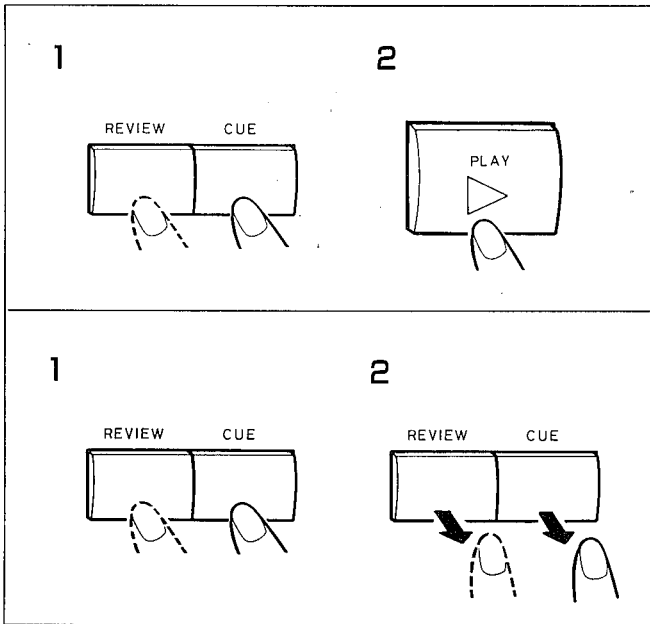
- 1 Presser la touche REPEAT.

L'indicateur  s'allume.

- 2 Presser la touche PLAY (▶).

La bande entière ou le programme seront lus continuellement.

- Pour reprendre la lecture normale, presser à nouveau la touche REPEAT.
- La lecture répétée est automatiquement arrêtée une fois que la lecture a été répétée 24 fois.



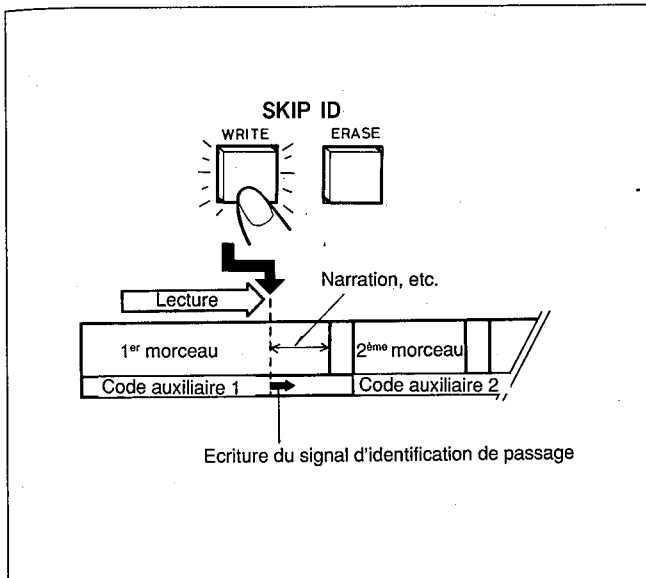
Pour passer des sections inutiles en utilisant le signal d'identification de passage

Quand l'appareil détecte un signal d'identification de passage, la bande avance rapidement jusqu'au début du morceau suivant.

Pour écrire le signal d'identification de passage

Pendant la lecture, presser la touche SKIP ID WRITE au début de la section à passer.

La touche s'allume. La lecture s'arrête momentanément et le signal d'identification de passage est écrit. (Pendant l'écriture, l'indicateur SKIP-ID clignote.)

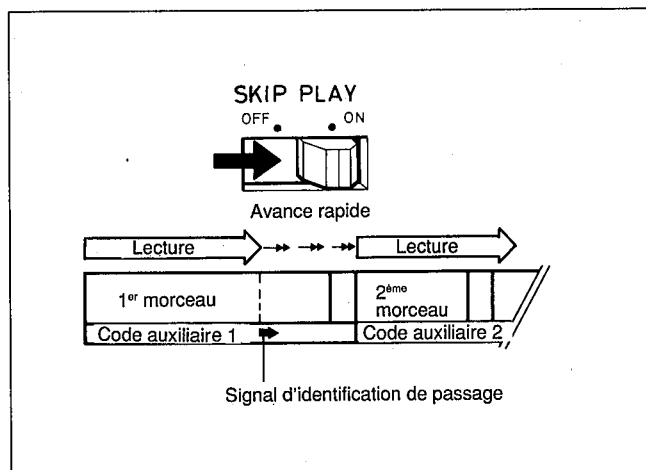


Lecture avec passage

Régler la touche SKIP PLAY sur la position ON.

Quand un signal d'identification de passage est détecté pendant la lecture, la bande avance rapidement jusqu'au début du morceau suivant et la lecture reprend.

- Quand vous voulez lire une bande contenant un signal d'identification de passage sans la fonction de lecture avec passage, régler la touche SKIP PLAY sur la position OFF. La bande sera lue normalement mais le signal d'identification de passage n'est pas effacé.

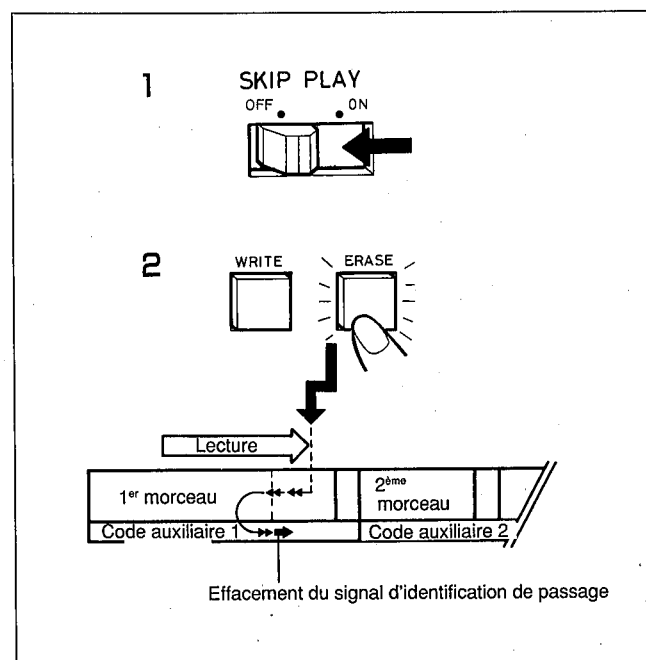


Pour effacer un signal d'identification de passage

1 Régler la touche SKIP PLAY sur la position OFF.

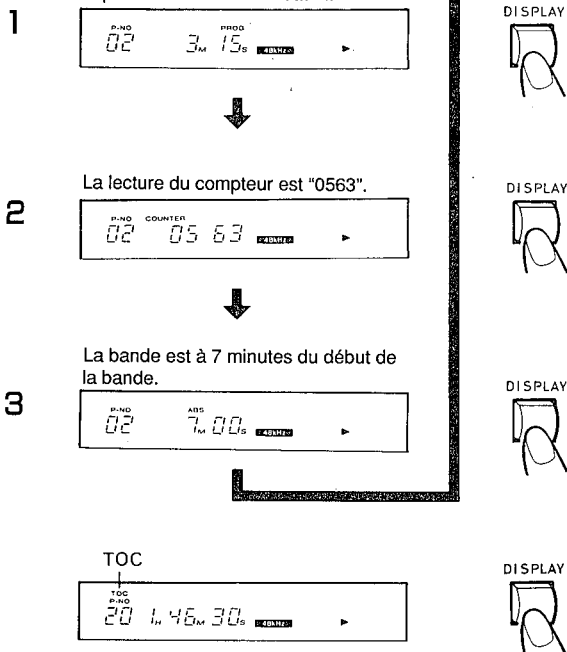
2 Lire le morceau qui contient le signal d'identification de passage à effacer et presser la touche SKIP ID ERASE quand l'indicateur SKIP ID s'allume.

La bande est rebobinée jusqu'à la position où le signal d'identification de passage a été écrit. L'indicateur SKIP ID clignote et le signal d'identification de passage est effacé. La lecture reprend après que le signal d'identification de passage est effacé.



Pour afficher la durée écoulée et le compteur de bande

A chaque pression sur la touche DISPLAY pendant la lecture, l'affichage change sur 1, 2 ou 3 dans cet ordre.



Quand une bande qui contient une TOC commence à être lue du début de la bande, l'indicateur TOC s'allume quelques secondes plus tard et le nombre total des morceaux ainsi que la durée de lecture totale de la bande est affichée après la lecture du compteur en pressant la touche DISPLAY.

1 L'indicateur PROG s'allume et la durée de lecture écoulée depuis le morceau actuel est affichée.

- Quand un morceau qui ne contient pas de signal d'identification de début est lu, "-- M -- S" est affiché.
- La durée absolue est affichée en mode APSS.
- En avance rapide, rebobinage, repérage ou révision, "-- M -- S" est affiché.

2 L'indicateur COUNTER s'allume et la lecture du compteur de bande est affichée.

- Pour remettre le compteur à zéro, presser la touche COUNTER RESET. L'affichage indique "0000". Dans tout autre mode d'affichage, la touche COUNTER RESET ne fonctionne pas.

3 L'indicateur ABS s'allume et la durée écoulée totale (durée absolue) depuis le début de la bande est affichée.

- Pour les bandes sur lesquelles la durée absolue n'est pas enregistrée, "-- M -- S" est affiché.

REMARQUE:

- Quand une section qui ne contient pas un signal d'identification de début et un numéro de morceau est lue, le numéro de morceau n'est pas affiché.

EN CAS DE PROBLEME

Si cet appareil ne fonctionne pas normalement, vérifier d'abord les points suivants. Si l'appareil continue à fonctionner anormalement, ou si un problème autre que ceux de la liste suivante se produit, couper l'alimentation de la platine et débrancher la prise CA; consulter ensuite votre concessionnaire ou personnel de service Yamaha.

PROBLEME	VERIFICATION
L'alimentation n'est pas fournie.	<ul style="list-style-type: none"> ● Le cordon d'alimentation est-il branché?
Le porte-cassette ne se ferme pas après le chargement d'une bande.	<ul style="list-style-type: none"> ● La cassette est-elle bien insérée?
Cet appareil ne fonctionne pas.	<ul style="list-style-type: none"> ● Une bande est-elle chargée? ● Y a-t-il des objets étrangers dans le porte-cassette? ● Y a-t-il de la condensation sur la bande ou la tête?
Pas de son de lecture des deux canaux.	<ul style="list-style-type: none"> ● Cet appareil est-il bien raccordé à un amplificateur?
Pas de son de lecture d'un canal.	<ul style="list-style-type: none"> ● Un câble est-il lâche ou déconnecté?
La durée absolue affichée est incorrecte.	<ul style="list-style-type: none"> ● Les numéros de morceau sont-ils écrits dans l'ordre correct?
Le numéro réel des morceaux enregistrés et les numéros de morceau ne correspondent pas. (Par exemple, il y a 6 morceaux enregistrés mais les numéros de morceau ne sont que 1, 2, 3, 4 et 5.)	<ul style="list-style-type: none"> ● Ceci peut se produire avec certains types de matériau enregistré (provoqué par du bruit entre les morceaux, un court intervalle entre les morceaux, des pertes de niveau, etc.). Voir page 47.
Un morceau sélectionné avec l'APSS ou l'APMS n'est celui désiré.	<ul style="list-style-type: none"> ● Le numéro réel et des morceaux enregistrés et les numéros de morceau correspondent-ils? Voir page 47.
La bande s'arrête pendant le fonctionnement APMS.	<ul style="list-style-type: none"> ● Les numéros de morceau APMS sont-ils valides? ● Les numéros de morceau sont-ils renumérotés?
Le son provenant de l'entrée numérique ne peut pas être enregistré.	<ul style="list-style-type: none"> ● Le sélecteur INPUT est-il réglé sur DIGITAL? ● Le câble coaxial ou le câble de fibres optiques est-il connecté correctement? ● Le sélecteur DIGITAL INPUT du panneau arrière est-il réglé correctement? ● Le câble de fibres optiques est-il coupé ou cassé?
Le niveau d'enregistrement ne peut pas être ajusté pendant l'enregistrement à partir d'une entrée numérique.	<ul style="list-style-type: none"> ● Il n'est pas nécessaire de régler le niveau d'enregistrement pour l'enregistrement à partir d'une entrée numérique.
Des bruits de craquement s'entendent de la platine quand une touche est pressée.	<ul style="list-style-type: none"> ● Ces sons s'entendent quand la fonction de protection de la bande ou de la tête fonctionne. ● Ces sons peuvent aussi s'entendre quand une section vierge sur la bande est atteinte en avance rapide ou rebobinage. (Ces sons sont normaux.)

CARACTERISTIQUES TECHNIQUES

Système DAT Platine à bande audio numérique de type têtes rotatives

Système de chargement Chargement avant horizontal

Enregistrement Système de management de copie en série

Fréquence d'échantillonnage d'enregistrement

Numérique 48 kHz, 44,1 kHz, 32 kHz/2 canaux

Analogique 48 kHz, 44,1 kHz

Système de quantification Conversion 16 bits linéaire

Vitesse de la bande 8,15 mm/s

Durée d'enroulement rapide 45 s maximum avec une bande de 120 minutes)

Réponse en fréquence globale

fs=48 kHz 2 Hz à 22 kHz $\pm 0,5$ dB

fs=44,1 kHz 2 Hz à 22 kHz $\pm 0,5$ dB

DHT + bruit 0,003% à 1 kHz

Gamme dynamique 92dB

Séparation 96 dB à 1 kHz

Entrée numérique

Coaxiale 0,2 Vc-c/75 ohms (IEC 958)

Optique (EIAJ CP-340)

Sortie numérique

Coaxiale 0,5 Vc-c/75 ohms (IEC 958)

Optique (EIAJ CP-340)

Entrée analogique

Équilibrée Niveau de réf. +4 dB/10 kohms (XLR 3-31)

Non équilibrée 0,3 Vrms minimum pour l'échelle complète (prise à broches RCA)

Sortie analogique

Équilibrée Niveau de réf. +4 dB/échelle complète +22 dBm (XLR 3-32)

Non équilibrée 2 Vrms maximum (prise à broches RCA)

Sortie de casque d'écoute 75 mW/32 ohms maximum (prise stéréo standard de 6,3 mm)

Consommation 28 W

Alimentation

Modèle pour les Etats-Unis 120 V, 60 Hz

Modèle pour l'Europe 230 V, 50 Hz

Dimensions (L x H x P) 440 x 88 x 329 mm

Poids 6 kg

Accessoire

Télécommande 1

* Les caractéristiques techniques sont sujettes à des modifications sans préavis.

ZUR BEACHTUNG: LESEN SIE DIESEN ABSCHNITT VOR INBETRIEBNAHME DES

1. Dieses Gerät ist ein fortschrittlicher DAT-Recorder (DAT = Digital Audio Tape). Lesen Sie diese Bedienungsanleitung sorgfältig, um sich mit der Bedienung vertraut zu machen und einen einwandfreien Betrieb zu erzielen.
2. Lassen Sie dieses Gerät vor der ersten Verwendung für ein bis zwei Stunden an einer Netzsteckdose angeschlossen, ohne es in Betrieb zu setzen.
3. Der Aufstellplatz sollte mit Sorgfalt gewählt werden. Direkte Sonnenbestrahlung und Nähe von Wärmequellen sollten vermieden werden. Weiterhin müssen Aufstellplätze vermieden werden, an denen das Gerät Vibrationen, Staub, Hitze, Kälte oder Feuchtigkeit ausgesetzt ist. Zu Transformatoren, Motoren und anderen Geräten, die elektromagnetische Felder aufbauen, muß ein ausreichender Abstand gewahrt werden. Wenn dieses Gerät den Fernseh- oder Radioempfang stört, den Abstand zum Empfangsgerät vergrößern.
4. Niemals das Gehäuse öffnen, weil dadurch das Gerät beschädigt werden kann und außerdem die Gefahr eines elektrischen Schlages besteht. Wenden Sie sich an Ihren Fachhändler, falls ein Gegenstand in das Gerät eingedrungen sein sollte.
5. Zum Ziehen des Netzsteckers immer am Stecker anfassen, niemals am Kabel ziehen.
6. Beim Betätigen der Schalter und Regler darf niemals Gewalt angewendet werden.
7. Wenn das Gerät zu einem anderen Platz gebracht werden soll, müssen zuerst der Netzstecker gezogen und alle Kabelanschlüsse mit anderen Geräten gelöst werden.
8. Zum Reinigen niemals chemische Lösungsmittel verwenden, weil das Gehäuse dadurch Schaden nehmen kann. Ein sauberes, trockenes Tuch verwenden.
9. Wenn das Gerät nicht einwandfrei funktionieren sollte, den POWER-Schalter ausschalten und den Netzstecker ziehen. Nach etwa 30 Sekunden den Netzstecker wieder anschließen und das Gerät erneut in Betrieb nehmen.
10. Im Abschnitt "Bei Störungen" dieser Bedienungsanleitung finden Sie Informationen und Ratschläge zur Behebung von Problemen aufgrund von Bedienungsfehlern.
11. Heben Sie diese Bedienungsanleitung zum späteren Nachschlagen gut auf.

Rack-Montage

Die Front dieses Gerätes entspricht der Größennorm 2U und kann direkt in ein 19-Zoll-Rack installiert werden. Wenn im Rack jedoch nicht ausreichend Platz vorhanden ist, die 4 Füße von der Bodenplatte anfordern und das Gerät dann in das Rack einbauen. Wenn Das Rack nicht ausreichend belüftet ist, kann die Temperatur im Rack stark ansteigen. Daher muß für eine ausreichende Belüftung im Rack gesorgt werden.

Reinigung des Tonkopfes

Schon bei geringfügiger Verschmutzung des Tonkopfes können bei der Wiedergabe Störgeräusche oder Tonausfälle auftreten. Wenn der Tonkopf stark verschmutzt ist, tritt bei der Wiedergabe ein Signallesefehler auf, und der Ton kann nicht mehr reproduziert werden. In diesem Fall erscheint die Anzeige "WARNING". Sollte dies vorkommen, reinigen Sie den Tonkopf mit einer im Fachhandel vertriebenen DAT-Tonkopf-Reinigungscassette oder lassen Sie den Tonkopf vom Yamaha-Fachhändler reinigen. Nach Verwendung über lange Zeit muß der Tonkopf wegen Abnutzung erneut werden. Wenden Sie sich dafür an Ihren Yamaha-Fachhändler.

Verwendungsdauer der Kopftrommel

Es wird empfohlen, die Kopftrommel vor Ablauf von 1500 Betriebsstunden zu erneuern.

Kondensation

An kalten Gegenständen in einer warmen Umgebung schlägt sich Feuchtigkeit nieder. Kondensation kann auch auf der Trommel und dem Tonkopf im Gerät auftreten, wodurch das Band und der Tonkopf beschädigt werden können. Dieses Gerät ist mit einer Heizvorrichtung zur Verhinderung von Kondensation ausgestattet. Sobald das Gerät an eine Netzsteckdose angeschlossen wird, wird die Heizung eingeschaltet, um das Auftreten von Kondensation zu verhindern. Es dauert ein bis zwei Stunden, bis niedergeschlagene Feuchtigkeit verdampft ist. Wenn Kondensation auf Trommel und Tonkopf festgestellt wird, erscheint die Anzeige "DEW", und das Gerät läßt sich nicht in Betrieb setzen. Warten Sie etwa ein bis zwei Stunden, bis die Anzeige erlischt, bevor Sie das Gerät verwenden. Kondensation tritt auf:

In feuchtwarmen Räumen.

Wenn das Gerät aus einer kalten in eine warme Umgebung gebracht wird.

* Das Gerät sollte bei Raumtemperatur zwischen 5°C und 35°C verwendet werden. Kondensation tritt vor allem in der kalten Jahreszeit auf.

Einstellung der Verstärker-Lautstärke

DAT-Cassetten weisen beträchtlich weniger Rauschen als normale Schallplatten und Compact-Cassetten auf und sind zwischen den einzelnen Titel etrem leise. Daher muß darauf geachtet werden, die Lautstärke nicht zu hoch einzustellen, um die Nennwerte des Verstärkers und der Lautsprecher nicht zu überschreiten. Die empfohlene Verstärker-Eingangsbalance beträgt 600 Ohm oder mehr. Durch Anschluß an einen Verstärker (oder an ein anderes Audiogerät) mit einer zu niedrigen Eingangsimpedanz kann die Reproduktionslautstärke verringert werden.

Bescheinigung des Importeurs

Hiermit wird bescheinigt, daß der/die/das

DAT Recorder Typ: DTR2
(Gerät, Typ, Bezeichnung)

in Übereinstimmung mit den Bestimmungen der
VERFÜGUNG 1046/84
(Amtsblattverfügung)

funk-entstört ist.

Der Deutschen Bundespost wurde das Inverkehrbringen dieses Gerätes angezeigt und die Berechtigung zur Überprüfung der Serie auf Einhaltung der Bestimmungen eingeräumt.

Yamaha Europa GmbH
Name des Importeurs

INHALT

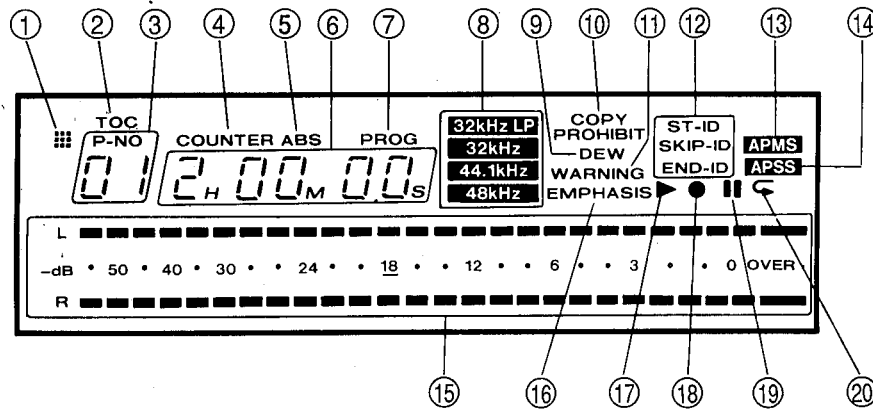
Merkmale	60	Start-ID-Signale und Titelnummern	75
Bezeichnungen der Bedienelemente	61	End-ID-Signale	76
Anschlüsse	66	Wiedergabe	78
DAT (Digital Audio Tape)	69	Bei Störungen	85
Einlegen und Entnehmen von Cassetten	71	Technische Daten	86
Aufnahme	72		

MERKMALE

- Die APMS-Funktion gestattet die Programmierung von bis zu 30 Titeln in beliebiger Reihenfolge.
- Mit der APSS-Funktion können Titel vor/hinter dem laufenden Titel angesprungen werden.
- Mit der Titel-Direktwahlfunktion kann ein Titel einfach durch Eingabe seiner Nummer schnell wiedergegeben werden.
- Die ABS-Funktion ermöglicht es, jede Bandposition mittels der Spielzeit vom Bandanfang anzuspringen.
- Mit der Wiederholfunktion können alle Titel auf der Cassette oder alle programmierten Titel wiederholt wiedergegeben werden.
- Die Auslaß-Wiedergabefunktion überspringt nicht erwünschte Bandabschnitte.
- Die Titelnummer-Aufzeichnungsfunktion nimmt während der Aufnahme automatisch die Titelnummern auf dem Band auf.
- Mit der praktischen Neunumerierfunktion können die Titel nach dem Editieren neu durchnumeriert werden.
- Dank der Endposition-Suchfunktion ist es einfache, die Aufnahme nach dem Ende einer früheren Aufnahme fortzusetzen.
- Mit der Cue-/Review-Funktion können Sie beim Schnellvorlauf/Schnellrücklauf den Ton hören.
- Die Suchlaufgeschwindigkeit erreicht das 200fache der normalen Wiedergabegeschwindigkeit.
- Die verfügbaren Abtastfrequenzen von 48 kHz, 44,1 kHz und 32 kHz ermöglichen Aufnahme/Wiedergabe einer Vielzahl von Digitalquellen.
- Das Gerät ist mit symmetrischen Analog-Eingangs-/Ausgangsbuchsen ausgestattet (XLR-3-31/XLR-3-32).
- Das Gerät verfügt über zwei Arten von Digitalbuchsen (Koaxial-Cinchbuchsen, Lichtwellenleiter-Buchsen).
- Im A/D-Wandler-Schaltkreis kommt ein theoretisch verzerrungsfreier 1-Bit-A/D-Wandler zum Einsatz, wodurch eine erstklassige Klangqualität gewährleistet wird.
- Die Kombination von Digitalfilter und 1-Bit-PDM-D/A-Wandler resultiert in einer hervorragenden Klangqualität.
- Zwei Direktantriebsmotoren sorgen für einen stabilen Bandtransport.
- Die Bedienung ist mit einer Kabel-Fernbedienung möglich.

- ⑮ **Aufnahmepegel-Regler (REC LEVEL)**
Dieser Regler dient zum Einstellen des Aufnahmepegels bei Aufnahme einer Audioquelle, die an den ANALOG INPUT-Buchsen angeschlossen ist. Mit diesem Regler kann der Aufnahmepegel für den linken und rechten Kanal unabhängig eingestellt werden.
- ⑯ **Kopfhörerbuchse (PHONES)**
Diese Buchse dient zum Anschließen eines Stereo-Kopfhörers.
- ⑰ **Start-ID-Tasten (START ID)**
AUTO WRITE: Diese Taste drücken, um während der Aufnahme automatisch Start-ID-Signale und die zugehörigen Titelnummern aufzuzeichnen.
WRITE: Diese Taste dient zur manuellen Aufzeichnung von Start-ID-Signalen während Aufnahme oder Wiedergabe.
ERASE: Diese Taste drücken, um ein Start-ID-Signal zu löschen.
- ⑱ **Neunummerier-Taste (RENUMBER)**
Dient zum Neunummerieren der Titel vom Anfang des Bandes an.
- ⑲ **Skip-ID-Tasten (SKIP ID)**
WRITE: Durch Drücken dieser Taste wird das Skip-ID-Signal auf Band aufgezeichnet. Wenn der SKIP PLAY-Schalter auf ON eingestellt ist, wird bei der Wiedergabe der Abschnitt von der Position, an der diese Taste gedrückt wurde, bis zum Anfang des nächsten Titels übersprungen.
ERASE: Diese Taste drücken, um ein Skip-ID-Signal zu löschen.
- ⑳ **Stopptaste (STOP ■)**
Diese Taste drücken, um den Bandlauf zu stoppen.
- ㉑ **Wiedergabetaste (PLAY ►)**
Zum Starten der Wiedergabe drücken. Wenn die REC-Taste gedrückt ist, wird die Aufnahme durch Drücken dieser Taste oder der PAUSE-Taste gestartet.
- ㉒ **Rückspultaste (REW ◀◀)**
Zum Rückspulen des Bandes drücken. Wenn diese Taste während der Wiedergabe gedrückt wird, springt die Wiedergabeposition zum Anfang des laufenden Titels. Zum Anspringen eines vorherigen Titels diese Taste erneut drücken (APSS).
- ㉓ **Schnellvorlauftaste (FF ▶▶)**
Zum Schnellvorspulen des Bandes drücken. Wenn diese Taste während der Wiedergabe gedrückt wird, springt die Wiedergabeposition zum Anfang des nächsten Titels (APSS).
- ㉔ **Rücklauftaste (REVIEW)**
Durch Drücken dieser Taste wird das Band mit etwa der 3fachen Normalgeschwindigkeit zurückgespult, wobei der Ton gehört werden kann.
- ㉕ **Vorlauftaste (CUE)**
Durch Drücken dieser Taste wird das Band mit etwa der 3fachen Normalgeschwindigkeit vorgespult, wobei der Ton gehört werden kann.
- ㉖ **Aufnahmetaste (REC ●)**
Durch Drücken dieser Taste wird auf Aufnahmebereitschaft geschaltet. Dann kann die Aufnahme durch Drücken der PLAY- oder PAUSE-Taste gestartet werden.
- ㉗ **Pausetaste (PAUSE II)**
Diese Taste dient zum kurzzeitigen Unterbrechen der Wiedergabe oder Aufnahme. Zum Fortsetzen der Wiedergabe bzw. Aufnahme die PLAY-Taste oder diese Taste erneut drücken.
- ㉘ **Stummaufnahmetaste (REC MUTE)**
Durch Drücken dieser Taste wird während der Aufnahme ein stummer Bandabschnitt für die Dauer, die die Taste gedrückt gehalten wird, erstellt.
- ㉙ **End-ID-Tasten (END ID)**
WRITE: Diese Taste am Ende der Aufnahme drücken, um diese Bandposition durch das End-ID-Signal zu markieren.
ERASE: Die Taste drücken, um das End-ID-Signal zu löschen.
SEARCH: Diese Taste drücken, um das End-ID-Signal zu suchen. Das Band wird schnell zur Aufnahme-Endposition gespult, so daß die Aufnahme von dort fortgesetzt werden kann.
- ㉚ **Kopfhörer-Lautstärkereglern (PHONES LEVEL)**
Dient zum Einstellen der Kopfhörerlautstärke.

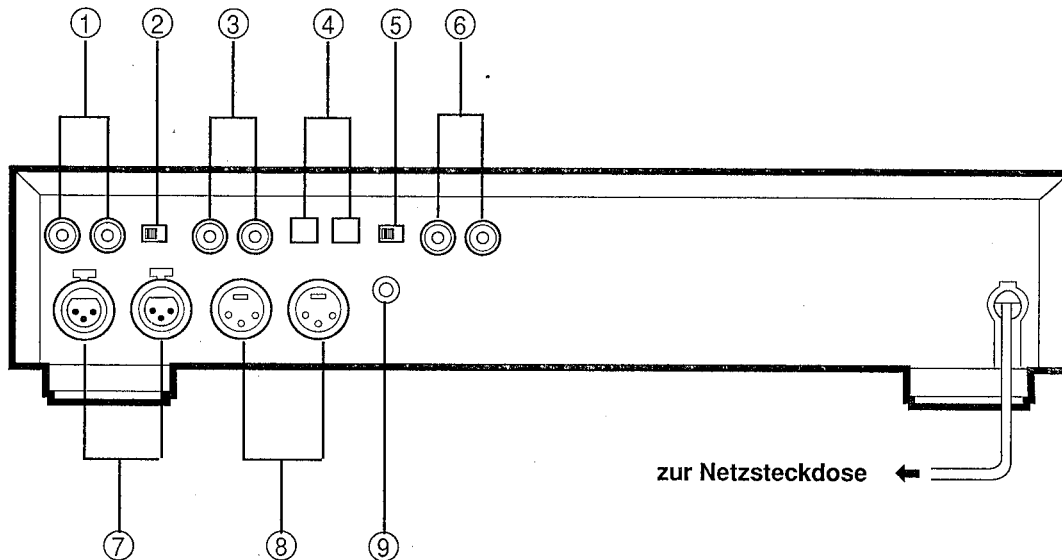
Display



- ① **Fernbedienungsanzeige**
Diese Anzeige leuchtet, wenn der Fernbedienungsgeber eingesetzt wird.
- ② **Inhaltsverzeichnis-Anzeige (TOC)**
Diese Anzeige leuchtet, wenn eine Cassette wiedergegeben wird, die ein TOC enthält.
- ③ **Titelnummer-Anzeige**
Hier wird die Titelnummer angezeigt.
- ④ **Zählwerk-Anzeige (COUNTER)**
Leuchtet, wenn das Display im Zählwerksmodus ist.
- ⑤ **Absolutzeit-Anzeige (ABS)**
Leuchtet, wenn die ABS-Zeit (bisherige Spielzeit vom Bandanfang) angezeigt wird.
- ⑥ **Zählwerk-/ABS-Zeit-/Titel-Spielzeit-/Programm-Titelnummer-Anzeige**
Hier wird die Zählwerkposition, die ABS-Zeit, die Titel-Spielzeit (bisherige Spielzeit vom Anfang des laufenden Titels) oder die Nummer des programmierten Titels angezeigt.
- ⑦ **Programm-Anzeige (PROG)**
Leuchtet, wenn die bisherige Spielzeit vom Anfang des laufenden Titels auf dem Display angezeigt wird.
- ⑧ **Abtastfrequenz-Anzeigen**
Leuchten entsprechend der Abtastfrequenz des Audiosignals.
- ⑨ **Kondensation-Anzeige (DEW)**
Erscheint, wenn Kondensation im Gerät (auf Kopftrommel, Tonkopf usw.) aufgetreten ist.
- ⑩ **Kopiersperre-Anzeige (COPY PROHIBIT)**
Erscheint, wenn Aufnahme des zugeführten Digitalsignals nicht möglich ist. In diesem Fall die Aufnahmequelle an die ANALOG-Buchsen anschließen.
- ⑪ **Warnanzeige (WARNING)**
Wenn der Tonkopf stark verschmutzt ist, tritt während der Wiedergabe ein Signallesefehler auf, und der Ton kann nicht reproduziert werden. Dann erscheint die Anzeige "WARNING". Sollte dies vorkommen, den Tonkopf mit einer im Fachhandel erhältlichen DAT-Reinigungscassette reinigen oder vom Yamaha-Fachhändler reinigen lassen.
- ⑫ **Start-ID-/Skip-ID-/End-ID-Anzeigen (ST-ID/SKIP-ID/END-ID)**
Die entsprechende Anzeige leuchtet, wenn das Start-ID-, Skip-ID- oder End-ID-Signal festgestellt wird, und blinkt, wenn das Signal aufgezeichnet oder gelöscht wird.
- ⑬ **Programm-Wiedergabe-Anzeige (APMS = Automatic Programmable Music Selector)**
Erscheint bei der Programmierung und während der Programm-Wiedergabe.
- ⑭ **Titelsuchlauf-Anzeige (APSS = Auto Program Search System)**
Erscheint während der Suche nach einem Titelanfang.
- ⑮ **Spitzenpegelanzeige**
Hier wird der Aufnahme- oder Wiedergabepegel angezeigt.
- ⑯ **Emphasis-Anzeige (EMPHASIS)**
Erscheint während der Wiedergabe von Cassetten, die mit Emphasis aufgenommen wurden, sowie während der Aufnahme von einer Digitalquelle, die Emphasis aufweist. Die Emphasis-Funktion reduziert den Hochfrequenz-Störpegel durch Anhebung des Hochfrequenzpegels während der Aufnahme (Preemphasis-Funktion) und Absenkung während der Wiedergabe (Deemphasis-Funktion). Dieses Gerät enthält nur den Deemphasis-Schaltkreis. Signale, die Emphasis aufweisen, können wiedergegeben und aufgenommen werden, aber es ist nicht möglich, den Signalen Emphasis zuzufügen.
- ⑰ **Wiedergabe-Anzeige (▶)**
Diese Anzeige leuchtet, wenn die PLAY-Taste gedrückt ist.
- ⑱ **Aufnahme-Anzeige (●)**
Diese Anzeige leuchtet, wenn die REC-Taste gedrückt ist.
- ⑲ **Pause-Anzeige (||)**
Diese Anzeige leuchtet, wenn die PAUSE-Taste gedrückt ist, sowie während der Aufnahmebereitschaft.
- ⑳ **Wiederholungs-Anzeige (◀)**
Diese Anzeige leuchtet während der wiederholten Wiedergabe.

BEZEICHNUNGEN DER BEDIENELEMENTE

Geräterückseite



① **Analogeingangsbuchsen (ANALOG INPUT)
(unsymmetrische Cinch-Buchsen)**
Wenn diese Buchsen für Aufnahme verwendet werden,
den Aufnahmepegel mit dem REC LEVEL-Regler
einstellen.

② **Analogeingangswähler (ANALOG INPUT)**
Dient zur Wahl der Analogeingangsbuchsen zwischen
symmetrisch (XLR) und unsymmetrisch.

③ **Analogausgangsbuchsen (ANALOG OUTPUT)
(unsymmetrische Cinch-Buchsen)**
Der maximale Ausgangspegel beträgt 2 V.

④ **Lichtwellenleiter-Digital-Eingangs-/
Ausgangsbuchsen (OPTICAL DIGITAL INPUT/
OUTPUT)**
Die Lichtwellenleiter-Digital-Eingangs-/
Ausgangsbuchsen entsprechen den EIAJ CP 340-
Vorschriften.

⑤ **Digitaleingangswähler (DIGITAL INPUT)**
Dient zur Wahl der Digitaleingangsbuchsen zwischen
OPTICAL und COAXIAL.

⑥ **Koaxial-Digital-Eingangs-/Ausgangsbuchsen
(COAXIAL DIGITAL INPUT/OUTPUT)**
Die Koaxial-Digital-Eingangs-/Ausgangsbuchsen
entsprechen den IEC 958-Vorschriften.

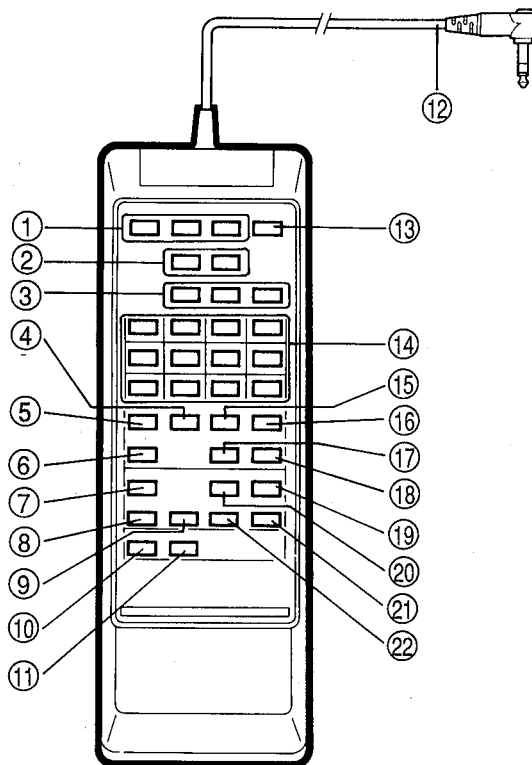
⑦ **Analogeingangsbuchsen (ANALOG INPUT)
(symmetrische XLR-Buchsen)**
Der zweite Stift ist HOT.

⑧ **Analogausgangsbuchsen (ANALOG OUTPUT)
(symmetrische XLR-Buchsen)**
Der Referenzpegel beträgt +4 dBm.

**Stiftbelegung der symmetrischen Buchsen (XLR-3-
31/XLR-3-32)**

⑨ **Fernbedienungsbuchse (REMOTE)**
Hier wird der Stecker des mitgelieferten
Fernbedienungsgebers angeschlossen.
Hier darf niemals ein anderer als der mitgelieferte
Fernbedienungsgeber angeschlossen werden.

Kabel-Fernbedienungsgeber



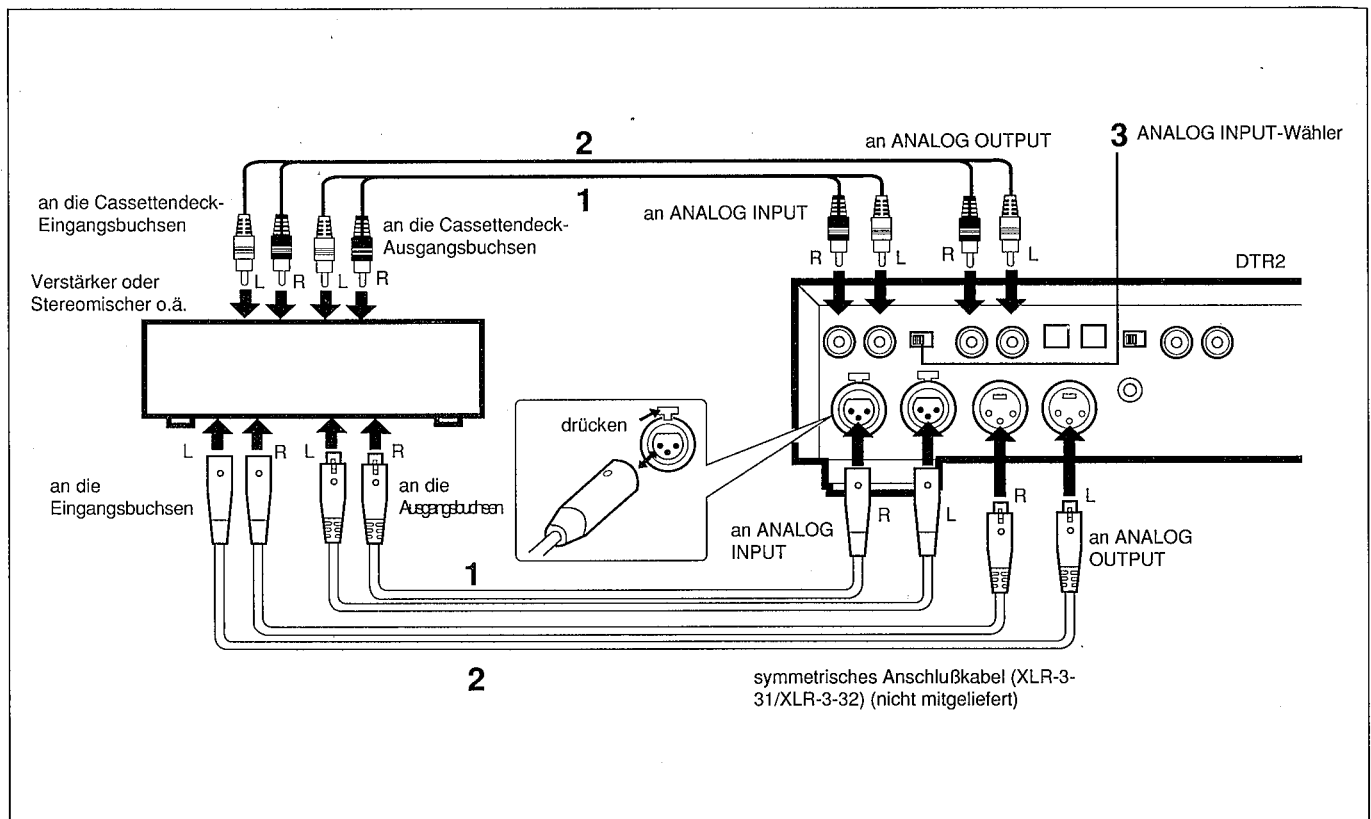
- | | |
|---|----------------------------|
| ① Start-ID-Tasten | ⑬ Neunumeriertaste |
| ② Skip-ID-Tasten | ⑭ Zahlentasten |
| ③ End-ID-Tasten | ⑮ Abruftaste |
| ④ Löschtaste | ⑯ Absolutzeittaste |
| ⑤ Programmtaste | ⑰ Anzeigetaste |
| ⑥ Wiederholtaste | ⑱ Zählwerkrückstellaste |
| ⑦ Öffnen/Schließen-Taste (▲) | ⑲ Cue-Taste |
| ⑧ Stopptaste (■) | ⑳ Review-Taste |
| ⑨ Wiedergabetaste (▶) | ㉑ Schnellvorspultaste (▶▶) |
| ⑩ Aufnahmetaste (●) | ㉒ Rückspultaste (◀◀) |
| ⑪ Pausetaste (⏸) | |
| ⑫ Fernbedienungskabel
An die REMOTE-Buchse an der Geräterückseite anschließen. | |

HINWEISE:

- Alle Tasten haben die gleichen Funktionen wie die entsprechenden Tasten an der Gerätevorderseite.
- Für den Fernbedienungsgeber sind keine Batterien erforderlich. Die Spannungsversorgung erfolgt über die REMOTE-Buchse an der Geräterückseite.

ANSCHLÜSSE

Anschluß von Analog-Audiogeräten

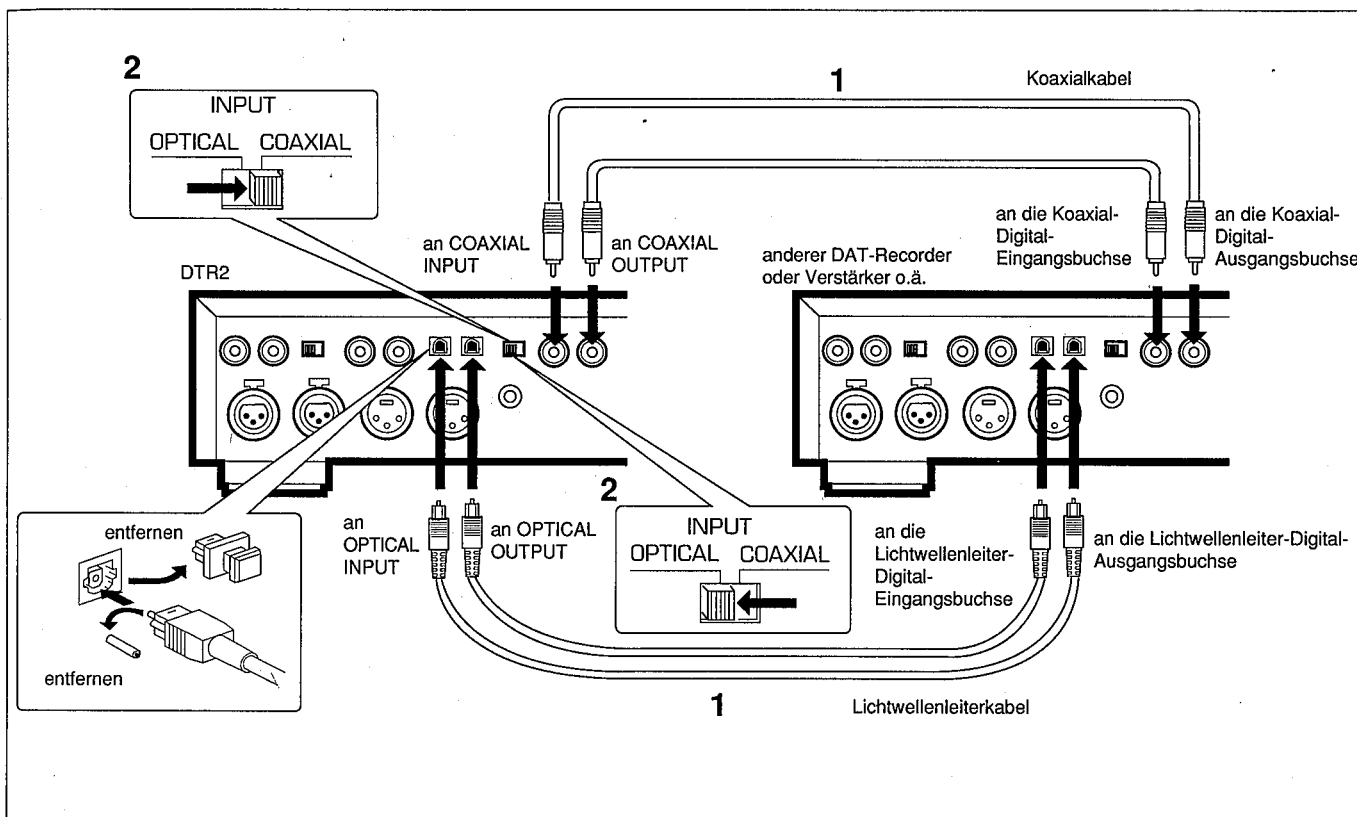


- Vor dem Herstellen der Anschlüsse die Netzstecker beider Geräte ziehen.
 - Darauf achten, die Kanäle beim Anschließen nicht zu vertauschen; rechts mit rechts und links mit links verbinden.
- 1** Die ANALOG INPUT-Buchsen (XLR- oder Cinch-Buchsen) dieses Gerätes mit den Analog-Ausgangsbuchsen des Verstärkers, Stereomischers usw. verbinden.
 - 2** Die ANALOG OUTPUT-Buchsen (XLR- oder Cinch-Buchsen) dieses Gerätes mit den Analog-Eingangsbuchsen des Verstärkers, Stereomischers usw. verbinden.
 - 3** Den ANALOG INPUT-Wähler einstellen. Bei Verwendung der XLR-Buchsen auf XLR und bei Verwendung der Cinch-Buchsen auf PIN stellen.

HINWEIS:

Auf guten Kontakt aller Anschlüsse achten. Unzureichende Anschlüsse können Tonausfälle und Störgeräusche verursachen.

Anschluß an einen anderen DAT-Recorder oder an einen Verstärker o.ä. mit Digitalbuchsen



- Wenn dieses Gerät an einen anderen DAT-Recorder oder an einen Verstärker oder eine andere Digitalquelle wie zum Beispiel einen CD-Spieler mit Digitalbuchsen angeschlossen ist, wird Digital-zu-Digital-Aufnahme durchgeführt.
- Vor dem Herstellen der Anschlüsse die Netzstecker beider Geräte ziehen.

HINWEISE:

- Wenn der POWER-Schalter eingeschaltet ist, leuchtet das Innere der OPTICAL OUTPUT-Buchse rot. Dieses rote Licht (das absolut harmlos ist) dient zur Übertragung des Digitalsignals.
- Lichtwellenleiterkabel dürfen nicht stark gebogen oder geknickt werden, weil sie sonst unbrauchbar werden.

Verwendung der COAXIAL DIGITAL-Buchsen

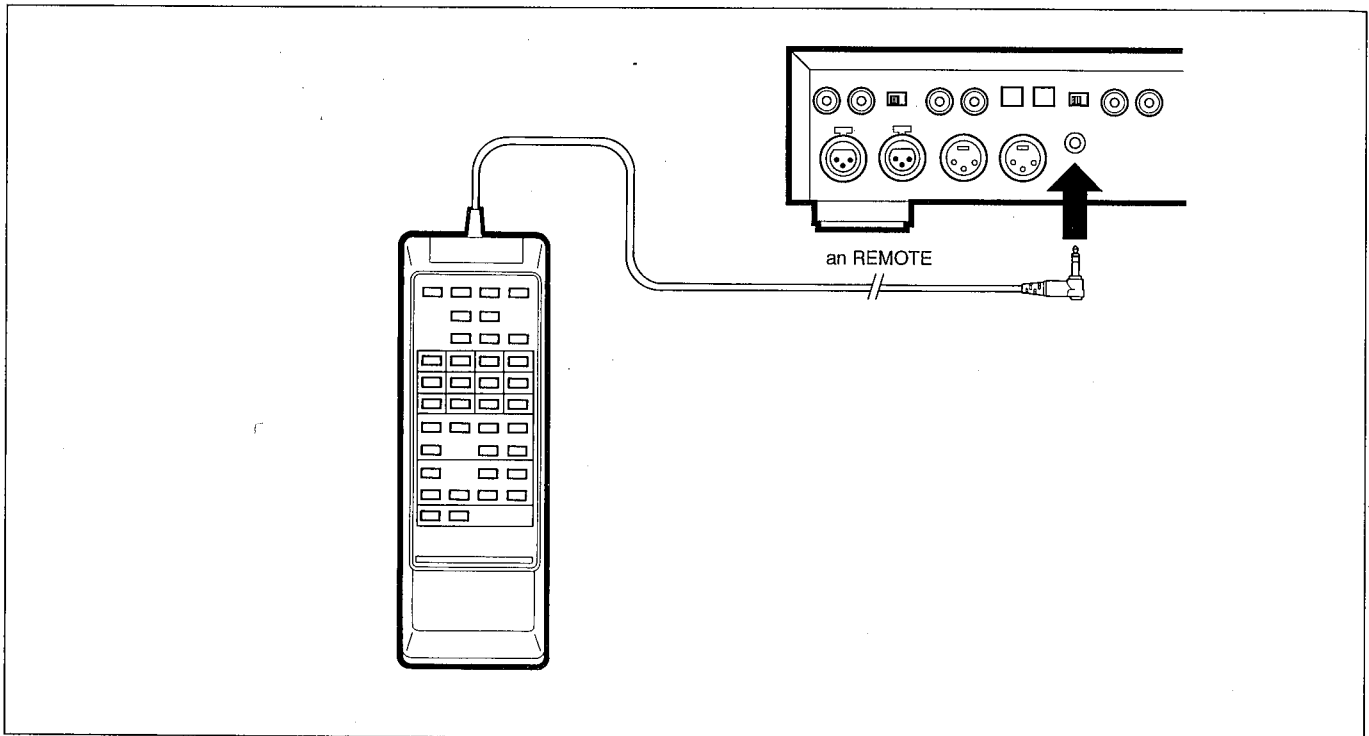
- 1 Die COAXIAL DIGITAL INPUT-Buchse mit der Koaxial-Digital-Ausgangsbuchse und die COAXIAL DIGITAL OUTPUT-Buchse mit der Koaxial-Digital-Eingangsbuchse des anderen DAT-Recorders, Verstärkers o.ä. mit Koaxialkabel verbinden.
- 2 Den DIGITAL INPUT-Wähler auf COAXIAL stellen.

Verwendung der OPTICAL DIGITAL-Buchsen

- 1 Die OPTICAL DIGITAL INPUT-Buchse mit der Lichtwellenleiter-Digital-Ausgangsbuchse und die OPTICAL DIGITAL OUTPUT-Buchse mit der Lichtwellenleiter-Digital-Eingangsbuchse des anderen DAT-Recorders, Verstärkers o.ä. mit Lichtwellenleiterkabel verbinden.
- 2 Den DIGITAL INPUT-Wähler auf OPTICAL stellen.

Anschluß des Fernbedienungsgebers

Wenn das Fernbedienungskabel an die REMOTE-Buchse an der Geräterückseite angeschlossen wird, ist Bedienung dieses Gerätes mit dem Fernbedienungsgeber möglich.

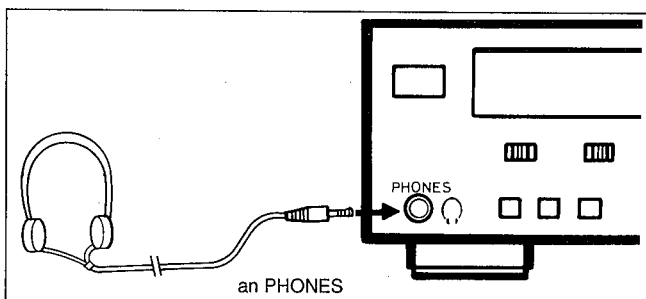


HINWEISE:

- Den Fernbedienungsgeber nicht stoßen oder fallenlassen. Den Fernbedienungsgeber außerdem vor Nässe schützen.

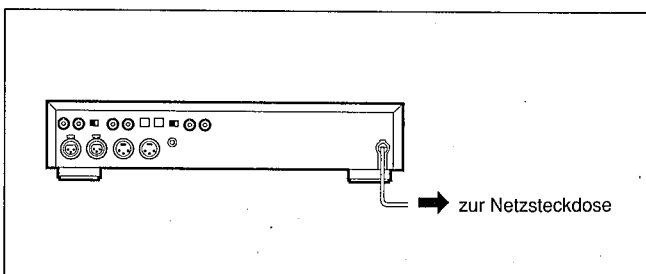
- Dieser Fernbedienungsgeber darf nicht an andere Geräte angeschlossen werden.
- Nur den mitgelieferten Fernbedienungsgeber an die REMOTE-Buchse anschließen.

Anschluß eines Kopfhörers



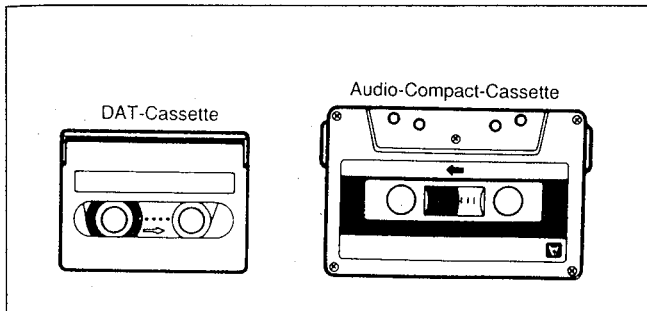
Ein Kopfhörer mit 8 bis 32 Ohm mit einem Stereo-Klinkenstecker (6,3 mm) verwenden. Die Kopfhörer-Lautstärke kann mit dem PHONES LEVEL-Regler eingestellt werden.

Anschluß des Netzkabels



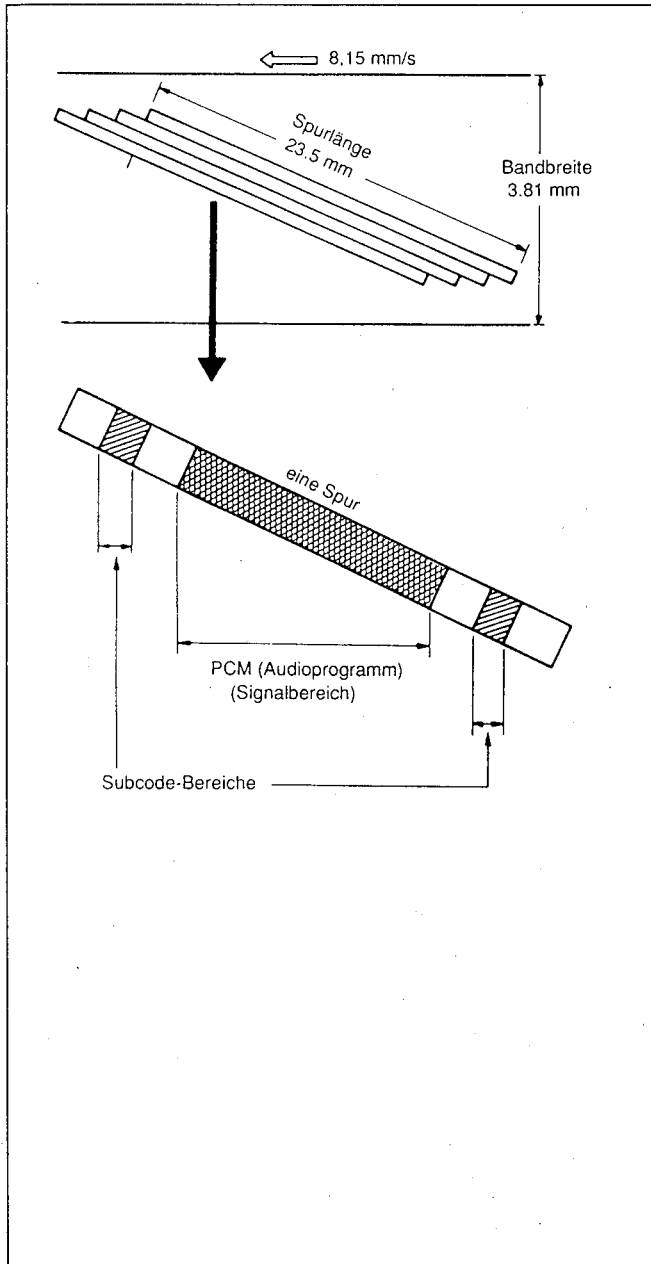
Nach Herstellung aller anderen Anschlüsse das Netzkabel an eine Netzsteckdose anschließen.

DAT (Digital Audio Tape)



DAT-Cassetten

Eine DAT-Cassette ist mit 73 x 10,5 x 54 mm nur etwa halb so groß wie eine Audio-Compact-Cassette. Das Gehäuse ist so konstruiert, daß das Band vor Kratzern und Schmutz geschützt ist.



DAT-Aufnahmemethode

Im PCM-Bereich (Audiosignal) wird das Digitalsignal aufgenommen, in das das Audiosignal umgewandelt wurde (PCM = Pulse Code Modulation). In den Subcode-Bereichen werden Informationen wie Titelnnummer, Laufzeit der einzelnen Titel und Gesamtzeit aufgezeichnet. Mittels der Informationen in den Subcode-Bereichen ist präzise Titelsuche möglich, weil die Signale in den Subcode-Bereichen gelesen werden, während das Band läuft.

Abtastfrequenzen

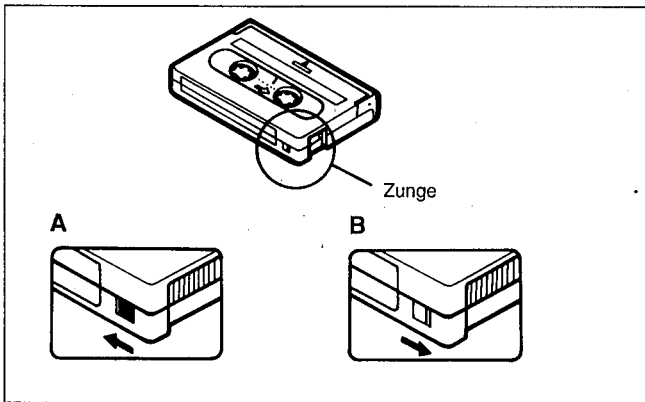
Bei der Umwandlung von Analog-Audiosignalen in Digitalsignale kommen 3 Abtastfrequenzen zum Einsatz: 48 kHz, 44,1 kHz und 32 kHz.

48 kHz: Für DAT-Musicassetten, die im Fachhandel vertrieben werden, und für normal aufgenommene DAT-Cassetten.

44,1 kHz: Für DAT-Musicassetten und CDs, die im Fachhandel vertrieben werden.

32 kHz: Für Satellitenempfang.

Dieser DAT-Recorder kann keine 32-kHz-Analogsignale aufnehmen.



Verhinderung von versehentlichem Löschen

- Zur Verhinderung von versehentlichem Löschen die Zunge nach links schieben, um die Öffnung zu öffnen. Dann ist Aufnahme durch Drücken der REC-Taste nicht möglich. Siehe Abb. A.
- Für erneute Aufnahme auf der Cassette die Zunge nach links schieben, um die Öffnung zu schließen. Siehe Abb. B.

Umgang mit DAT-Cassetten

- DAT-Cassetten sind präzise hergestellt, um Aufnahme und Wiedergabe mit hoher Zuverlässigkeit zu ermöglichen. Niemals die Cassettenklappe öffnen und das Band berühren, weil es dadurch beschädigt werden kann.
- Keine zerkratzten, schmutzigen oder zerknitterten Bänder verwenden, weil dadurch Tonausfälle und eine Beschädigung des Tonkopfes verursacht werden können.

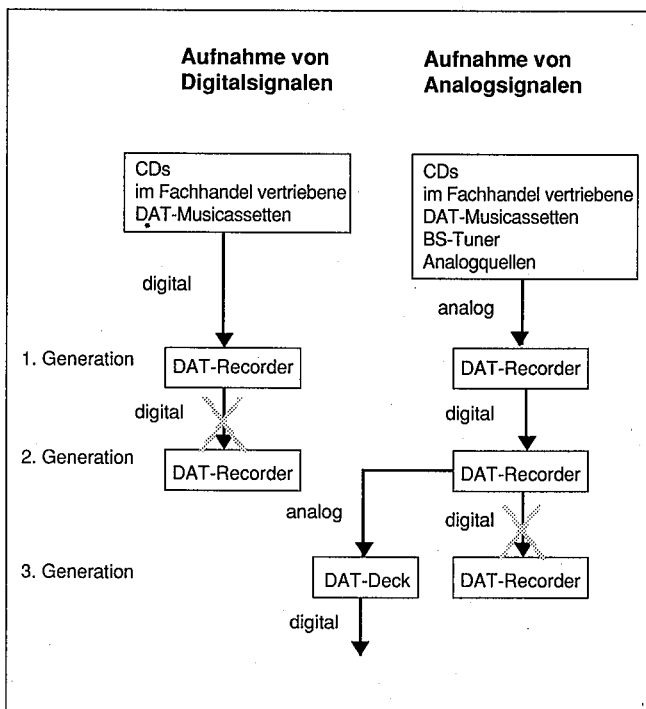
Aufbewahrung von DAT-Cassetten

- Nicht verwendete Cassetten immer in ihren Behältern aufbewahren.
- Die Cassetten nicht unter direkter Sonnenbestrahlung, in der Nähe von Wärmequellen und an feuchten Plätzen aufbewahren.
- Die Cassetten nicht an staubigen Plätzen aufbewahren.
- Die Cassetten nicht in der Nähe starker Magnetfelder (d.h. in der Nähe von elektrischen Uhren, Spielzeugen mit Magneten usw.) aufbewahren, weil die Aufnahmen durch Magnetfelder zerstört werden.
- Die Cassetten nicht fallenlassen und keine starken Stößen aussetzen.
- Das Band nach der Verwendung zurückspulen. Wenn das Band lose ist, es erneut umspulen.

Serial Copy Management System (SCMS)

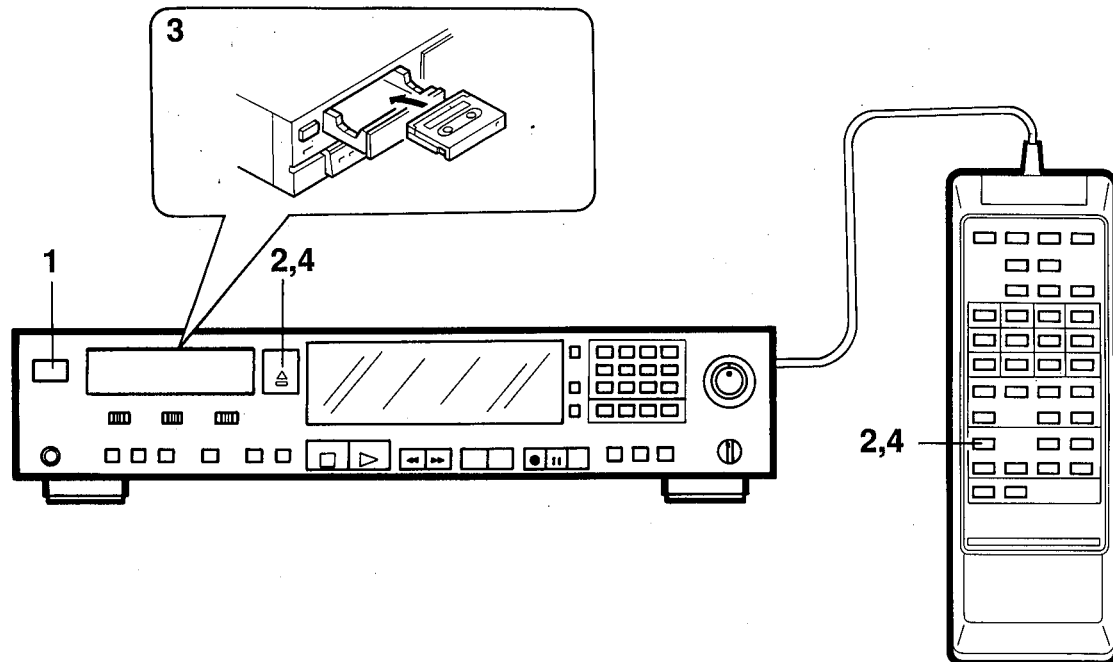
Die meisten Digitalquellen enthalten einen Kopiersperre-Code. Für dieses Gerät wird das Serial Copy Management System eingesetzt, das Digital-zu-Digital-Aufnahme für mindestens eine Generation verhindert.

Auch wenn eine Cassette von einer Analogquelle aufgenommen wurde, sieht dieses System die Quelle als Digitalquelle mit Kopiersperre-Code an, da die Aufnahme durch den A/D-Wandler erfolgte, und gestattet Digital-zu-Digital-Aufnahme nur für eine Generation.



EINLEGEN UND ENTNEHMEN VON CASSETTEN

Einlegen einer Cassette



- 1 Den POWER-Schalter einschalten (ON).
- 2 Die OPEN/CLOSE-Taste (▲) drücken, um die Cassettenlade zu öffnen.
"OPEN" blinkt im Display.

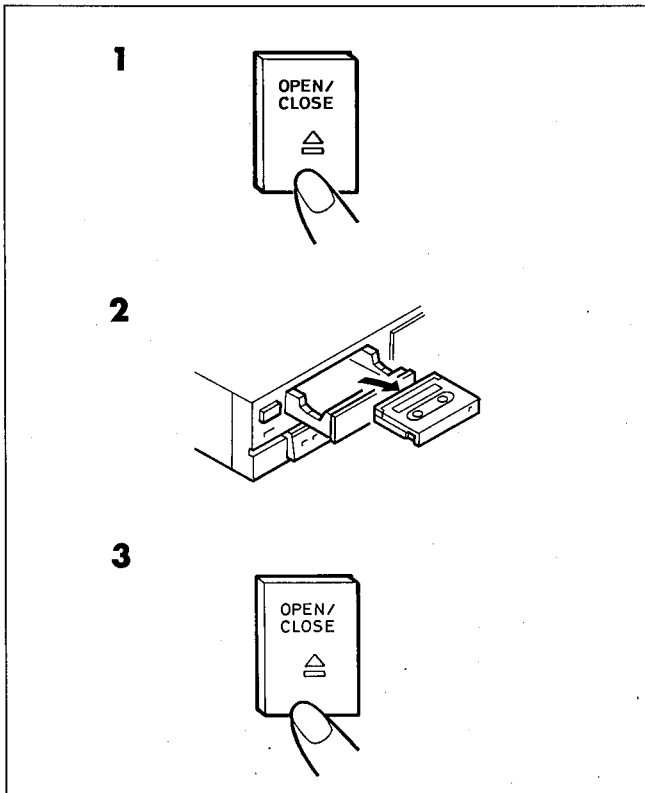
- 3 Eine DAT-Cassette in die Cassettenlade legen.
Das Sichtfenster der Cassette muß nach vorne und die Schiebebeuge nach rechts weisen.
- 4 Die OPEN/CLOSE-Taste (▲) erneut drücken, um die Cassettenlade zu schließen.

Entnehmen der Cassette

- 1 Die OPEN/CLOSE-Taste (▲) drücken, um die Cassettenlade zu öffnen.
- 2 Die Cassette aus der Cassettenlade entnehmen.
- 3 Die OPEN/CLOSE-Taste (▲) erneut drücken, um die Cassettenlade zu schließen.

HINWEISE:

- Die Cassettenlade schließt sich nicht vollständig, wenn die Cassette nicht richtig eingelegt wurde. In diesem Fall die OPEN/CLOSE-Taste (▲) drücken, um die Cassettenlade zu öffnen, und die Cassette erneut einlegen.
- Wenn die Cassettenlade sich nicht vollständig schließen kann, öffnet sie sich automatisch nach 10 Sekunden, auch wenn die OPEN/CLOSE-Taste (▲) nicht gedrückt wird.
- Niemals versuchen, die Cassettenlade mit der Hand zu öffnen oder zu schließen, weil sie dadurch beschädigt wird.



AUFNAHME

Beschreibung der DAT-Aufnahme

Anders als bei Audio-Compact-Cassetten können verschiedene Steuercodes, die als Subcodes bezeichnet werden, getrennt vom Audiosignal auf das DAT-Band aufgezeichnet werden. Die Subcodes werden für eine Vielzahl von praktischen Wiedergabe- und Editierfunktionen verwendet. Vom Benutzer können drei Subcodes aufgezeichnet werden: Start-ID, End-ID und Skip-ID.

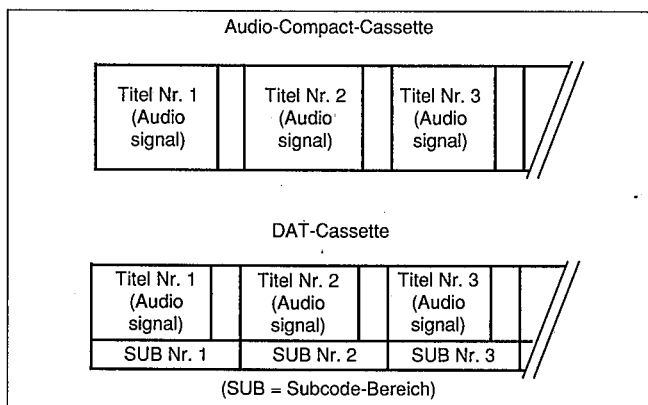
Start-ID: Markiert den Anfang jedes Titels und dient zum Programmieren und Suchen von Titeln.

End-ID: Markiert das Ende der Aufnahme.

Skip-ID: Markiert den Anfang eines Abschnitts, der übersprungen werden soll.

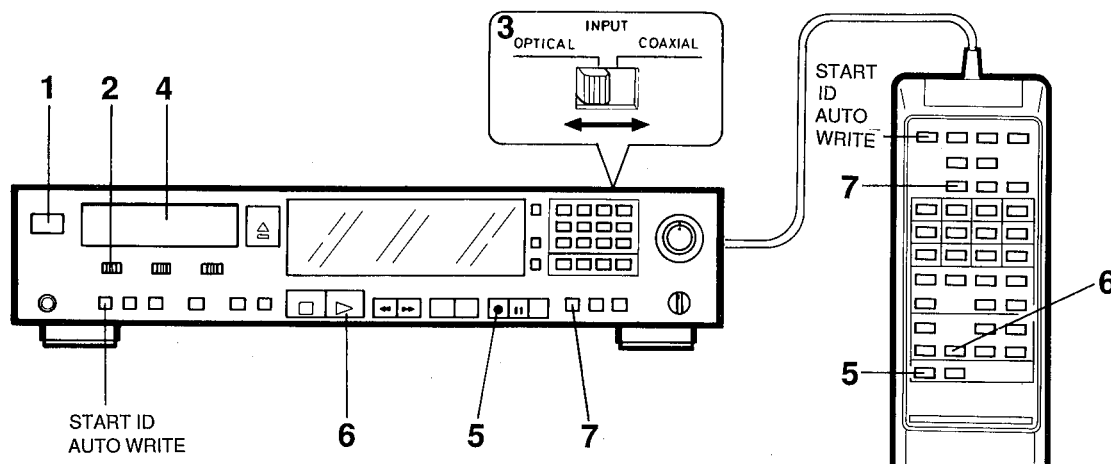
Außerdem wird nach Beendigung der Aufnahme automatisch die Absolutzeit aufgezeichnet.

- Es wird empfohlen, vor der Durchführung einer wichtigen Aufnahme eine Probeaufnahme zu machen, um sicherzustellen, daß der Ton richtig aufgezeichnet wird.



Aufnahme von den Digitaleingangsbuchsen (Koaxial- oder Lichtwellenleiter-Buchse)

Diese Methode wird für Aufnahme von einem anderen DAT-Recorder oder einer sonstigen Digital-Audio-Quelle empfohlen.



1 Den POWER-Schalter einschalten (ON).

Bei jedem Einschalten des POWER-Schalters wird die START ID AUTO WRITE-Taste aktiviert, dann leuchtet die Taste. Dann werden die Titelnummern während der Aufnahme automatisch aufgezeichnet. Wenn keine Titelnummern benötigt werden, die START ID AUTO WRITE-Taste drücken, so daß die Anzeige auf der Taste erlischt.

2 Den INPUT-Wähler auf DIGITAL stellen.

3 Den DIGITAL INPUT-Wähler an der Geräterückseite entsprechend der verwendeten Buchsen einstellen.

Koaxial-Buchsen: Auf COAXIAL stellen.
Lichtwellenleiter-Buchsen: Auf OPTICAL stellen.

4 Eine DAT-Cassette in die Cassettenlade einlegen.

5 Die REC-Taste (●) drücken.

Das Gerät schaltet auf Aufnahmebereitschaft. Wenn die Aufnahme am Bandanfang startet, wird automatisch ein stummer Abschnitt von etwa 7 Sekunden Dauer erstellt, bevor das Deck auf Aufnahmebereitschaft schaltet.

6 Die Aufnahmequelle auf Wiedergabe schalten und die PLAY-Taste (▶) drücken, um die Aufnahme zu starten.

Wenn die START ID AUTO WRITE-Taste aktiviert ist und das Gerät einen stummen Abschnitt von mehr als 2 Sekunden Dauer erkennt, werden automatisch eine Start-ID aufgezeichnet und der Titel numeriert.

7 Wenn die Aufnahme beendet ist, die END ID WRITE-Taste drücken.

Nach Aufzeichnung der End-ID stoppt der Bandlauf automatisch.

- Wenn eine End-ID aufgezeichnet wird, ist es einfach, die Aufnahme vom Ende der vorigen Aufnahme fortzusetzen. Siehe Seite 76.

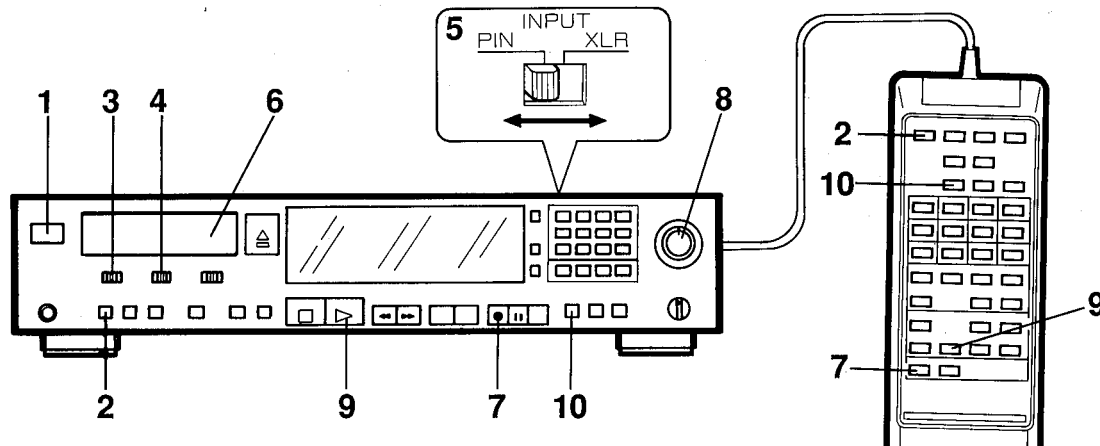
HINWEISE:

- Für Aufnahme von Digitalquellen von einem DAT-Recorder, der den Kategorie-Code "DAT" sowie die Start-ID- und Skip-ID-Signale zu den Digitalausgängen senden kann, muß sichergestellt werden, daß die START ID AUTO WRITE-Taste aktiviert ist (leuchtet). Dann zeichnet das Gerät die Start-ID- und Skip-ID-Signale, die in der Quelle enthalten sind, unverändert auf.
- Wenn die Spannungsversorgung der Aufnahmequelle ausgeschaltet wird, schaltet das Gerät auf Aufnahmebereitschaft, und der Bandlauf stoppt. Wenn in dieser Situation die Spannungsversorgung der Aufnahmequelle wieder eingeschaltet wird, wird die Aufnahme vom nächsten Titel an fortgesetzt.
- Bei Aufnahme über die Digitaleingangsbuchsen wird kein Signal über die Digitalausgangsbuchsen ausgegeben.
- Den INPUT-Wähler und den DIGITAL INPUT-Wähler unbedingt vor der Aufnahme einstellen. Wenn Sie während der Aufnahme umgestellt werden, schaltet das Gerät auf Aufnahmepause.
- Die Abtastfrequenz wird automatisch entsprechend der Aufnahmequelle eingestellt.
- Bei Aufnahme von den Digitaleingangsbuchsen ist es nicht erforderlich, den Aufnahmepegel einzustellen.

Aufnahme von den Analogeingangsbuchsen

Diese Methode wird empfohlen, um eine Aufnahme von einem Mischpult, Analog-Cassettendeck, Tuner, Plattenspieler oder ähnlichen Audiogerät durchzuführen.

Bei Aufnahme von diesen Quellen kann es vorkommen, daß die Titelnummern mit der Start-ID-Auto-Write-Funktion nicht einwandfrei aufgezeichnet werden. In diesem Fall es möglich, während oder nach der Aufnahme die Start-ID-Signale manuell aufzuzeichnen. Siehe Seite 75.



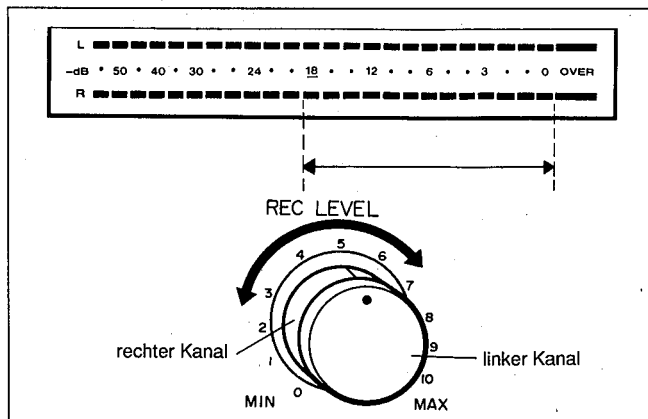
- 1 Den POWER-Schalter einschalten (ON).**
- 2 Die START ID AUTO WRITE-Taste einstellen.**
Wenn die Aufnahmequelle keine stummen Abschnitte von etwa 2 Sekunden Dauer zwischen den Titeln enthält, die START ID AUTO WRITE-Taste drücken, so daß die Anzeige der Taste erlischt.
- 3 Den INPUT-Wähler auf ANALOG stellen.**
- 4 Den REC fs-Wähler einstellen.**
- 5 Den ANALOG INPUT-Wähler an der Geräterückseite entsprechend der zu verwendenden Buchsen einstellen.**
Cinchbuchsen: Auf PIN stellen.
XLR-Buchsen: Auf XLR stellen.
- 6 Eine DAT-Cassette einlegen.**
- 7 Die REC-Taste (●) drücken.**
Das Gerät schaltet auf Aufnahmebereitschaft. Bei Aufnahme vom Bandanfang an wird automatisch ein stummer Abschnitt von etwa 7 Sekunden Dauer erstellt, anschließend schaltet das Gerät auf Aufnahmebereitschaft.

- 8 Die Aufnahmequelle wiedergeben und den Aufnahmepegel mit dem REC LEVEL-Regler aussteuern. Siehe unten.**
- 9 Die PLAY-Taste (▶) drücken, um die Aufnahme zu starten.**
- 10 Bei Beendigung der Aufnahme die END ID WRITE-Taste drücken.**
Nach Aufzeichnung des End-ID-Signals stoppt der Bandlauf automatisch.
 - Wenn eine End-ID aufgezeichnet wird, ist es einfach, die Aufnahme vom Ende der vorigen Aufnahme fortzusetzen. Siehe Seite 20.

HINWEIS:

Den INPUT-Wähler und den DIGITAL INPUT-Wähler unbedingt vor der Aufnahme einstellen. Wenn Sie während der Aufnahme umgestellt werden, schaltet das Gerät auf Aufnahmepause.

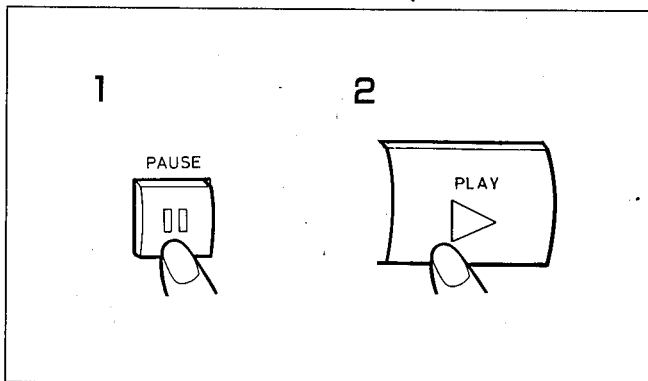
Einstellung des Aufnahmepegels bei Aufnahme von den Analogeingangsbuchsen



In der Regel sollte der Aufnahmepegel so eingestellt werden, daß die Spitzenpegel zwischen "-18 dB" und "0" liegen. Sie dürfen auf keinen Fall "OVER" erreichen. Wenn die Spitzenpegel "0" überschreiten, leuchtet "OVER", und der Klang kann verzerrt sein.

- Wenn der Aufnahmepegel für den linken und rechten Kanal unterschiedlich ist, den linken und rechten Kanal getrennt aussteuern. (Siehe die Abbildung.)

Kurzzeitiges Unterbrechen der Aufnahme (Pause)



1 Die PAUSE-Taste (8) drücken.

Die Aufnahme wird unterbrochen.

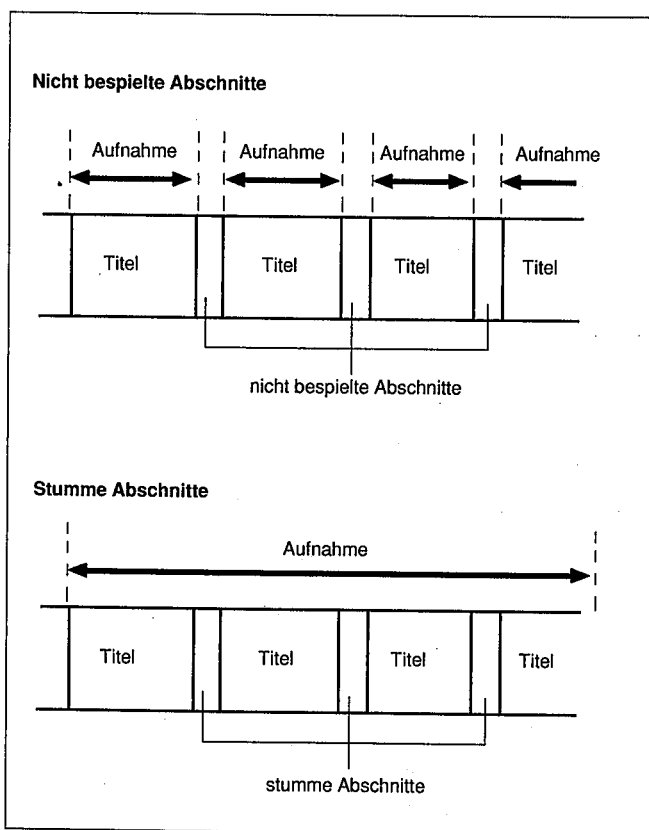
2 Zum Fortsetzen der Aufnahme die PLAY-Taste (3) oder die PAUSE-Taste (8) drücken.

- Wenn die START ID AUTO WRITE-Taste aktiviert ist (leuchtet), wird an der Stelle, wo die Aufnahme fortgesetzt wird, eine Start-ID aufgezeichnet.

HINWEIS:

Nach etwa 5 Minuten Aufnahmepause wird der Tonkopf vom Band entfernt, um das Band und den Tonkopf zu schützen.

Nicht bespielte Abschnitte und stumme Abschnitte



Bei Audio-Compact-Cassetten werden die Abschnitte, auf denen nie eine Aufnahme durchgeführt wurde (durch Schnellvorspulen erzeugte nicht bespielte Abschnitte), und die Abschnitte, auf denen Aufnahme ohne Ton durchgeführt wurde (mit der Stummaufnahmefunktion erzeugte stumme Abschnitte), gleich behandelt. Diese Abschnitte werden zum Suchen von Titeln verwendet, da in ihnen kein Wiedergabeton gehört wird.

Bei DAT-Recordern wird dagegen zwischen nicht bespielten und stummen Abschnitten unterschieden. Wenn nicht bespielte Abschnitte auf dem Band vorhanden sind, kann für den Suchlauf mit der APSS-Funktion viel Zeit erforderlich sein, während der Suchlauf unter Verwendung der Absolutzeit unter Umständen nicht einwandfrei durchgeführt wird. Daher muß bei der Durchführung der Aufnahme darauf geachtet werden, daß keine nicht bespielten Abschnitte auf dem Band verbleiben.

Da für den Titelsuchlauf auf Audio-Compact-Cassetten unbespielte Bandabschnitte erstellt werden müssen, wird empfohlen, auf DAT-Cassetten stumme Abschnitte zwischen den Titeln aufzunehmen, um ein Überspielen von diesen Cassetten auf Audio-Compact-Cassetten zu ermöglichen.

- Zum Erstellen eines stummen Abschnitts während der Aufnahme die REC MUTE-Taste drücken. Dann wird für die Dauer, die die Taste gedrückt gehalten wird, ein stummer Abschnitt erstellt. Es wird empfohlen, stumme Abschnitte von etwa 4 Sekunden Dauer zu erstellen, wenn Überspielen auf eine Audio-Compact-Cassette vorgesehen ist. Auf keinen Fall nicht bespielte Abschnitte durch Vorspulen des Bandes mit der FF-Taste (▶▶) oder der PLAY-Taste (▶) erzeugen.
- Um die Aufnahme auf einem teilweise bespielten Band fortzusetzen, die Endsuchfunktion (Seite 20) verwenden, um das Ende der vorigen Aufnahme zu suchen. Auf diese Weise wird vermieden, daß ein nicht bespielter Abschnitt erzeugt wird.

START-ID-SIGNALE UND TITELNUMMERN

Die tatsächliche Nummer eines auf Band aufgenommenen Titels und die am Gerät angezeigte Titelnummer können unterschiedlich sein, auch wenn die Titelnummern automatisch mit der START ID AUTO WRITE-Funktion aufgezeichnet wurden. Dies kann aufgrund des Inhalts des aufgenommenen Titels vorkommen.

Die Titelnummern werden unter Umständen bei der Aufnahme von Quellen folgenden Inhalts nicht einwandfrei aufgezeichnet:

- Gespräche mit Unterbrechungen.
- Insgesamt niedriger Aufnahmepegel

- Zu kurze stumme Abschnitte (2 Sekunden oder weniger) zwischen den Titeln
 - Lange leise Passagen
 - Störgeräusche oder Rauschen zwischen den Titeln
- Wenn die Titelnummern nicht richtig aufgezeichnet werden, kann es erforderlich sein, Titelnummern hinzuzufügen oder zu löschen.

Es wird empfohlen, die Titelnummern bei Aufnahme von Quellen ohne stumme Abschnitte zwischen den Titeln während oder nach der Aufnahme manuell aufzuzeichnen.

Manuelle Aufzeichnung der Titelnummern während der Aufnahme

Die START ID WRITE-Taste am Anfang jedes Titels drücken (die Taste leuchtet).

Bei jedem Drücken der START ID WRITE-Taste werden eine Start-ID und die jeweils nächsthöhere Titelnummer aufgezeichnet. Während der Aufzeichnung einer Start-ID blinkt die ST-ID-Anzeige.

- Die manuelle Aufzeichnung von Titelnummern ist unabhängig von der Einstellung der START ID AUTO WRITE-Taste möglich.
- Bis zu 99 Titelnummern können aufgezeichnet werden. Bei Wiedergabe einer Cassette, die mehr als 99 Titel enthält, wird die Titelnummer nach dem 100. Titel nicht angezeigt.

Manuelle Aufzeichnung von Start-ID-Signalen während der Wiedergabe

Ein Start-ID-Signal markiert den Anfang eines Titels. Wenn dieses Signal und die entsprechende Titelnummer nicht aufgezeichnet werden, sind APSS-, APMS- und Direkt-Titelwahl nicht möglich.

Falls die Start-ID-Signale und Titelnummern nicht richtig auf dem Band aufgezeichnet wurden, Start-ID-Signale nach dem folgenden Verfahren einfügen und dann die Titel neu nummerieren (Seite 76).

1 Während der Wiedergabe die START ID WRITE-Taste an der Stelle drücken (die Taste blinkt), an der das Start-ID-Signal eingefügt werden soll.

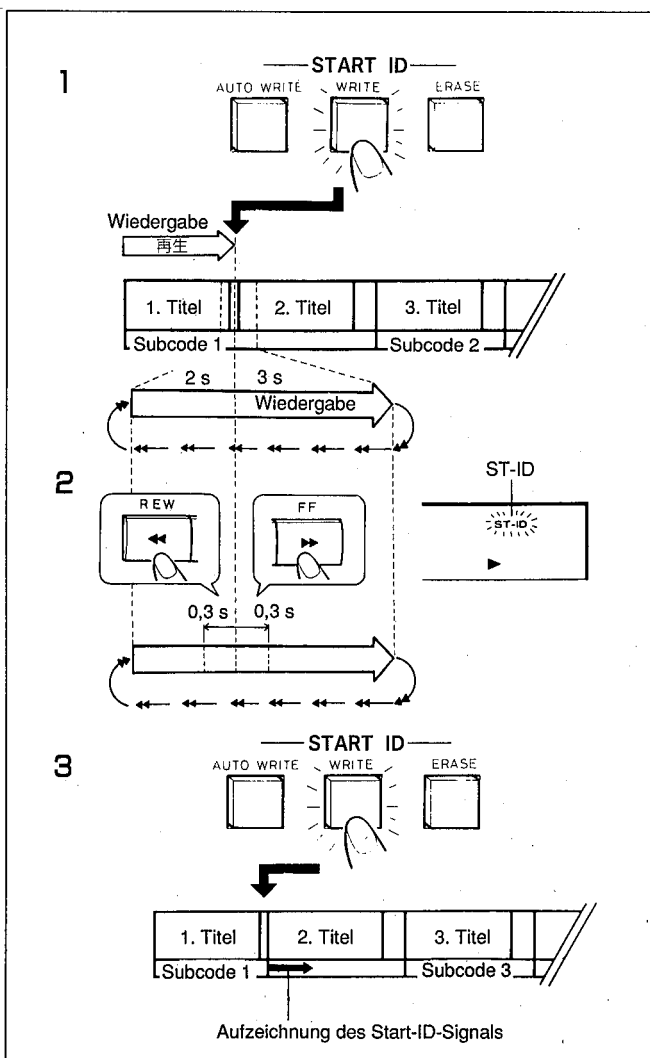
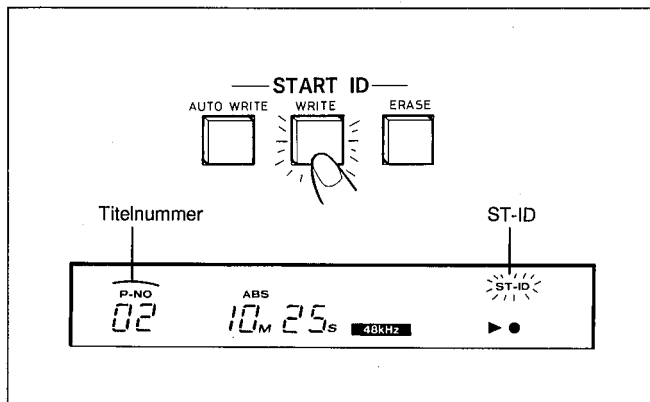
Das Band wird für 3 Sekunden wiedergegeben und dann zu dem Punkt 2 Sekunden vor Drücken der START ID WRITE-Taste zurückgespult. Die Wiedergabe startet von diesem Punkt für 5 Sekunden und wird 10 Mal wiederholt (Testwiedergabe). Da die ST-ID-Anzeige leuchtet, wenn das Start-ID-Signal erkannt wird, kann die Plazierung des Start-ID-Signals überprüft werden. Die Position des Start-ID-Signals beim Hören der Testwiedergabe überprüfen.

2 Wenn das Start-ID-Signal nicht richtig am Titelanfang eingefügt wurde, kann es mit der REW-Taste (◀◀) zurück- oder mit der FF-Taste (▶▶) vorverlegt werden.

Bei jedem Drücken der REW-Taste (◀◀) wird das Start-ID-Signal um 0,3 Sekunden zurück- und bei jedem Drücken der FF-Taste (▶▶) um 0,3 Sekunden vorverlegt.

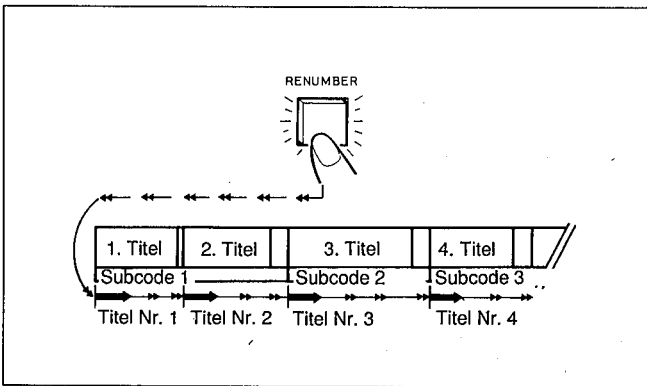
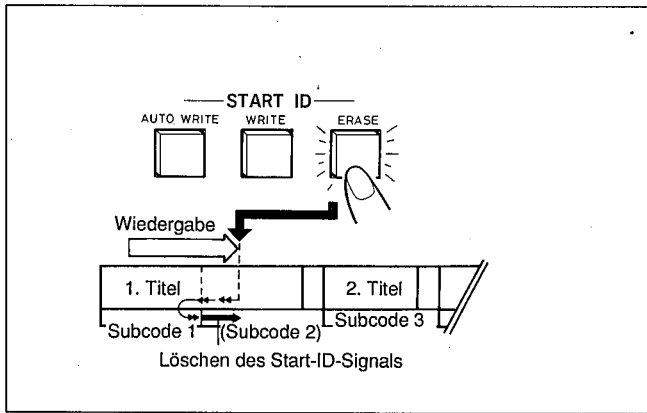
3 Wenn das Start-ID-Signal richtig eingefügt wurde, die START ID WRITE-Taste während der Testwiedergabe erneut drücken.

Die Taste leuchtet, und das Band wird zum Bandanfang zurückgespult, wo das Start-ID-Signal aufgezeichnet wird. (Während der Aufzeichnung blinkt die ST-ID-Anzeige.) Die Wiedergabe wird nach Aufzeichnung des Start-ID-Signals fortgesetzt.



Hinweise zur Aufzeichnung der Start-ID-Signale

- Wenn ein Start-ID-Signal an einem Punkt aufgezeichnet wird, wo ein Skip-ID-Signal aufgezeichnet wurde, wird das Skip-ID-Signal gelöscht.



- Der Abstand zwischen Start-ID-Signalen (Spielzeit des Titels) sollte mindestens 9 Sekunden betragen. Dieser 9-Sekunden-Abstand ist erforderlich, um einen einwandfreien Betrieb der APSS- und APMS-Funktion und der Neumerierung von Titeln zu gewährleisten.

Löschen von Start-ID-Signalen

Wenn ein Start-ID-Signal an einer falschen Stelle aufgezeichnet wurde, kann es während der Wiedergabe gelöscht werden. Nach dem Löschen eines Start-ID-Signals ist es unbedingt erforderlich, die Titel neu zu nummerieren.

Wenn die ST-ID-Anzeige auf dem Display erscheint, die START ID ERASE-Taste drücken (die Taste blinkt).

Das Band wird zum Anfang des laufenden Titels zurückgespult, und das Start-ID-Signal wird gelöscht. Beim Löschen blinkt die ST-ID-Anzeige. Nach dem Löschen des Start-ID-Signals wird die Wiedergabe fortgesetzt.

- Wenn bei dem Start-ID-Signal auch eine Titelnnummer aufgezeichnet wurde, werden beide Signale gleichzeitig gelöscht.

Neumerieren der Titel

Beim Einfügen und Löschen von Start-ID-Signalen werden Titelnnummern ersetzt. Dann müssen die Titel nach dem folgenden Verfahren neu nummeriert werden.

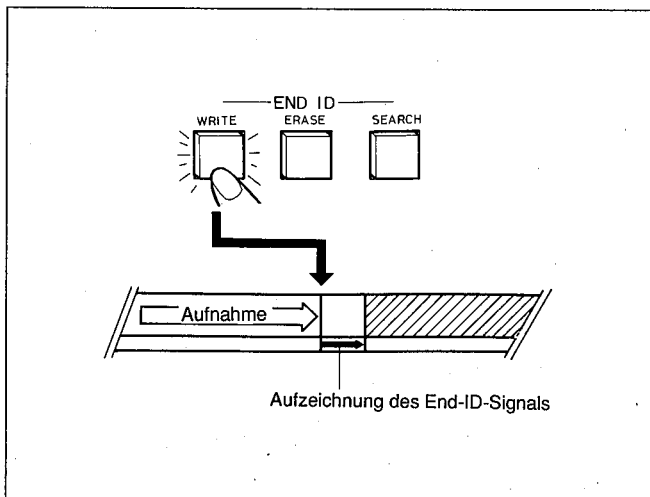
Die RENUMBER-Taste im Stopmodus drücken.

Das Band wird zum Anfang zurückgespult, und die Titel werden automatisch mit hoher Geschwindigkeit neu nummeriert. Jedesmal, wenn ein Start-ID-Signal gefunden wird, wird die entsprechende Titelnnummer, beginnend bei P.NO 1, aufgezeichnet.

- Bei Beendigung der Neumerierung wird das Band automatisch zum Anfang zurückgespult.

END-ID-SIGNALE

Ein End-ID-Signal markiert das Ende der Aufnahme. Das Band wird nicht weiter gespult als die Stelle, wo dieses Signal aufgezeichnet wurde. Auf diese Weise ist es einfach,



die Aufnahme am Ende einer vorigen Aufnahme fortzusetzen. Dadurch wird außerdem vermieden, daß ein nicht bespielter Abschnitt auf dem Band entsteht.

Aufzeichnung eines End-ID-Signals

Während der Aufnahme die END ID WRITE-Taste drücken.

Ein stummer Bandabschnitt wird automatisch erstellt, und das End-ID-Signal wird aufgezeichnet. Während der Aufzeichnung des End-ID-Signals blinkt die END-ID-Anzeige, danach stoppt das Band automatisch.

- Wenn das Gerät während Wiedergabe, Schnellvorspulen oder Cueing ein End-ID-Signal erkennt, wechselt die Titelnnummer zu "EE", und der Bandlauf stoppt automatisch.
- Der Abschnitt zwischen dem End-ID-Signal und dem vorherigen Start-ID-Signal darf nicht weniger als 9 Sekunden betragen, weil sonst die APSS- und die Neumerierung-Funktion nicht einwandfrei ausgeführt werden können.

Fortsetzen der Aufnahme vom Ende der vorigen Aufnahme

- 1 Die END ID SEARCH-Taste im Stopmodus oder während der Wiedergabe drücken.**
Die Taste blinkt. Das Band wird zum Anfang zurückgespult und dann zu dem Punkt vorgespult, wo das End-ID-Signal aufgezeichnet ist (Endsuchfunktion). Die Anzeige der Taste erlischt, wenn das Band stoppt.
- 2 Die Aufnahme an der Stelle starten, an der das Band stoppt.**
Die Titelnummern und die Absolutzeit werden von der vorigen Aufnahme fortgesetzt.
 - Das End-ID-Signal der vorigen Aufnahme wird automatisch gelöscht.

Löschen des End-ID-Signals

Das End-ID-Signal wird automatisch gelöscht, wenn die Aufnahme mithilfe der Endsuchfunktion fortgesetzt wird. Das End-ID-Signal kann nach dem folgenden Verfahren gelöscht werden, ohne eine anschließende Aufnahme durchzuführen.

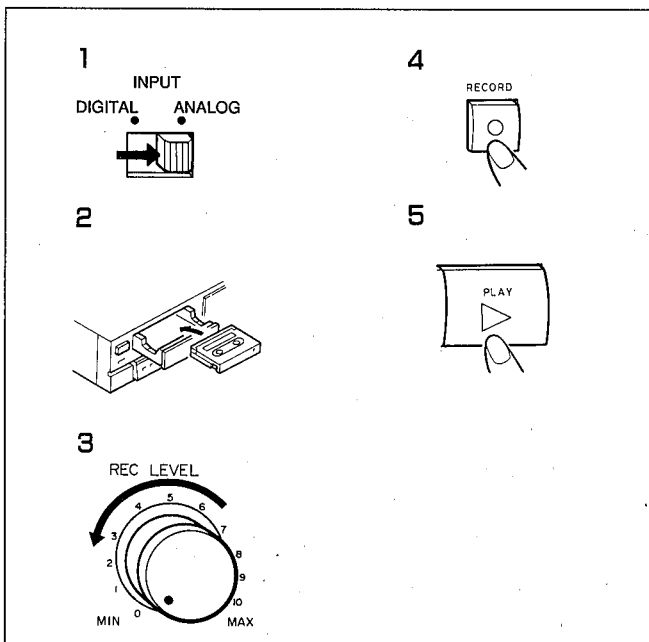
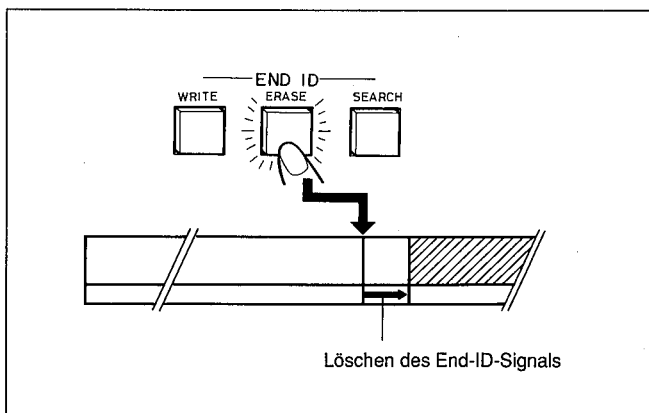
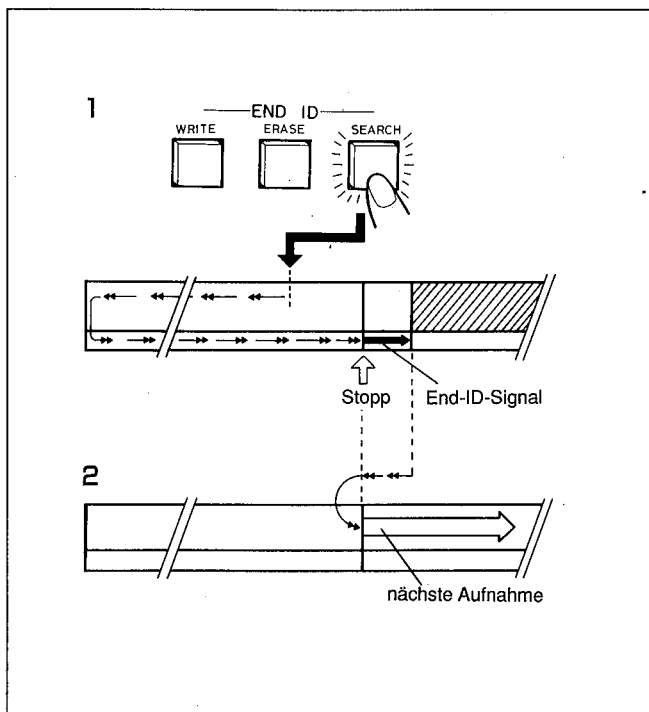
Wenn das Band nach Starten der Endsuchfunktion stoppt, die END ID ERASE-Taste drücken.

Die Taste blinkt. Wenn das End-ID-Signal gelöscht ist, stoppt das Band. (Während dem Löschen des End-ID-Signals wird das Band für einige Sekunden vorgespult, und die END-ID-Anzeige blinkt.)

Löschen des Aufnahmeinhalts

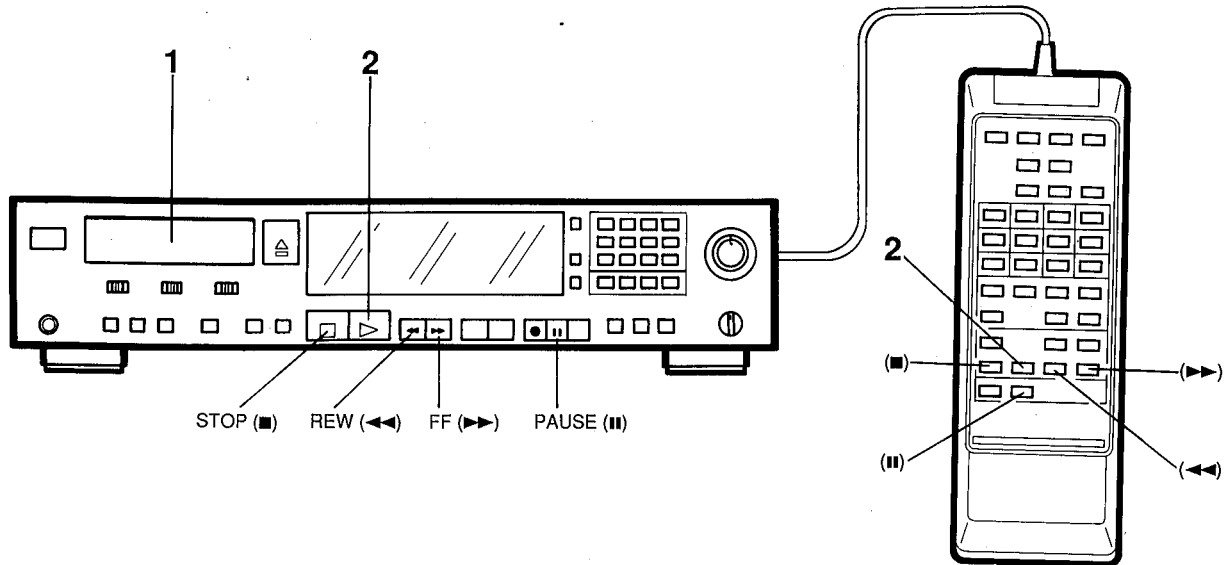
Wenn eine Aufnahme durchgeführt wird, wird eine eventuell vorhandene frühere Aufnahme automatisch gelöscht. Eine Aufnahme kann nach dem folgenden Verfahren gelöscht werden, ohne eine Neuaufnahme durchzuführen.

- 1 Den INPUT-Wähler auf ANALOG stellen.**
- 2 Die Cassette in die Cassettenlade einlegen.**
- 3 Den REC LEVEL-Regler ganz entgegen dem Uhrzeigersinn auf 0 (MIN) einstellen.**
- 4 Die REC-Taste (●) drücken.**
- 5 Die PLAY-Taste (▶) drücken.**
Die Aufnahme wird gelöscht.

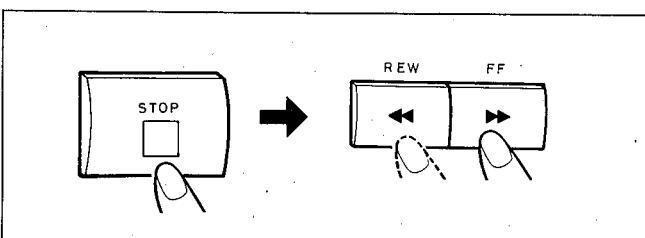
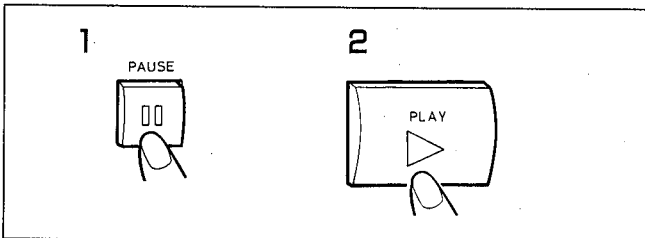
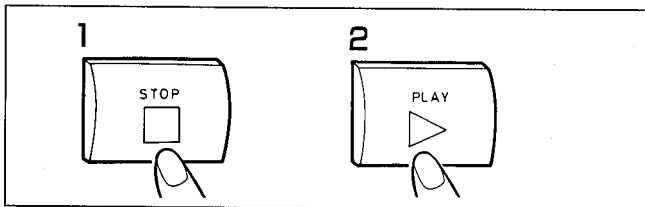


WIEDERGABE

Normale Wiedergabe



- 1 Die Cassette in die Cassettenlade einlegen.
- 2 Die PLAY-Taste (▶) drücken.



Stoppen der Wiedergabe

- 1 Die STOP-Taste (■) drücken.
- 2 Zum erneuten Starten der Wiedergabe die PLAY-Taste (▶) drücken.

Unterbrechen der Wiedergabe (Pause)

- 1 Die PAUSE-Taste (||) drücken.
 - 2 Zum Fortsetzen der Wiedergabe die PLAY-Taste (▶) oder die PAUSE-Taste (||) drücken.
- Zum Schutz des Bandes wird der Pausenmodus automatisch nach 5 Minuten aufgehoben, dann schaltet das Gerät auf Stopp.

Schnellvorspulen und Rückspulen des Bandes

- 1 Zum Schnellvorspulen des Bandes die STOP-Taste (■) und dann die FF-Taste (▶▶) drücken. Zum Rückspulen des Bandes die STOP-Taste (■) und dann die REW-Taste (◀◀) drücken.
- 2 Die STOP-Taste (■) drücken, um den Bandlauf zu stoppen.

APSS (Automatisches Programm-Such-System)

Die APSS-Funktion gestattet den Anfang jedes Titels während der Wiedergabe. Einfach durch Drücken der REW-Taste (◀◀) oder der FF-Taste (▶▶) kann zurück oder vorwärts gegangen werden.

HINWEISE:

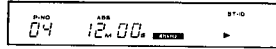
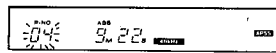
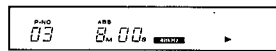
- Die APSS-Funktion arbeitet eventuell nicht einwandfrei, wenn der Abstand zwischen den Start-IDs weniger als 9 Sekunden beträgt (Seite 76).
- Wenn ein Titel nicht gemäß der mit der APSS-Funktion gewählten Titelnummer wiedergegeben wird, wurden das Start-ID-Signal und die Titelnummer nicht richtig auf dem Band aufgezeichnet. Siehe Seite 75.

Während der Wiedergabe die FF-Taste (▶▶) drücken, um zum Anfang des nächsten Titels weiterzugehen. Durch Drücken der REW-Taste (◀◀) wird zum Anfang des laufenden Titels zurückgekehrt.

Bei jedem Drücken der FF-Taste (▶▶) wird ein Titel in Vorwärts- und bei jedem Drücken der REW-Taste (◀◀) ein Titel in Rückwärtsrichtung übersprungen.

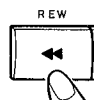
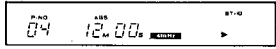
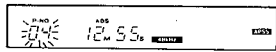
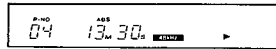
- Wenn die PAUSE-Taste (||) nach der FF-Taste (▶▶) bzw. REW-Taste (◀◀) gedrückt wird, wird am Anfang des angesprungenen Titels auf Pause geschaltet. Dann wird der Titel wiedergegeben, wenn die PLAY-Taste (▶) gedrückt wird.

<Beispiele>



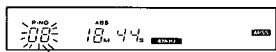
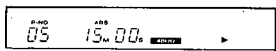
Anspringen des 4. Titels während der Wiedergabe von Titel 3:

Während der Wiedergabe von Titel 3 die FF-Taste (▶▶) einmal drücken. Die Titelnummer-Anzeige wechselt von 3 zu einer blinkenden 4, und das Band wird bis zum Anfang von Titel 4 schnellvorgespult. Am Anfang von Titel 4 startet die Wiedergabe.



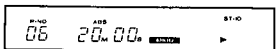
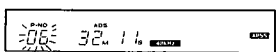
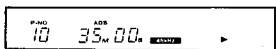
Erneute Wiedergabe von Titel 4 während der Wiedergabe von Titel 4

Während der Wiedergabe von Titel 4 die REW-Taste (◀◀) einmal drücken. Die Titelnummer-Anzeige wechselt zu einer blinkenden 4, und das Band wird bis zum Anfang von Titel 4 zurückgespult. Am Anfang von Titel 4 startet die Wiedergabe.



Anspringen von Titel 8 während der Wiedergabe von Titel 5

Während der Wiedergabe von Titel 5 die FF-Taste (▶▶) dreimal drücken. Die Titelnummer-Anzeige wechselt von 5 zu einer blinkenden 8, und das Band wird bis zum Anfang von Titel 8 schnellvorgespult. Am Anfang von Titel 8 startet die Wiedergabe.



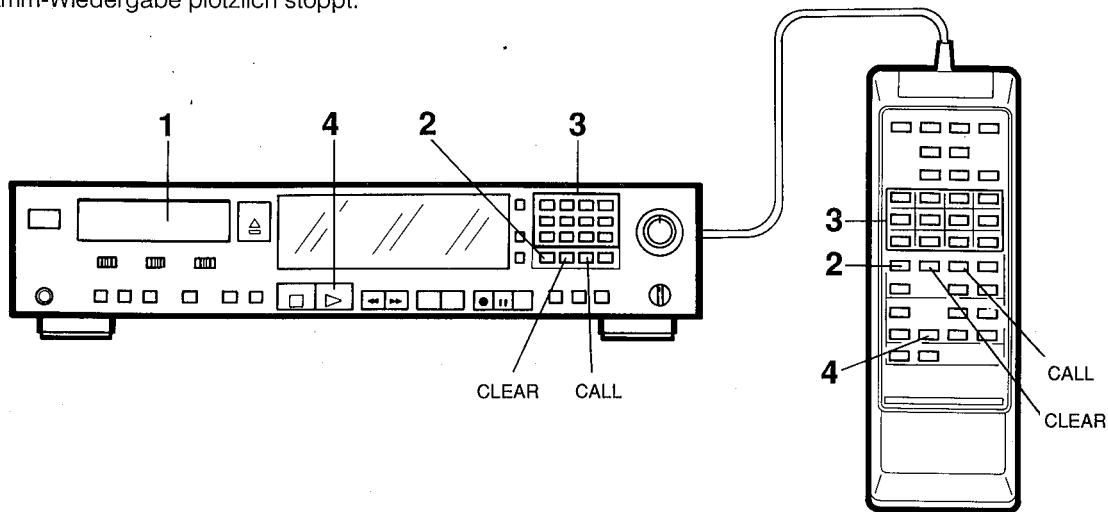
Anspringen von Titel 6 während der Wiedergabe von Titel 10

Während der Wiedergabe von Titel 10 die REW-Taste (◀◀) fünfmal drücken. Die Titelnummer-Anzeige wechselt von 10 zu einer blinkenden 6, und das Band wird bis zum Anfang von Titel 6 zurückgespult. Am Anfang von Titel 6 startet die Wiedergabe.

Programmierung von Titeln (APMS = Automatic Programmable Musik Selector)

Die gewünschten Titel können in beliebiger Reihenfolge programmiert werden.

- Wenn die Titel nicht richtig numeriert sind, kann es vorkommen, daß die falschen Titel programmiert werden oder daß die Programm-Wiedergabe plötzlich stoppt.



- 1 Die Cassette einlegen.**
- 2 Die PROGRAM-Taste drücken.**
Die APMS-Anzeige leuchtet.
- 3 Die gewünschten Titelnummern mit den Zifferntasten (1 - 0, +10, +20) in der gewünschten Reihenfolge eingeben.**

Beispiel:

Wahl von Titel 12:

"+10" und "2" drücken.

Wahl von Titel 20:

"+20" und "0" drücken.

Wahl von Titel 54:

"+20" zweimal, dann "+10" und "4" drücken.

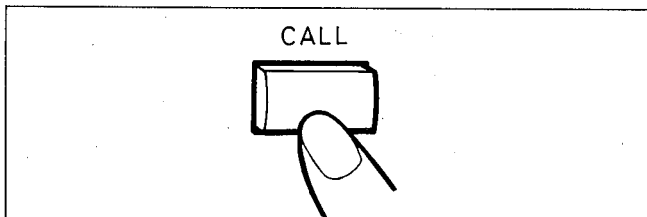
Im Display werden die Programmnummer (Wiedergabe-Reihenfolge) und die programmierte Titelnummer angezeigt.

- 4 Die PLAY-Taste (▶) drücken.**

Die programmierten Titel werden in der programmierten Reihenfolge wiedergegeben.

Anspringen eines Titels in einem Programm:

Die FF-Taste (▶▶) oder die REW-Taste (◀◀) drücken, um den Anfang eines nachfolgenden/vorherigen Titels im Programm anzuspringen.

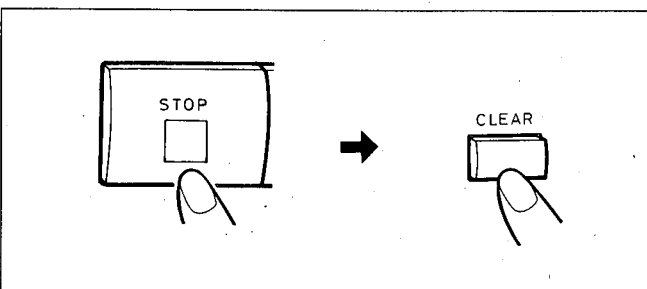


Überprüfen des Programminhalts

Im Stoppmodus die CALL-Taste drücken.

Die programmierten Titel werden in der programmierten Reihenfolge angezeigt.

- Wenn die CALL-Taste während der Programm-Wiedergabe gedrückt wird, wird die nächste programmierte Titelnummer für etwa eine Sekunde angezeigt.



Löschen eines programmierten Titels

Die STOP-Taste (■) und dann die CLEAR-Taste drücken.

Bei jedem Drücken der CLEAR-Taste wird der jeweils letzte Titel im Programm gelöscht.

Löschen des gesamten Programms

Die PROGRAM-Taste im Stoppmodus drücken.

Das gesamte Programm wird außerdem durch Drücken der OPEN/CLOSE-Taste und durch Ausschalten der Spannungsversorgung gelöscht.

Direktwahl

Jeder Titel kann direkt gewählt und wiedergegeben werden, indem die Titelnummer spezifiziert wird.

Die gewünschte Titelnummer im Stopp- oder Wiedergabemodus mit den Zahlentasten (0 - 1,+10, +20) eingeben.

Beispiel:

Wahl von Titel 12:

"+10" und "2" drücken.

Wahl von Titel 20:

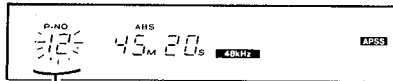
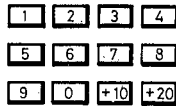
"+20" und "0" drücken.

Wahl von Titel 54:

"+20" zweimal, dann "+10" und "4" drücken.

Der Anfang des spezifizierten Titels wird gesucht und der Titel automatisch wiedergegeben.

- Die Direktwahlfunktion kann auch eingesetzt werden, um bis zum Anfang eines Titels vorzuspulen. Eine Titelnummer eingeben und die Pause-Taste (■) drücken. Der spezifizierte Titel wird gesucht, und das Gerät schaltet am Titelanfang auf Pause. Zum Starten der Wiedergabe die PLAY-Taste (▶) drücken.
- Wenn eine Titelnummer spezifiziert wird, die nicht auf der Cassette vorhanden ist, wird das Band bis zum Bandende vorgespult.
- Direkte Wahl kann nicht auf Cassetten durchgeführt werden, die keine Titelnummern enthalten oder auf denen die Titel nicht richtig numeriert sind.
- Direktwahl kann nicht für programmierte Titel im APMS-Modus eingesetzt werden.



gewählte Titelnummer

Absolutzeit-Suche

Die Wiedergabe kann an jeder gewünschten Bandstelle gestartet werden, indem die Absolutzeit (Zeitdauer vom Bandanfang bis zu der Stelle, an der die Wiedergabe beginnen soll) spezifiziert wird.

1 Die ABS TIME-Taste im Stopp- oder Wiedergabemodus drücken.

2 Die gewünschte Absolutzeit mit den Zahlentasten (0 - 1) eingeben.

Zum Suchen der Bandstelle "1 Stunde, 25 Minuten und 32 Sekunden" müssen "1", "2", "5", "3" und "2" gedrückt werden.

3 Die PLAY-Taste (▶) drücken.

Die Wiedergabe startet von der spezifizierten ABS-Zeit.

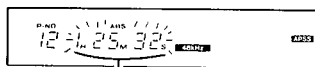
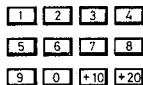
- Wenn die eingegebene Zeit länger ist als die Aufnahmezeit der Cassette, stoppt das Band am Bandende.
- Während der Wiedergabe muß die Absolutzeit innerhalb von 4 Sekunden nach Drücken der ABS TIME-Taste eingegeben werden, weil die Funktion danach deaktiviert wird.

1

ABS TIME

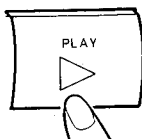


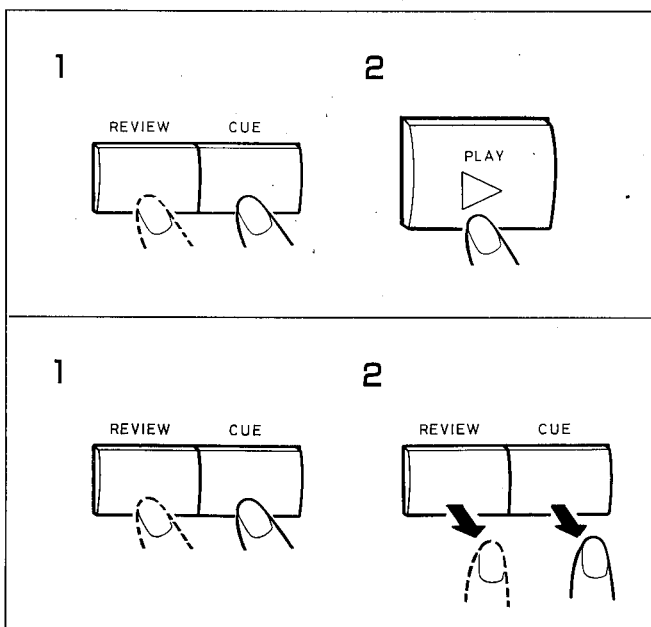
2



spezifizierte ABS-Zeit

3





Cue und Review

Mit der CUE-Taste und der REVIEW-Taste ist es möglich, mit dem 3fachen der normalen Wiedergabegeschwindigkeit vor- bzw. zurückzuspulen, wobei der Wiedergabeton gehört wird.

Im Stoppmodus:

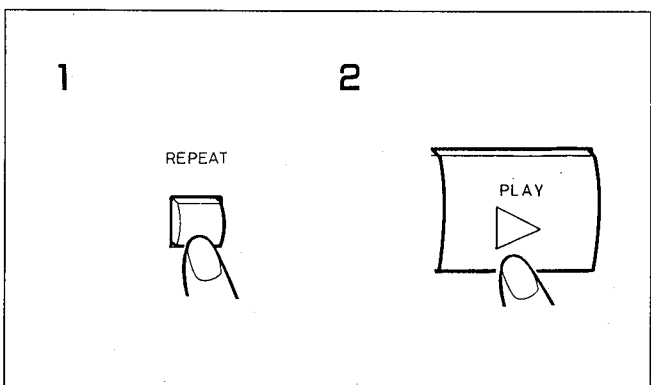
- 1 Die CUE-Taste zum Vorwärtsspulen oder die REVIEW-Taste zum Rückwärtsspulen drücken.
- 2 Die PLAY-Taste (▶) drücken, wenn die gesuchte Stelle erreicht ist.

Während der Wiedergabe:

- 1 Die CUE-Taste zum Vorwärtsspulen oder die REVIEW-Taste zum Rückwärtsspulen gedrückt halten.
- 2 Die Wiedergabe wird bei Loslassen der CUE- bzw. REVIEW-Taste fortgesetzt.
 - Bei Erreichen des Bandendes stoppt der Bandlauf automatisch.

HINWEIS:

Die CUE- und die REVIEW-Taste funktionieren nicht für die programmierten Titel im APMS-Modus.



Wiederholte Wiedergabe

Diese Funktion gestattet die kontinuierliche Wiederholung eines gesamten Bandes oder eines APMS-Programms. Für Programm-Wiederholung müssen vorher Titel programmiert werden (Seite 80).

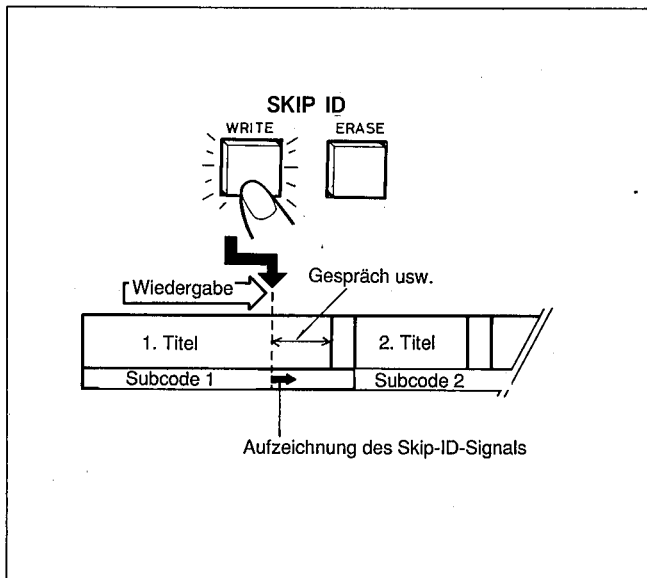
- 1 Die REPEAT-Taste drücken.
Die Anzeige ◀ leuchtet.
- 2 Die PLAY-Taste (▶) drücken.
Das gesamte Band oder das Programm wird wiederholt wiedergegeben.
 - Zum Fortsetzen der normalen Wiedergabe die REPEAT-Taste erneut drücken.
 - Die wiederholte Wiedergabe stoppt nach 24 Wiederholungen automatisch.

Überspringen von unerwünschten Abschnitten mit der Skip-ID

Wenn das Gerät eine Skip-ID findet, wird das Band bis zum Anfang des nächsten Titels schnellvorgesput.

Aufzeichnung des Skip-ID-Signals

Während der Wiedergabe die **SKIP ID WRITE-Taste am Anfang des zu Überspringenden Abschnitts drücken**. Die Taste leuchtet. Die Wiedergabe stoppt kurzzeitig, und das Skip-ID-Signal wird aufgezeichnet. (Während der Aufzeichnung blinkt die SKIP-ID-Anzeige.)

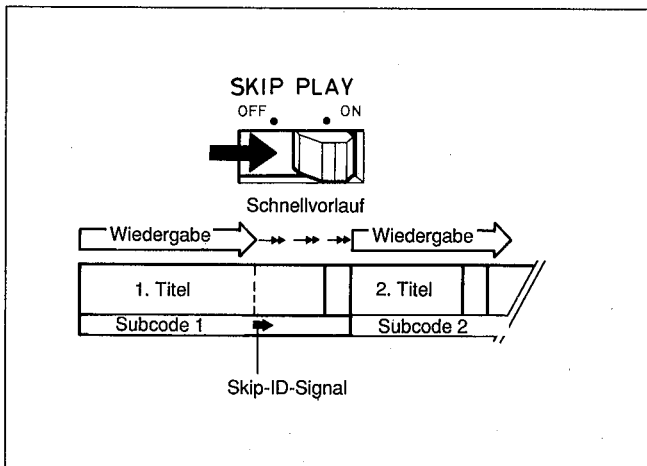


Überspring-Wiedergabe

Die **SKIP PLAY-Taste auf ON stellen**.

Wenn während der Wiedergabe ein Skip-ID-Signal gefunden wird, wird das Band bis zum Anfang des nächsten Titels schnellvorgesput, von wo aus die Wiedergabe fortgesetzt wird.

- Wenn eine Cassette, die ein Skip-ID-Signal enthält, ohne die Überspring-Wiedergabefunktion wiedergegeben werden soll, die SKIP PLAY-Taste auf OFF stellen. Dann wird die Cassette normale wiedergegeben, aber das Skip-ID-Signal wird nicht gelöscht.

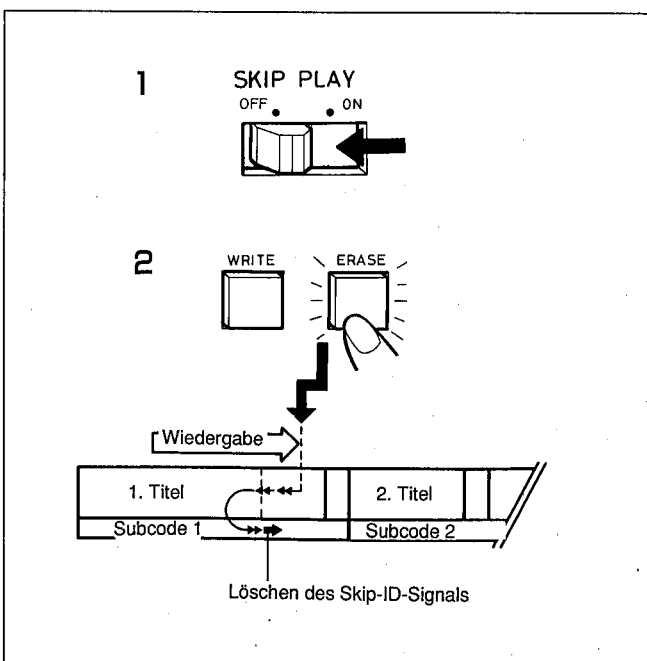


Löschen des Skip-ID-Signals

1 Die SKIP PLAY-Taste auf OFF stellen.

2 Den Titel, der das Skip-ID-Signal enthält, wiedergeben, und die SKIP ID ERASE-Taste drücken, wenn die SKIP ID-Anzeige leuchtet.

Das Band wird zu der Stelle zurückgespult, wo das Skip-ID-Signal aufgezeichnet wurde. Die SKIP ID-Anzeige blinkt, und die Skip-ID wird gelöscht. Nach Löschen der Skip-ID wird die Wiedergabe fortgesetzt.



Anzeige der bisherigen Spielzeit und des Bandzählwerks

Bei jedem Drücken der DISPLAY-Taste während der Wiedergabe wechselt die Anzeige in der Reihenfolge 1, 2 und 3.

1 Die PROG-Anzeige leuchtet, und die bisherige Spielzeit vom Anfang des laufenden Titels wird angezeigt.

- Bei Wiedergabe eines Titels, der kein Start-ID-Signal enthält, wird "-- M -- S" angezeigt.
- Im APSS-Modus wird die Absolutzeit angezeigt.
- Während Schnellvorlauf, Rückspulen, Cue und Review wird "-- M -- S" angezeigt.

2 Die COUNTER-Anzeige leuchtet, und die Bandzählwerkposition wird angezeigt.

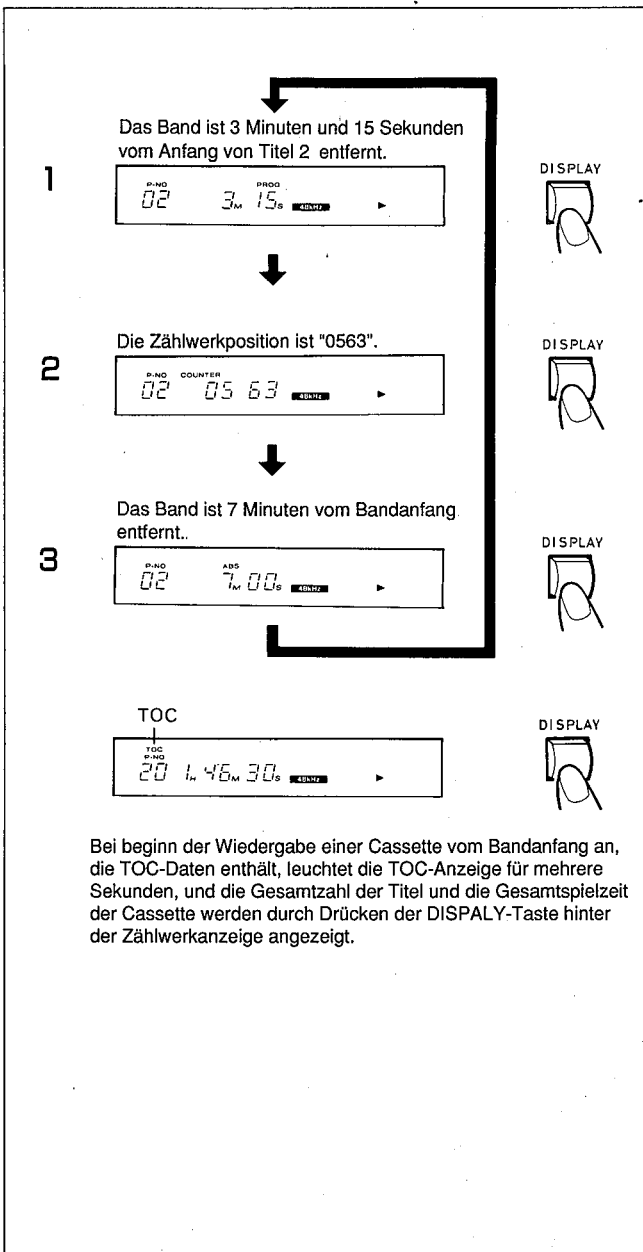
- Zum Rückstellen des Bandzählwerks die COUNTER RESET-Taste drücken. Auf dem Display erscheint "0000". In den anderen Display-Modi ist die COUNTER RESET-Taste wirkungslos.

3 Die ABS-Anzeige leuchtet, und die gesamte bisherige Spielzeit vom Bandanfang (Absolutzeit) wird angezeigt.

- Bei Cassetten, auf denen keine Absolutzeit aufgezeichnet ist, wird "-- M -- S" angezeigt.

HINWEIS:

- Wenn ein Abschnitt wiedergegeben wird, der weder Start-ID-Signale noch Titelnummern enthält, wird keine Titelnummer angezeigt.



BEI STÖRUNGEN

Sollte das Gerät nicht einwandfrei arbeiten, Überprüfen Sie es anhand der folgenden Tabelle. Wenn das Problem sich nicht beheben läßt oder nicht in der Tabelle aufgeführt ist, schalten Sie die Spannungsversorgung aus, ziehen Sie den Netzstecker und wenden Sie sich an Ihren Yamaha-Fachhändler oder eine Kundendienststelle.

PROBLEM	PRÜFPUNKT
Spannungsversorgung kann nicht eingeschaltet werden.	<ul style="list-style-type: none"> ● Ist das Netzkabel angeschlossen?
Nach Einlegen einer Cassette schließt sich die Cassettenlade nicht.	<ul style="list-style-type: none"> ● Wurde die Cassette richtig eingelegt? ● Ist die verwendete Cassette eine DAT-Cassette?
Das Gerät arbeitet nicht.	<ul style="list-style-type: none"> ● Ist eine Cassette eingelegt? ● Befinden sich andere Gegenstände in der Cassettenlade? ● Hat sich am Tonkopf oder an der Cassette Kondensation gebildet?
Kein Wiedergabeton von beiden Kanälen.	<ul style="list-style-type: none"> ● Ist das Gerät richtig am Verstärker angeschlossen?
Kein Wiedergabeton von einem Kanal.	<ul style="list-style-type: none"> ● Ist ein Kabel lose oder abgetrennt?
Die Absoulzeit wird falsch angezeigt.	<ul style="list-style-type: none"> ● Sind die Titelnummern in der richtigen Reihenfolge aufgezeichnet?
Die tatsächliche Anzahl der aufgenommenen Titel und die Titelnummern stimmen nicht Überein. (Z.B. befinden sich 6 Titel auf dem Band, aber es erscheinen nur die Titelnummern 1, 2, 3, 4 und 5.)	<ul style="list-style-type: none"> ● Dies kann bei bestimmten Programmquellen vorkommen (verursacht durch Störgeräusche zwischen den Titeln, zu kurze Abstände zwischen den Titeln, Tonausfälle usw.) Siehe Seite 75.
Ein mit APSS oder APMS gewählter Titel ist nicht der gewünschte Titel.	<ul style="list-style-type: none"> ● Stimmt die tatsächliche Anzahl der aufgenommenen Titeln mit den Titelnummern Überein? Siehe Seite 75.
Das Band stoppt im APMS-Modus.	<ul style="list-style-type: none"> ● Sind alle APMS-Titelnummern gültig? ● Wurden die Titel neunumeriert?
Der Ton vom Digitaleingang kann nicht aufgenommen werden.	<ul style="list-style-type: none"> ● Ist der INPUT-Wähler auf DIGITAL eingestellt? ● Ist das Koaxial- oder Lichtwellenleiterkabel richtig angeschlossen? ● Ist der DIGITAL INPUT-Wähler an der Geräterückseite richtig eingestellt? ● Ist das Lichtwellenleiterkabel beschädigt oder gebrochen?
Bei Aufnahme vom Digitaleingang kann der Aufnahmepegel nicht angesteuert werden.	<ul style="list-style-type: none"> ● Bei Aufnahme vom Digitaleingang ist eine Einstellung des Aufnahmepegels nicht erforderlich.
Bei Drücken einer Taste sind Klickgeräusche hörbar.	<ul style="list-style-type: none"> ● Diese Geräusche treten auf, wenn die Band- oder Tonkopf-Schutzfunktion aktiviert wird. ● Diese Geräusche können außerdem auftreten, wenn während Schnellvorlauf oder Rückspulen ein nicht bespielter Bandabschnitt erreicht wird. (Diese Geräusche sind normal.)

TECHNISCHE DATEN

DAT-System	Digital-Audio-Tape-Recorder mit rotierendem Tonkopf
Ladesystem	horizontale Frontladung
Aufnahmesystem	Serial Copy Management System
Aufnahme-Abtastfrequenz	
Digital	48 kHz, 44,1 kHz, 32 kHz/2 Kanäle
Analog	48 kHz, 44,1 kHz/2 Kanäle
Quantisierung	16-Bit-Linearwandlung
Bandgeschwindigkeit	8,15 mm/s
Schnellspulzeit	45 s max. für 120-Minuten-Cassette
Gesamtfrequenzgang	
fs = 48 kHz	2 Hz bis 22 kHz, +/-0,5 dB
fs = 44,1 kHz	2 Hz bis 20 kHz, +/-0,5 dB
Gesamtklirrrgrad und Rauschen	0,003% bei 1 kHz
Dynamikumfang	92 dB
Separation	96 dB bei 1 kHz
Digitaleingang	
Koaxial	0,2 Vs-s/75 Ohm (IEC 958)
Lichtwellenleiter	(EIAJ CP-340)
Digitalausgang	
Koaxial	0,5 Vs-s/75 Ohm (IEC 958)
Lichtwellenleiter	(EIAJ CP-340)
Analogeingang	
symmetrisch	Referenzpegel +4 dB/10 kOhm (XLR 3-31)
unsymmetrisch	0,3 Vrms min. für Skalenendwert (Cinch)
Analogausgang	
symmetrisch	Referenzpegel +4 dB/Skalenendwert +22 dBm (XLR 3-32)
unsymmetrisch	2 Vrms max. (Cinch)
Kopfhörerausgang	75 mW/32 Ohm max. (1/4" Klinkebuchse)
Leistungsaufnahme	28 W

Spannungsversorgung

USA-Modell	120 V, 60 Hz
Europa-Modell	230 V, 50 Hz
Abmessungen (B x H x T)	480 x 88 x 329 mm
Gewicht	6 kg
Zubehör	
Fernbedienungsgeber	1

* Technische Änderungen vorbehalten.

- This product complies with the radio frequency interference requirements of the Council Directive 82/499/ECC and /or 87/308/EEC.
- Cet appareil est conforme aux prescriptions de la directive communautaire 87/308/CEE.
- Diese Geräte entsprechen der EG-Richtlinie 82/499/EWG und/oder 87/308/EWG.
- Dette apparat overholder det gældende EF-direktiv vedrørende raduistøj.
- Questo apparecchio è conforme al D.M.13 aprile 1989 (Direttiva CEE/87/308) sulla soppressione dei radiodisturbi.
- Este producto está de acuerdo con los requisitos sobre interferencias de radio frecuencia fijados por el Consejo Directivo 87/308/CEE.

OBSERVERA!

Apparaten kopplas inte ur växelströmskällan (nätet) så länge som den är ansluten till vägguttaget, även om själva apparaten har stängts av.

ADVARSEL

Netspændingen til dette apparat er IKKE afbrudt, så længe netledningen sidder i en stikkontakt, som er tændt — også selvom der er slukket på apparatets afbryder.

VAROITUS

Laitteen toisiopiriin kytketty käyttökytkin ei irroita koko laitetta verkosta.

YAMAHA

SERVICE

This product is supported by Yamaha's worldwide network of factory trained and qualified dealer service personnel. In the event of a problem, contact your nearest Yamaha dealer.

SERVICE APRES-VENTE

Cet appareil est couvert par le réseau mondial de service après-vente Yamaha. En cas de problème, contactez le concessionnaire Yamaha le plus proche.

KUNDENDIENST

Dem DTR2 steht das weltweite Yamaha Kundendienstnetz mit qualifizierten Technikern zur Verfügung. Im Falle einer Störung sofort den Fachhandel in Ihrer Nähe benachrichtigen.

YAMAHA CORPORATION