

YAMAHA NS-E105

Natural Sound Bass-Reflex
Effect Speaker System

Thank you for selecting this Yamaha NS-E105 speaker system.

This model is designed to be used as an effect speaker in a Cinema DSP/Surround Sound system.

PRECAUTIONS

Read these precautions carefully before using your speaker.

- Any time you note distortion, reduce the volume control on your amplifier to a lower setting. Never allow your amplifier to be driven into "clipping". Otherwise the speaker may be damaged.
- When using an amplifier with a rated output power higher than the nominal input power of the speaker, care should be taken never to exceed the speaker's maximum input.
- Do not attempt to clean the speaker with chemical solvents as this might damage the finish. To clean, wipe with a dry, soft cloth.
- To prevent the enclosure from warping or discoloring, do not place the speaker where it will be exposed to direct sunlight or excessive humidity.
- Do not place the speaker where it is liable to be knocked over or struck by falling objects. Stable placement will also ensure better sound performance.
- Placing the speaker on the same shelf or rack as the turntable can result in feedback.
- As these speakers contain strong magnets, avoid placing watches, magnetic tapes, etc. near them. Also, placing the speakers near a TV set may impair picture color. If this happens, move the TV set away from the speakers.
- **Secure placement or installation is the owner's responsibility. YAMAHA shall not be liable for any accident caused by improper placement or installation of the speaker.**

CONNECTION TO YOUR AMPLIFIER

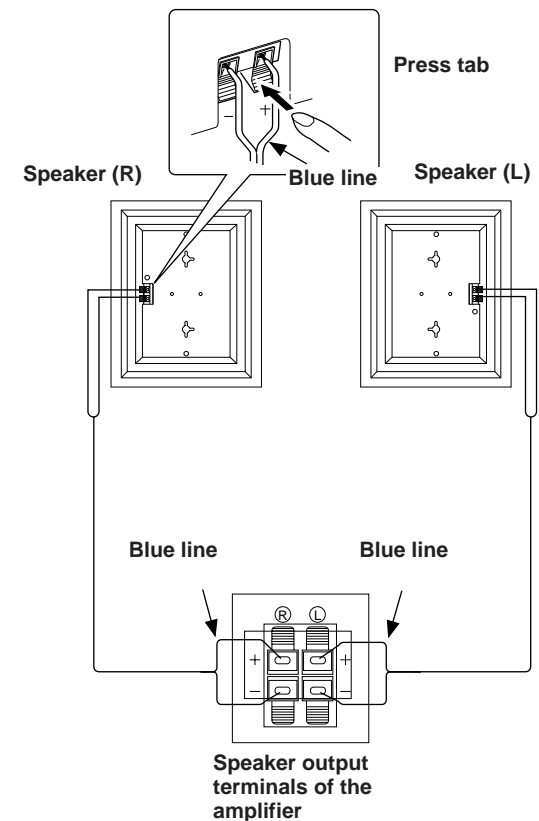
BEFORE MAKING CONNECTIONS, MAKE SURE THAT THE AMPLIFIER IS SWITCHED OFF.

■ CONNECTIONS

- Connect the push-type input terminals at the rear of the speakers to the speaker output terminals of your amplifier with the provided speaker cables.
- One side of the speaker cable is marked by a blue line. Connect the (+) terminals on both the amplifier and the speakers using this blue-marked side. Connect the (-) terminals on both components using the unmarked side of the cable.
- Connect one speaker to the left (marked L) terminals of your amplifier, and another speaker to the right (marked R) terminals, making sure not to reverse the polarity (+, -). If one speaker is connected with reversed polarity, the sound will be unnatural and lack bass.

Procedures:

- ① Press the tab on the terminal down, as shown in the figure.
- ② Insert the bare wire end properly into the terminal hole. [Remove approx. 5 mm (1/4") insulation from the speaker cable.]
- ③ Remove your finger from the tab to allow it to lock snugly on the cable's wire end.
- ④ Test the security of the connection by tugging lightly on the cable at the terminal.



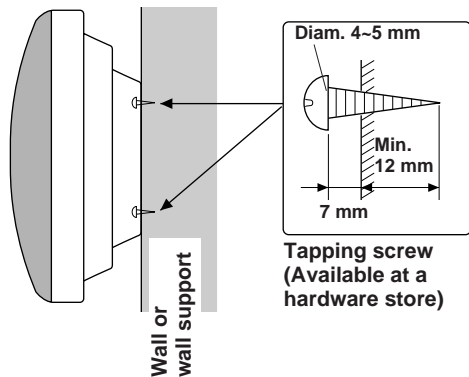
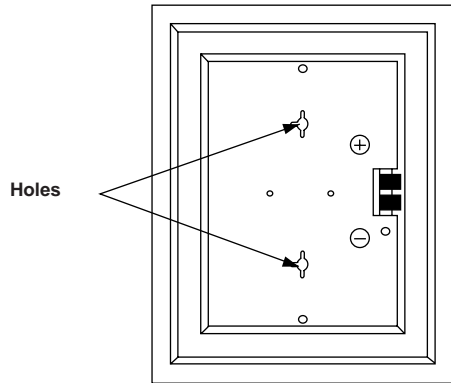
Note

Do not let the bare speaker wires touch each other as this could damage the speaker and/or the amplifier.

SETTING UP THE SPEAKERS

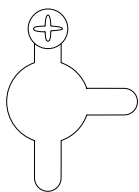
■ Mounting the speakers on a wall

The speakers may be mounted on a wall by using the holes provided on the speakers' back panels. Fasten wood screws into a firm wall or wall support as shown in the diagram, and hang the holes on the protruding screws.

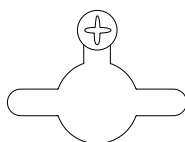


Make sure that the screw is caught by a narrow part of the hole securely.

Upright configuration

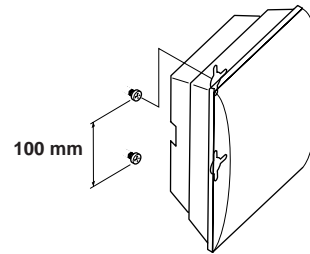


Side long configuration

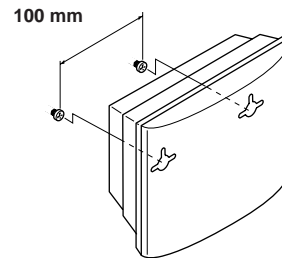


The holes on the speaker's back panels are arranged so that the speakers can be mounted in either of the two configurations shown by the following figures.

Upright configuration

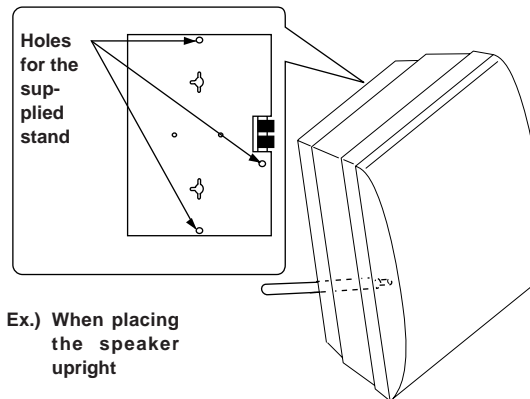


Side long configuration



■ Setting the speakers on a shelf or rack

As shown in the figure, the speakers may be stood in a vertical or horizontal configuration on a shelf or a rack, by putting a supplied stand into a hole on the back of each speaker.



WARNING:

- * Each speaker weighs 2 kg (4 lbs. 7 oz.). Do not mount them on thin plywood or soft wall surface material, as the screws may come out of the flimsy surface, causing the speakers to fall down and be damaged, or result in personal injury.
- * Do not fasten the speakers to walls with nails, adhesives, or other unsound hardware. Long-term use and vibrations may cause them to fall down.
- * To avoid accidents resulting from tripping over loose speaker cables, fix them to the wall.

SPECIFICATIONS

Type	2 way Bass-Reflex type
Speaker Unit.....	10 cm paper cone woofer (JA1075) 2.5 cm paper cone tweeter (JA05S4)
Input Terminal	Push-type
Nominal Impedance.....	6 ohms
Frequency Response	80 Hz – 20 kHz (–10 dB)
Nominal Input Power.....	50W
Music Input Power.....	200W
Sensitivity	90 dB/w/m
Crossover Frequency	
Tweeter (Low Cut)	6 kHz, 6 dB/oct.
Dimensions (WxHxD)	
.....	210 mm x 297 mm x 100 mm (8-1/4" x 11-1/16" x 3-15/16")
Weight.....	2 kg (4 lbs. 7 oz.)
Accessories.....	2 speaker cables (10m each) 2 stands

* Specifications subject to change without notice due to product improvements.